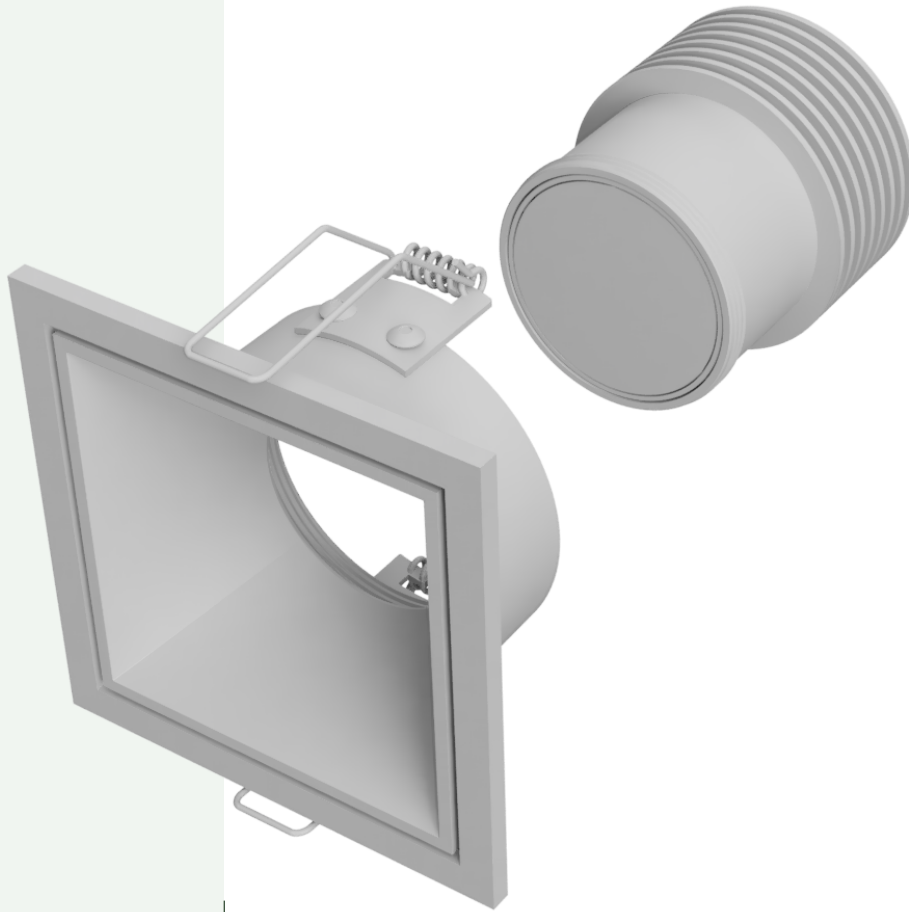


EVERON

lighting technologies

CONCEPT-E

SQUARE EDGE



- . 11 Watt
- . 884 lm
- . RA90+
- . Triac-dimmable
- . **12 POSSIBLE CONFIGURATIONS**

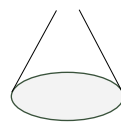
MODULE



25°



40°



2700 K



warm white

daylight

3000 K

RING

BLACK



WHITE



Everon lighting technologies

De Lange Beemden 17, 3550 Heusden-Zolder

www.everon-lighting.eu