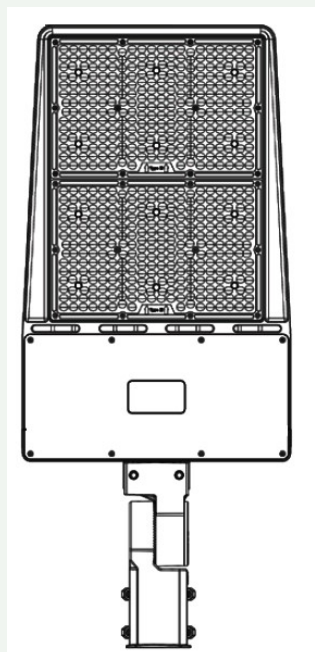


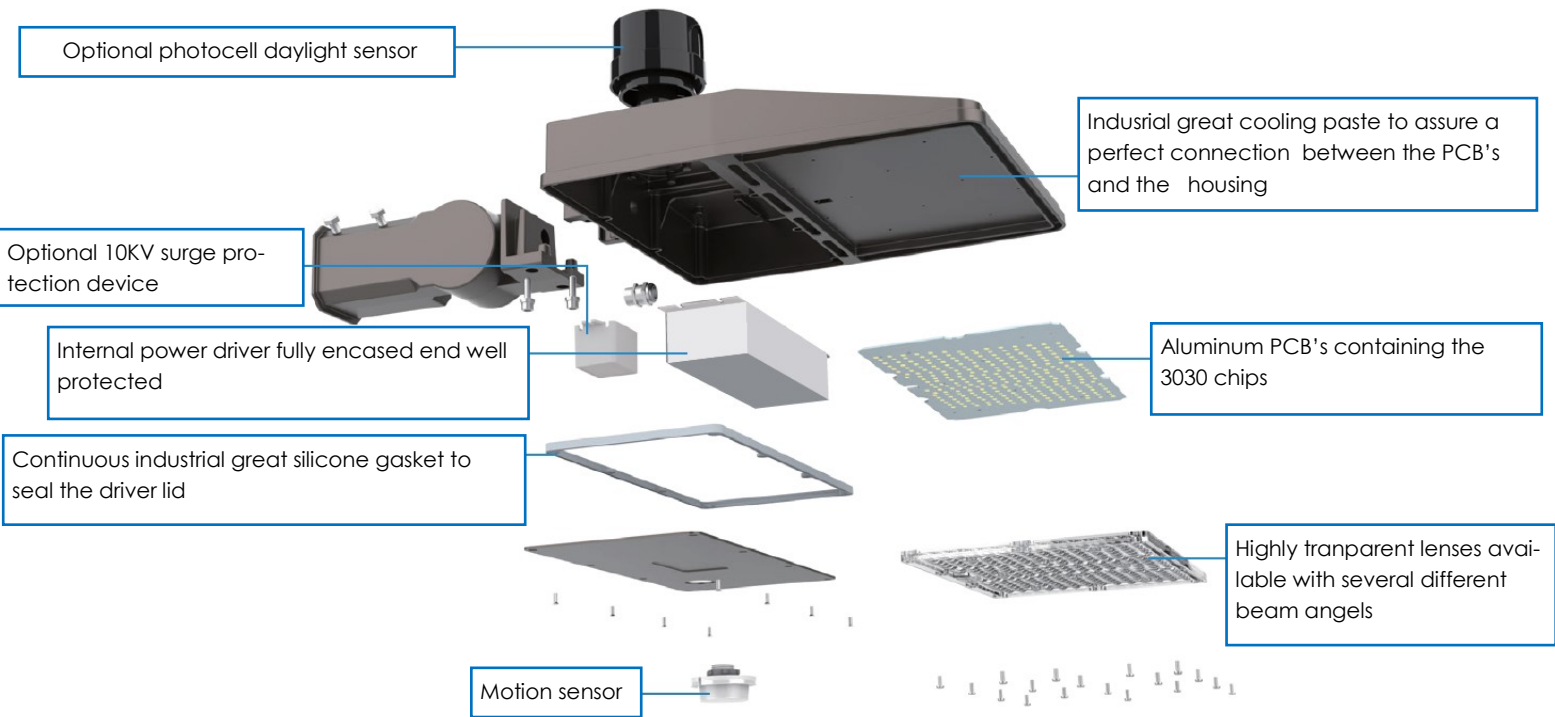
STRADA



- 60 / 100 / 150 / 200 / 240 / 300 Watt
- 3000/4000K
- Beam angel : Type3 , Type4 , Type5
- Optinal 0-10 v dimmable
- Optinal photocell
- Optinal motion sensor
- Optional 480 high volt driver

| | | | | | | |
|-----------------------------------|------------------|------------------|-----------------|-----------------|-----------------|-----------------|
| POWER | 60w | 100w | 150w | 200w | 240w | 300w |
| LUMEN OUTPUT 140Lm/w | 9000 Lm | 14000 Lm | 20000 Lm | 28000 Lm | 33600 Lm | 42000 Lm |
| LUMEN OUTPUT 160Lm/w | - | - | 24000 Lm | - | 38400 Lm | 48000 Lm |
| LIGHT COLOR | 3000 / 4000 K | | | | | |
| DIMENSIONS (l x b x h) | 530.5x260x 66 mm | 530.5x260x 66 mm | 580.5x310x66 mm | 580.5x310x66 mm | 766.5x330x77 mm | 766.5x330x77 mm |

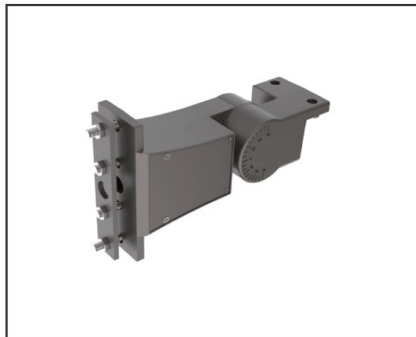
Exploded drawing :



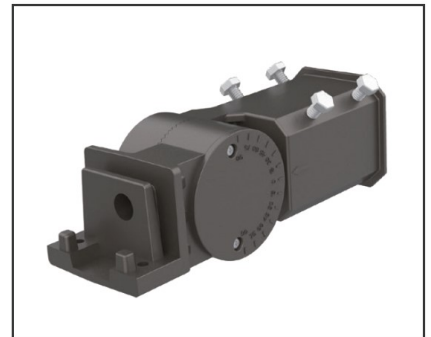
Optional accessories :



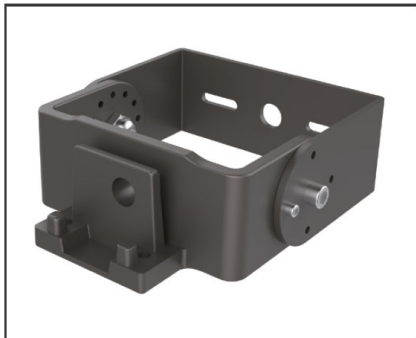
Round Pole Mount



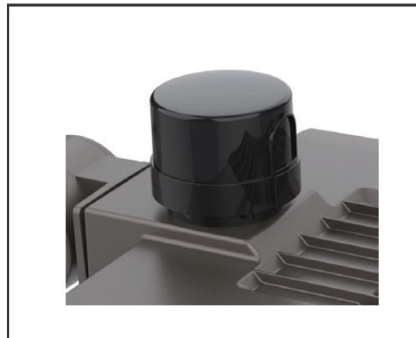
Square Pole Mount



Slip Fitter Mount



Yoke Mount

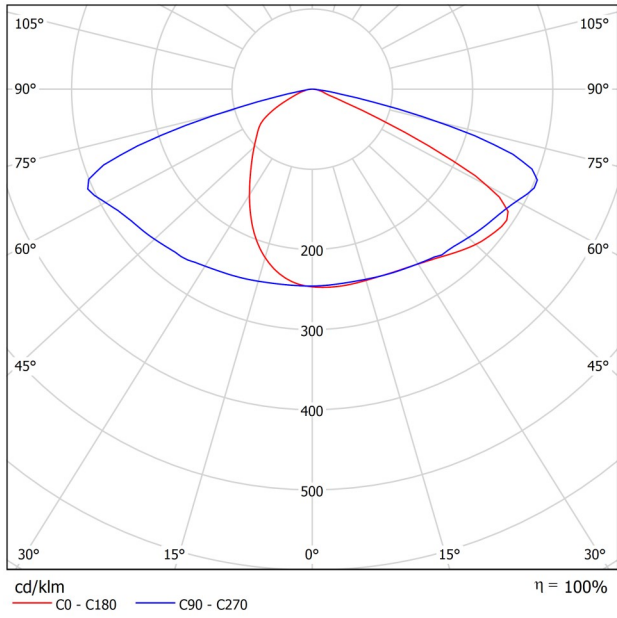


Photocell

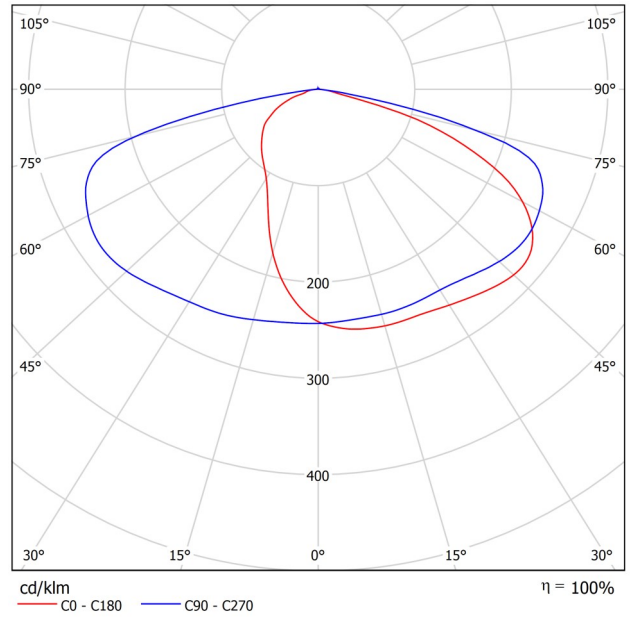


Microwave motion sensor 12V

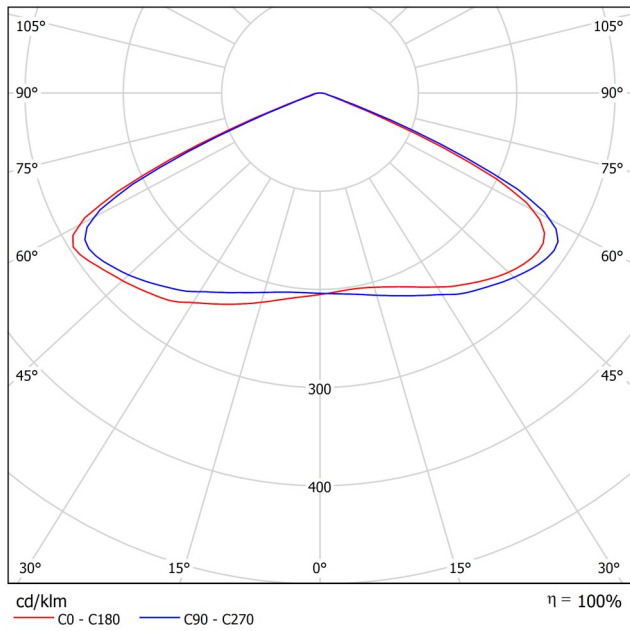
Light Distribution



TYPE 3



TYPE 4



TYPE 5