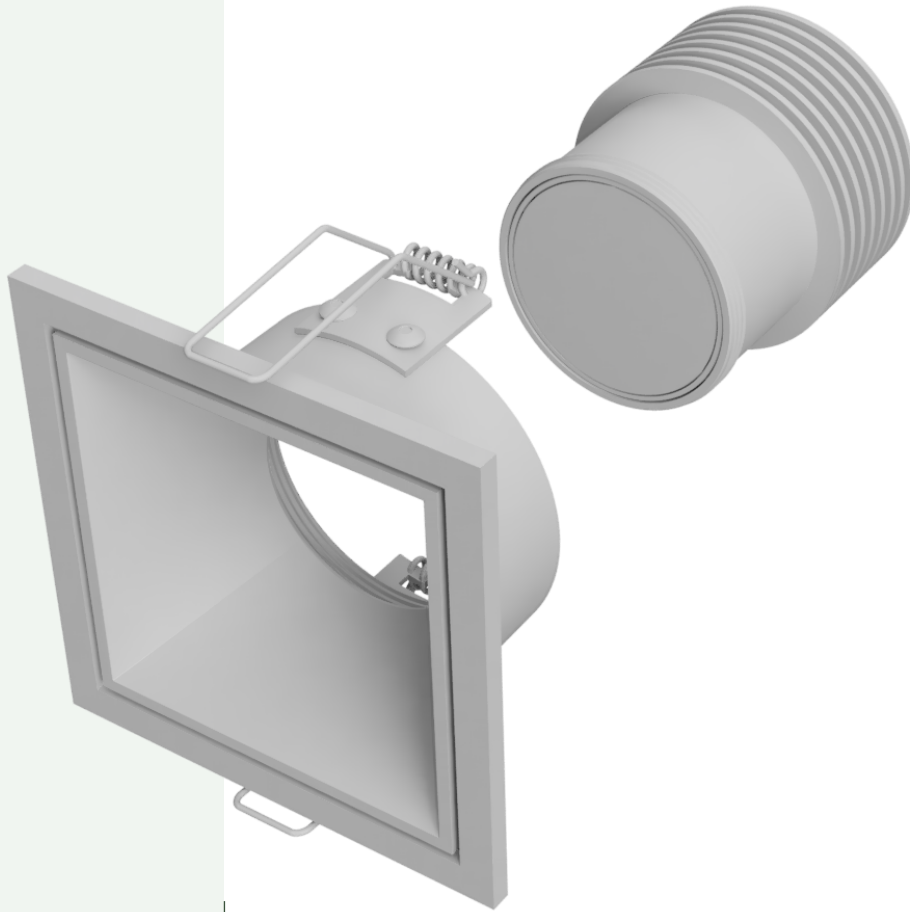


EVERON

lighting technologies

CONCEPT-E

SQUARE EDGE



- . 11 Watt
- . 884 lm
- . RA90+
- . Triac-dimmable
- . **8 POSSIBLE CONFIGURATIONS**

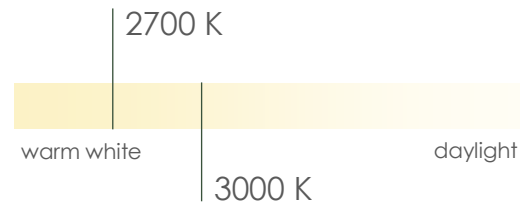
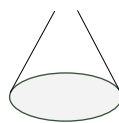
MODULE



25°



40°



BLACK



WHITE



RING

Everon lighting technologies

De Lange Beemden 17, 3550 Heusden-Zolder

[www.everon-lighting.eu](http://www.everon-lighting.eu)