

LINEAR

PLF-NG



36W/m



3000K/
4000K



4500 lm/m



110°



dimmable
DALI

TECHNICAL FEATURES

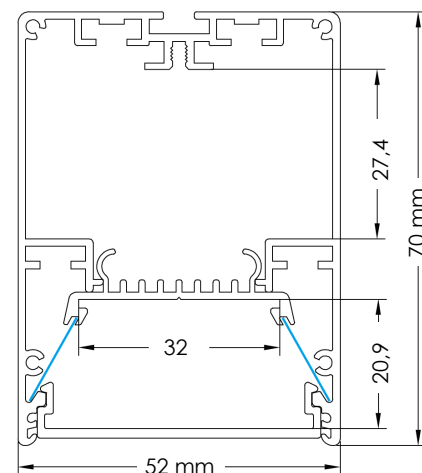
Power	36W/m
Input current	100-240 Vac
Dimmable	DALI, optional 0/1-10V
IP rating	IP20, optional IP65
Max. amb. Temp.	45°C
Installation	Recessed Surface mounted Wall mounted Pendant

LIGHTING CHARACTERISTICS

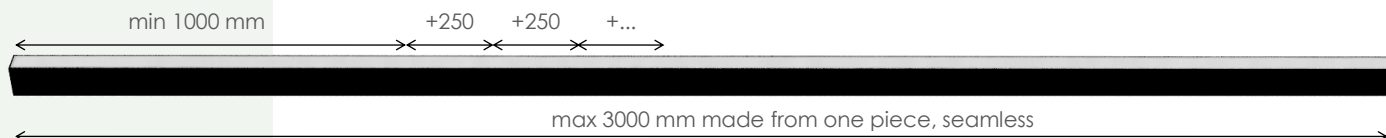
Light color	3000/4000K
Beam angle	110°
CRI	RA90+
Lumen output	4500 lm/m
UGR	<19
LEDtype	SEOUL semiconductor
Lifetime	L80B10 50000h
SDCM	3

MEASUREMENTS AND MATERIAL FEATURES

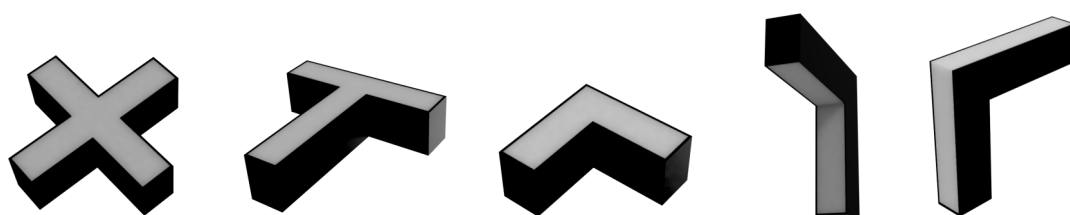
Measurements	52 mm x 90 mm x L L = min 1000mm, max 3000mm
Material housing	aluminium
Housing color	White/black
Material cover	PC



1. CHOOSE YOUR LINEAR LENGTH

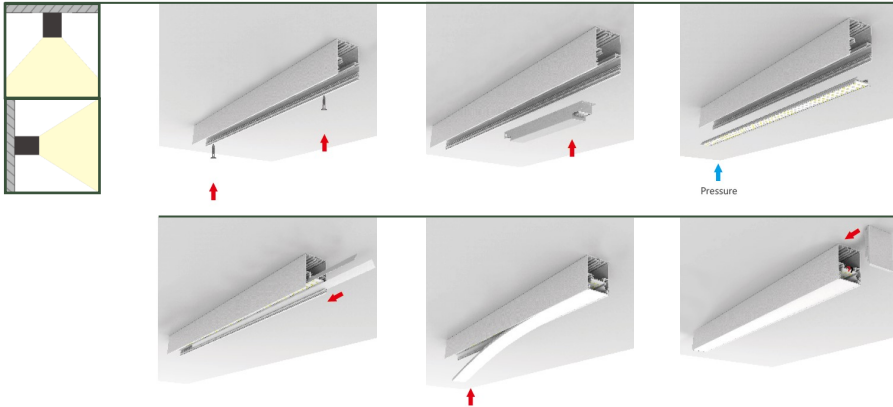


2. CHOOSE YOUR CONNECTORS

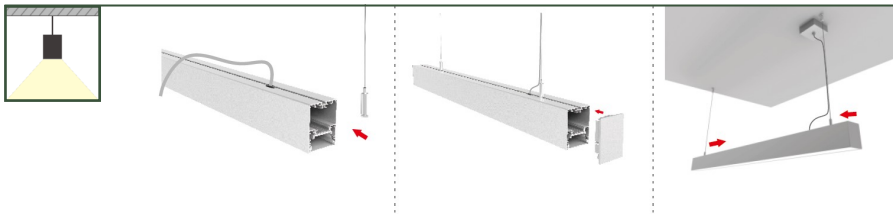


INSTALLATION

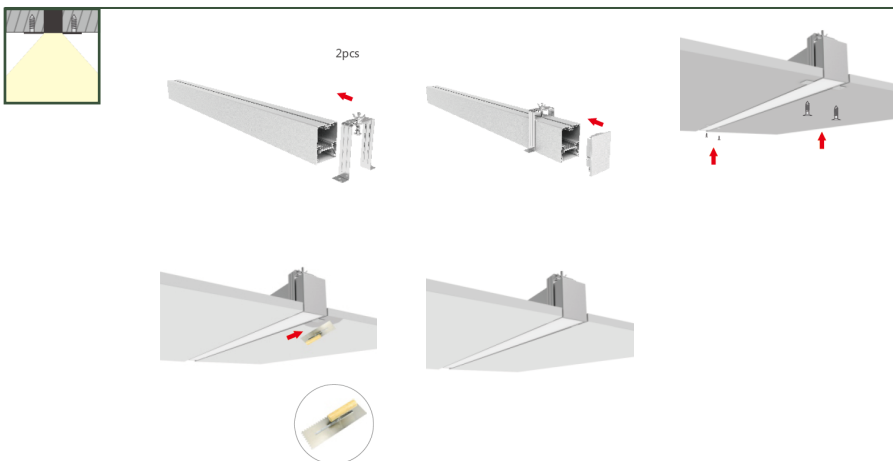
MOUNTED



PENDANT



RECESSED



PRODUCTTYPE	LENGTH	POWER	LIGHT COLOR	HOUSING	DIMMABLE	OPTIONAL	OPTIONAL
EE- PLF	2770 /	99 -	40	B -	DA -	EM	L1
PROFILE LINEAR	2770mm	WATT	4000K	BLACK/WHITE	DALI	EMERGENCY UNIT	1 SIDE LINKABLE

SUMMARY PRODUCTCODES PLFNG:

EE-PLF1020/36-30	1020mm	36W	3000K
EE-PLF1020/36-40	1020mm	36W	4000K
EE-PLF1270/45-30	1270mm	45W	3000K
EE-PLF1270/45-40	1270mm	45W	4000K
EE-PLF1520/54-30	1520mm	54W	3000K
EE-PLF1520/54-40	1520mm	54W	4000K
EE-PLF1770/63-30	1770mm	63W	3000K
EE-PLF1770/63-40	1770mm	63W	4000K
EE-PLF2020/72-30	2020mm	72W	3000K
EE-PLF2020/72-40	2020mm	72W	4000K
EE-PLF2270/81-30	2270mm	81W	3000K
EE-PLF2270/81-40	2270mm	81W	4000K
EE-PLF2520/90-30	2520mm	90W	3000K
EE-PLF2520/90-40	2520mm	90W	4000K
EE-PLF2770/99-30	2770mm	99W	3000K
EE-PLF2770/99-40	2770mm	99W	4000K
EE-PLF3020/108-30	3020mm	108W	3000K
EE-PLF3020/108-40	3020mm	108W	4000K