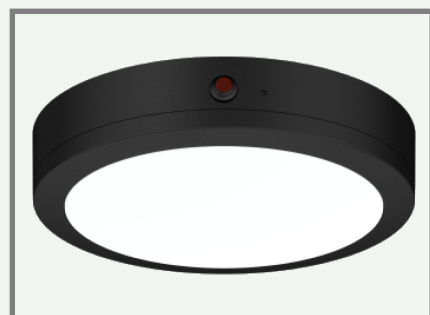
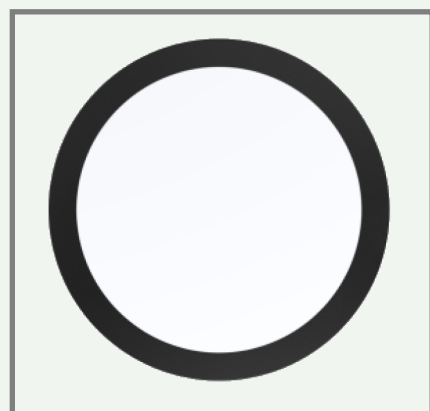


PIATTO

EE-PO3-18/250



18W



3000/
4000K



1780 lm



110°



Optional
dimmable

TECHNICAL FEATURES

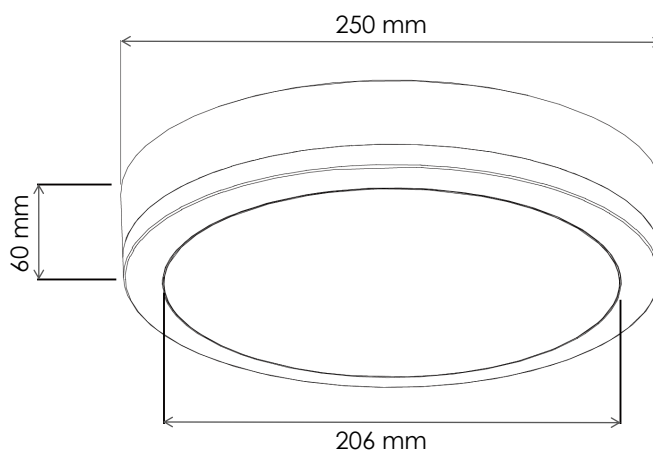
Power	18 W
Input current	AC 230V
IP rating	IP65
IK rating	IK10
Dimmable	Optional Triac/Dali/0-10V
Versions	Standard Adjustable sensor Emergency unit Adj. Sensor + Em. unit

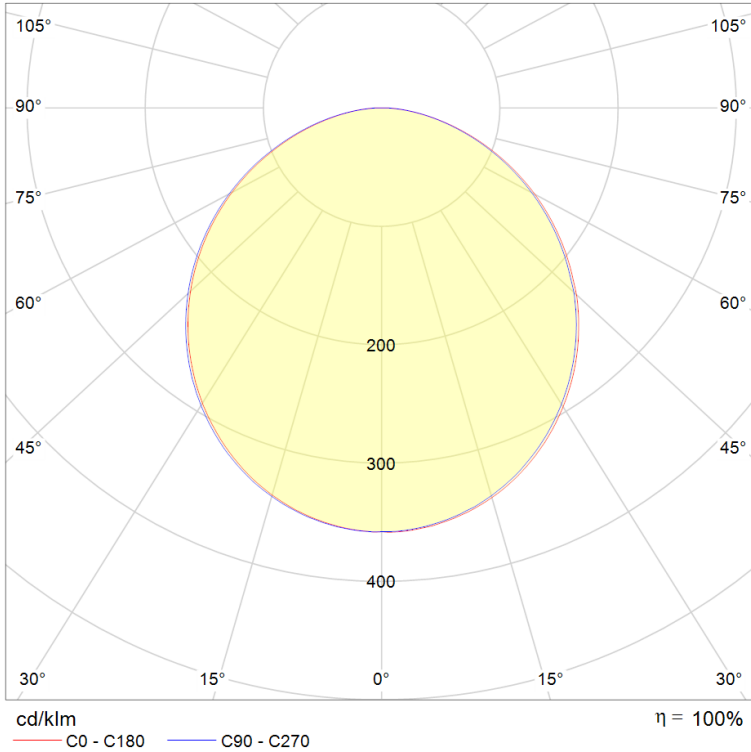
LIGHTING CHARACTERISTICS

Light color	3000/4000K
Beam angle	110°
CRI	RA80
Lumen output	1780 lm
LEDtype	SMD
Lifetime	L70B50 50000h
SDCM	<6

MEASUREMENTS AND MATERIAL FEATURES

Measurements	250 x 60 mm
Material	Polycarbonate housing Polycarbonate diffuser
Color	White/black





P03-18/250

PRODUCTTYPE	POWER	DIAMETER	COLOR	LIGHT COLOR	OPTIONAL
EE- P03 - 18 / 250 B / 30 S	18 W	250 MM	BLACK	KELVIN	S = SENSOR E = EMERGENCY UNIT SE = SENSOR + EM. UNIT
PLAFFONIER					

EE-P03-18/250B/30	18W, 250cm, Black, 3000K
EE-P03-18/250B/30S	18W, 250cm, Black, 3000K, sensor
EE-P03-18/250B/30E	18W, 250cm, Black, 3000K, em.unit
EE-P03-18/250B/30SE	18W, 250cm, Black, 3000K, sensor+em.unit
EE-P03-18/250W/30	18W, 250cm, White, 3000K
EE-P03-18/250W/30S	18W, 250cm, White, 3000K, sensor
EE-P03-18/250W/30E	18W, 250cm, White, 3000K, em.unit
EE-P03-18/250W/30SE	18W, 250cm, White, 3000K, sensor+em.unit
EE-P03-18/250B/40	18W, 250cm, Black, 4000K
EE-P03-18/250B/40S	18W, 250cm, Black, 4000K, sensor
EE-P03-18/250B/40E	18W, 250cm, Black, 4000K, em.unit
EE-P03-18/250B/40SE	18W, 250cm, Black, 4000K, sensor+em.unit
EE-P03-18/250W/40	18W, 250cm, White, 4000K
EE-P03-18/250W/40S	18W, 250cm, White, 4000K, sensor
EE-P03-18/250W/40E	18W, 250cm, White, 4000K, em.unit
EE-P03-18/250W/40SE	18W, 250cm, White, 4000K, sensor+em.unit