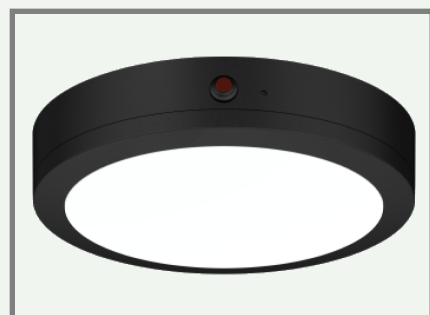
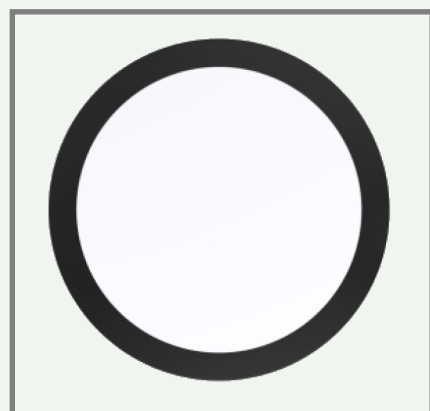


PIATTO

EE-PO3-25/300



25W



3000/
4000K



2480 lm



110°



Optional
dimmable

TECHNICAL FEATURES

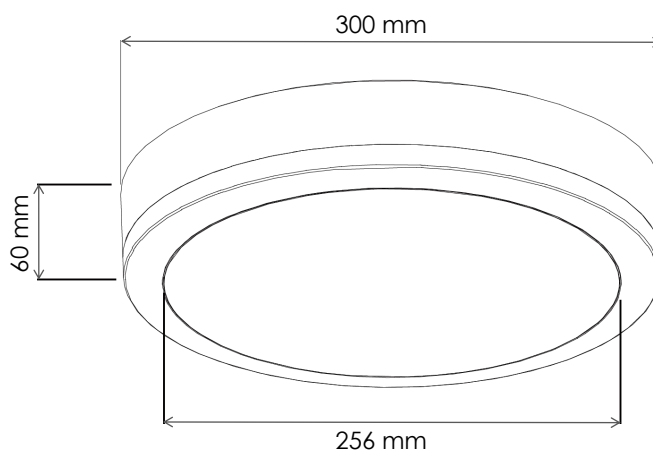
Power	25 W
Input current	AC 230V
IP rating	IP65
IK rating	IK10
Dimmable	Optional Triac/Dali/0-10V
Versions	Standard Adjustable sensor Emergency unit Adj. Sensor + Em. unit

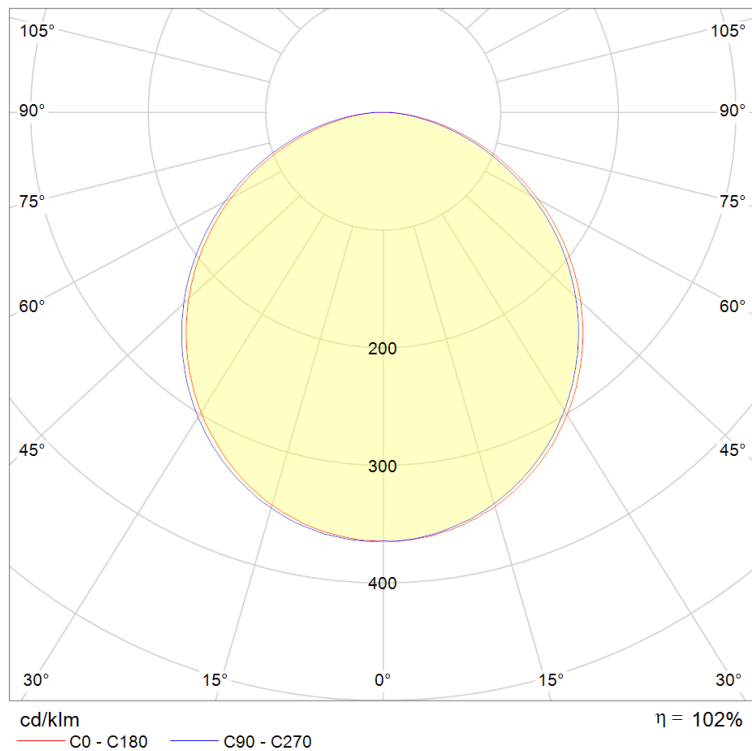
LIGHTING CHARACTERISTICS

Light color	3000/4000K
Beam angle	110°
CRI	RA80
Lumen output	2480 lm
LEDtype	SMD
Lifetime	L70B50 50000h
SDCM	<6

MEASUREMENTS AND MATERIAL FEATURES

Measurements	300 x 60 mm
Material	Polycarbonate housing Polycarbonate diffuser
Color	White/black





P03-25/300

PRODUCTTYPE	POWER	DIAMETER	COLOR	LIGHT COLOR	OPTIONAL
EE- P03 - 25 / 300 B / 30 S					
PLAFFONIER	25 W	300 MM	BLACK	KELVIN	S = SENSOR E = EMERGENCY UNIT SE = SENSOR + EM. UNIT

SUMMARY PRODUCTCODES P03-25/300:

EE-P03-25/300B/30	EE-P03-25/300W/30	EE-P03-25/300B/40	EE-P03-25/300W/40
EE-P03-25/300B/30S	EE-P03-25/300W/30S	EE-P03-25/300B/40S	EE-P03-25/300W/40S
EE-P03-25/300B/30E	EE-P03-25/300W/30E	EE-P03-25/300B/40E	EE-P03-25/300W/40E
EE-P03-25/300B/30SE	EE-P03-25/300W/30SE	EE-P03-25/300B/40SE	EE-P03-25/300W/40SE

EE-P03-25/300B/30	25W, 300cm, Black, 3000K
EE-P03-25/300B/30S	25W, 300cm, Black, 3000K, sensor
EE-P03-25/300B/30E	25W, 300cm, Black, 3000K, em.unit
EE-P03-25/300B/30SE	25W, 300cm, Black, 3000K, sensor+em.unit
EE-P03-25/300W/30	25W, 300cm, White, 3000K
EE-P03-25/300W/30S	25W, 300cm, White, 3000K, sensor
EE-P03-25/300W/30E	25W, 300cm, White, 3000K, em.unit
EE-P03-25/300W/30SE	25W, 300cm, White, 3000K, sensor+em.unit
EE-P03-25/300B/40	25W, 300cm, Black, 4000K
EE-P03-25/300B/40S	25W, 300cm, Black, 4000K, sensor
EE-P03-25/300B/40E	25W, 300cm, Black, 4000K, em.unit
EE-P03-25/300B/40SE	25W, 300cm, Black, 4000K, sensor+em.unit
EE-P03-25/300W/40	25W, 300cm, White, 4000K
EE-P03-25/300W/40S	25W, 300cm, White, 4000K, sensor
EE-P03-25/300W/40E	25W, 300cm, White, 4000K, em.unit
EE-P03-25/300W/40SE	25W, 300cm, White, 4000K, sensor+em.unit