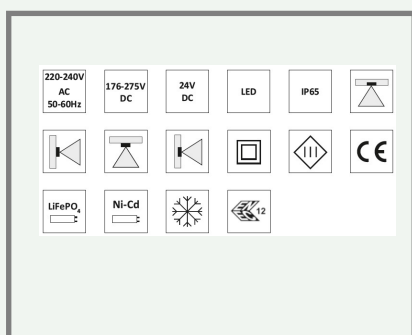
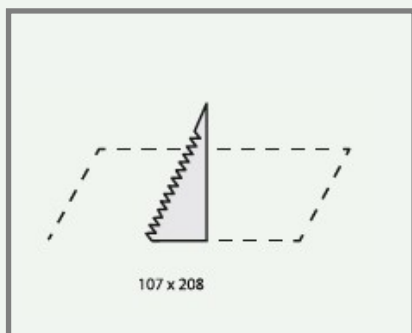
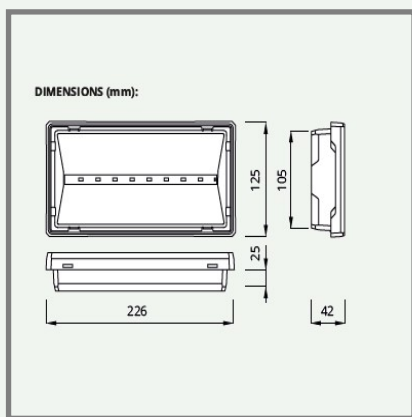


EMERGENCY ESCAPE LIGHTING EXIT S



Materials

<b>Body</b>	White , grey or black poly-carbonate body
<b>Cover</b>	Transperent polycarbonate

Power Supply

<b>Self contained</b>	220-240VAC/50-60HZ
<b>Central battery</b>	220-240VAC /50-60Hz ; 176-275VDC

<b>Central battery</b>	FZLV-24VDC
------------------------	------------

Autonomy and Batteries

<b>Basic</b>	1h or 3h, Ni-cd 3.6v batte-
<b>Standard</b>	1h or 3h, Ni-cd 3.6v batte-
<b>Premium</b>	1h or 3h, LiFePo <sub>4</sub> 6.4V batte-ries

Options

<b>SE</b>	Non maintained
<b>SA</b>	Maintained
<b>PT</b>	Manual test button
<b>AT</b>	autotest
<b>RU</b>	Rubic UNA central moni-oring
<b>RW</b>	Rubic UNA wireless central
<b>FZLV</b>	Central battery FZLV 24VDC
<b>CB</b>	Central battery

Light source

<b>LED</b>	1w, 2w, 3w
------------	------------

Mounting

<b>surface</b>	Wall , ceiling
<b>Optionaly recessed</b>	Wall , ceiling
<b>Optionaly pendant</b>	ceiling

Charging

<b>Basic</b>	Max. 24h
<b>Standard</b>	Max. 24h
<b>Premium</b>	Max. 12h ; energy-saving electronic charger

<b>Ambient temerature</b>	0° - 40°
---------------------------	----------

<b>IP Rating</b>	IP65
------------------	------

<b>Insulation Class</b>	II or III
-------------------------	-----------

<b>Dimensions(mm)</b>	226x125x42
-----------------------	------------

<b>Recessing Cut (mm)</b>	107x208
---------------------------	---------

Additional information

LED indicator signalizes mains powers supply and battery charging  
 Deep discharge protection  
 Optional adaptation of the fixture for low tem- peratures up to -25° c  
 III class of insulation of FZLV version

**EMERGENCY ESCAPE LIGHTING**

**SELF-CONTAINED CONFIGURATION**

CODE	POWER	MODULE	AUTONOMY [h]	MODE	OPTIONS	COLOR
<b>BASIC</b>						
ETS ETSR ETSU	1W	E	1 3	SE	PT X	WH GR BL
<b>STANDARD</b>						
ETS ETSR ETSU	1W	C	1 3	SA	PT X	WH GR BL
ETS ETSR ETSU	2W	C	1 3	SA	PT X	WH GR BL
<b>PREMIUM</b>						
ETS ETSR ETSU	1W	B	1 3	SA	AT RU RW	WH GR BL
ETS ETSR ETSU	2W	B	1 3	SA	AT RU RW	WH GR BL
ETS ETSR ETSU	3W	B	1 3	SA	AT RU RW	WH GR BL

**OUTPUT IN EMERGENCY MODE**

POWER	OUTPUT [lm]		
	ETS	ETSR	ETSU
<b>BASIC</b>			
1W	125	125	135
<b>STANDARD</b>			
1W	125	125	135
2W	235	235	270
<b>PREMIUM</b>			
1W	130	130	150
2W	265	265	300
3W	360	360	425

**CENTRAL BATTERY CONFIGURATION - NON-ADDRESSABLE**

CODE	POWER	MODULE	SYSTEM	OPTIONS	COLOR
ETS ETSR ETSU	1W	F	CB	CBS X	WH GR BL
ETS ETSR ETSU	2W	F	CB	CBS X	WH GR BL
ETS ETSR ETSU	3W	F	CB	CBS X	WH GR BL

**OUTPUT IN EMERGENCY MODE**

POWER	OUTPUT [lm]		
	ETS	ETSR	ETSU
1W	130	130	150
2W	265	265	300
3W	360	360	425

**CENTRAL BATTERY CONFIGURATION - ADDRESSABLE**

CODE	POWER	MODULE	SYSTEM	OPTIONS	COLOR
ETS ETSR ETSU	1W	Z	CB	ADE ADP	WH GR BL
ETS ETSR ETSU	2W	Z	CB	ADE ADP	WH GR BL
ETS ETSR ETSU	3W	Z	CB	ADE ADP	WH GR BL

**OUTPUT IN EMERGENCY MODE**

POWER	OUTPUT [lm]		
	ETS	ETSR	ETSU
1W	130	130	150
2W	265	265	300
3W	360	360	425

**FZLV SYSTEM CONFIGURATION**

CODE	POWER	SYSTEM	COLOR
ETS ETSR ETSU	1W	FZLV	WH GR BL
ETS ETSR ETSU	2W	FZLV	WH GR BL
ETS ETSR ETSU	3W	FZLV	WH GR BL

**OUTPUT IN EMERGENCY MODE**

POWER	OUTPUT [lm]		
	ETS	ETSR	ETSU
1W	130	130	150
2W	265	265	300
3W	360	360	425

**LEGEND:**

- ETS – fitting EXIT S
- E – electronic gear for BASIC self-contained fittings
- C – electronic gear for STANDARD self-contained fittings
- B – electronic gear for PREMIUM self-contained fittings
- F – electronic gear for central battery fittings
- Z – electronic gear for addressable central battery fittings
- SE – non-maintained
- SA – maintained (with an option of connecting as non-maintained)
- PT – manual test button
- X – fitting without additional options
- AT – autotest
- RU – RUBIC UNA central monitoring system
- RW – RUBIC UNA Wireless central monitoring
- CB – central battery version
- CBS – central battery for circuit monitoring
- ADE – central battery with ADE address module
- ADP – central battery with ADP address module – SMART technology
- FZLV – central battery FZLV 24 VDC
- WH – white color
- GR – grey color
- BL – black color

