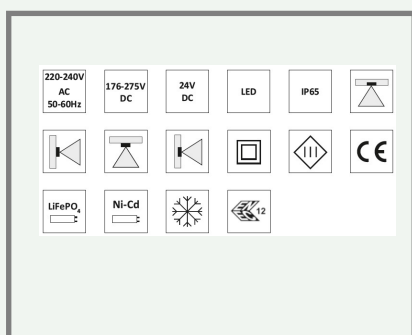
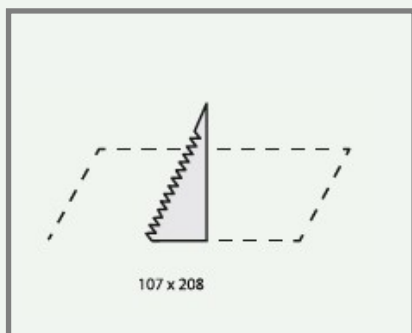
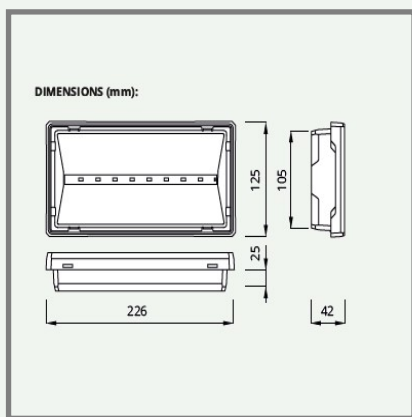


EMERGENCY ESCAPE LIGHTING EXIT S



Materials

Body	White, grey or black polycarbonate body
Cover	Transparent polycarbonate

Power Supply

Self contained	220-240VAC/50-60HZ
Central battery	220-240VAC /50-60Hz ; 176-275VDC

Central battery	FZLV-24VDC
------------------------	------------

Autonomy and Batteries

Basic	1h or 3h, Ni-cd 3.6v batte-
Standard	1h or 3h, Ni-cd 3.6v batte-
Premium	1h or 3h, LiFePo ₄ 6.4V batte- ries

Options

SE	Non maintained
SA	Maintained
PT	Manual test button
AT	autotest
RU	Rubic UNA central monitoring
RW	Rubic UNA wireless central
FZLV	Central battery FZLV 24VDC
CB	Central battery

Light source

LED	1w, 2w, 3w
------------	------------

Mounting

surface	Wall, ceiling
Optionally recessed	Wall, ceiling
Optionally pendant	ceiling

Charging

Basic	Max. 24h
Standard	Max. 24h
Premium	Max. 12h ; energy-saving electronic charger

Ambient temperature	0° - 40°
----------------------------	----------

IP Rating	IP65
------------------	------

Insulation Class	II or III
-------------------------	-----------

Dimensions(mm)	226x125x42
-----------------------	------------

Recessing Cut (mm)	107x208
---------------------------	---------

Additional information

LED indicator signalizes mains powers supply and battery charging
 Deep discharge protection
 Optional adaptation of the fixture for low temperatures up to -25° c
 III class of insulation of FZLV version

EMERGENCY ESCAPE LIGHTING

SELF-CONTAINED CONFIGURATION

CODE	POWER	MODULE	AUTONOMY [h]	MODE	OPTIONS	COLOR
BASIC						
ETS ETSR ETSU	1W	E	1 3	SE	PT X	WH GR BL
STANDARD						
ETS ETSR ETSU	1W	C	1 3	SA	PT X	WH GR BL
ETS ETSR ETSU	2W	C	1 3	SA	PT X	WH GR BL
PREMIUM						
ETS ETSR ETSU	1W	B	1 3	SA	AT RU RW	WH GR BL
ETS ETSR ETSU	2W	B	1 3	SA	AT RU RW	WH GR BL
ETS ETSR ETSU	3W	B	1 3	SA	AT RU RW	WH GR BL

OUTPUT IN EMERGENCY MODE

POWER	OUTPUT [lm]		
	ETS	ETSR	ETSU
BASIC			
1W	125	125	135
STANDARD			
1W	125	125	135
2W	235	235	270
PREMIUM			
1W	130	130	150
2W	265	265	300
3W	360	360	425

CENTRAL BATTERY CONFIGURATION - NON-ADDRESSABLE

CODE	POWER	MODULE	SYSTEM	OPTIONS	COLOR
ETS ETSR ETSU	1W	F	CB	CBS X	WH GR BL
ETS ETSR ETSU	2W	F	CB	CBS X	WH GR BL
ETS ETSR ETSU	3W	F	CB	CBS X	WH GR BL

OUTPUT IN EMERGENCY MODE

POWER	OUTPUT [lm]		
	ETS	ETSR	ETSU
1W	130	130	150
2W	265	265	300
3W	360	360	425

CENTRAL BATTERY CONFIGURATION - ADDRESSABLE

CODE	POWER	MODULE	SYSTEM	OPTIONS	COLOR
ETS ETSR ETSU	1W	Z	CB	ADE ADP	WH GR BL
ETS ETSR ETSU	2W	Z	CB	ADE ADP	WH GR BL
ETS ETSR ETSU	3W	Z	CB	ADE ADP	WH GR BL

OUTPUT IN EMERGENCY MODE

POWER	OUTPUT [lm]		
	ETS	ETSR	ETSU
1W	130	130	150
2W	265	265	300
3W	360	360	425

FZLV SYSTEM CONFIGURATION

CODE	POWER	SYSTEM	COLOR
ETS ETSR ETSU	1W	FZLV	WH GR BL
ETS ETSR ETSU	2W	FZLV	WH GR BL
ETS ETSR ETSU	3W	FZLV	WH GR BL

OUTPUT IN EMERGENCY MODE

POWER	OUTPUT [lm]		
	ETS	ETSR	ETSU
1W	130	130	150
2W	265	265	300
3W	360	360	425

LEGEND:

- ETS – fitting EXIT S
- E – electronic gear for BASIC self-contained fittings
- C – electronic gear for STANDARD self-contained fittings
- B – electronic gear for PREMIUM self-contained fittings
- F – electronic gear for central battery fittings
- Z – electronic gear for addressable central battery fittings
- SE – non-maintained
- SA – maintained (with an option of connecting as non-maintained)
- PT – manual test button
- X – fitting without additional options
- AT – autotest
- RU – RUBIC UNA central monitoring system
- RW – RUBIC UNA Wireless central monitoring
- CB – central battery version
- CBS – central battery for circuit monitoring
- ADE – central battery with ADE address module
- ADP – central battery with ADP address module – SMART technology
- FZLV – central battery FZLV 24 VDC
- WH – white color
- GR – grey color
- BL – black color

