

11W



2700K/
3000K



884 lm



25°/40°



dimmable
TRIAC

TECHNICAL FEATURES

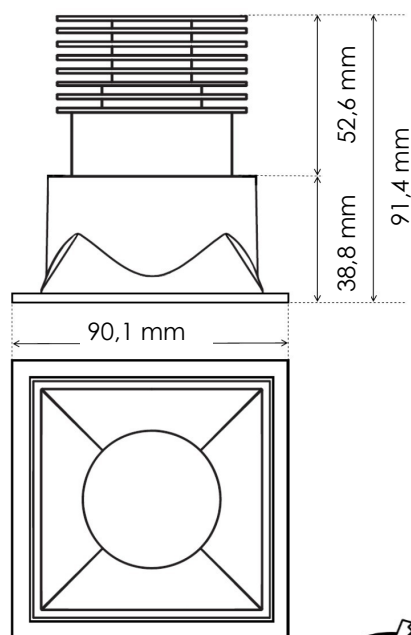
Power	11W
Input current	100-240 Vac
Dimmable	Triac, optional Dali
IP rating	40
Max. amb. Temp.	45°C

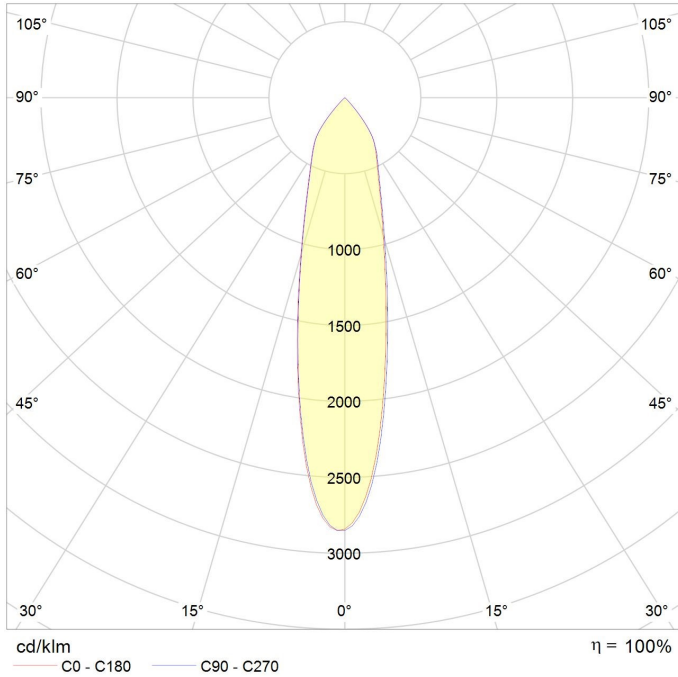
LIGHTING CHARACTERISTICS

Light color	2700/3000K
Beam angle	25°/40°
CRI	RA90+
Lumen output	884lm
LEDtype	CREE
Lifetime	L80B10 50000h
SDCM	3

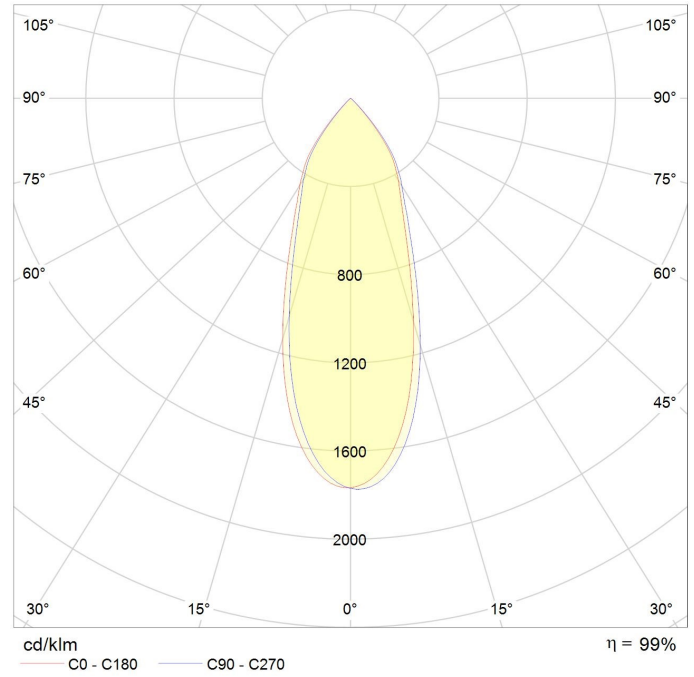
MEASUREMENTS AND MATERIAL FEATURES

Measurements	91,4 x 90,1 mm
Material	aluminium
Color	black/white





CESQ11 - beam angle 25°



CESQ11 - beam angle 40°

PRODUCTTYPE	POWER	LIGHT COLOR	BEAM ANGLE	COLOR
EE- CESQ	11 / 27	25	B	
CONCEPT E SQUARE EDGE	WATT	KELVIN	°	BLACK/WHITE

. SQUARE EDGE

EE-CESQ11/27-25B	Square Edge 11W 2700°K 25° Zwart
EE-CESQ11/27-25W	Square Edge 11W 2700°K 25° Wit
EE-CESQ11/27-40B	Square Edge 11W 2700°K 40° Zwart
EE-CESQ11/27-40W	Square Edge 11W 2700°K 40° Wit
EE-CESQ11/30-25B	Square Edge 11W 3000°K 25° Zwart
EE-CESQ11/30-25W	Square Edge 11W 3000°K 25° Wit
EE-CESQ11/30-40B	Square Edge 11W 3000°K 40° Zwart
EE-CESQ11/30-40W	Square Edge 11W 3000°K 40° Wit

. SQUARE EDGE DALI

EE-CESQ11/27-25B-DA	Square Edge 11W 2700°K 25° Zwart, Dali
EE-CESQ11/27-25W-DA	Square Edge 11W 2700°K 25° Wit, Dali
EE-CESQ11/27-40B-DA	Square Edge 11W 2700°K 40° Zwart, Dali
EE-CESQ11/27-40W-DA	Square Edge 11W 2700°K 40° Wit, Dali
EE-CESQ11/30-25B-DA	Square Edge 11W 3000°K 25° Zwart, Dali
EE-CESQ11/30-25W-DA	Square Edge 11W 3000°K 25° Wit, Dali
EE-CESQ11/30-40B-DA	Square Edge 11W 3000°K 40° Zwart, Dali
EE-CESQ11/30-40W -DA	Square Edge 11W 3000°K 40° Wit, Dali