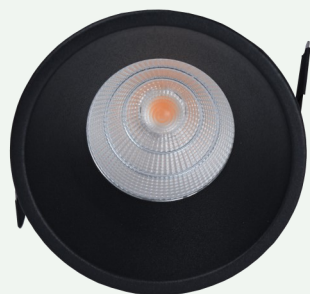


CONCEPT E

Narrow edge

EE-CENE 11



FIXED



FIXED



ADJUSTABLE



ADJUSTABLE



11W



2700K/
3000K



884 lm



25°/40°



Dimmable
TRIAC

TECHNICAL FEATURES

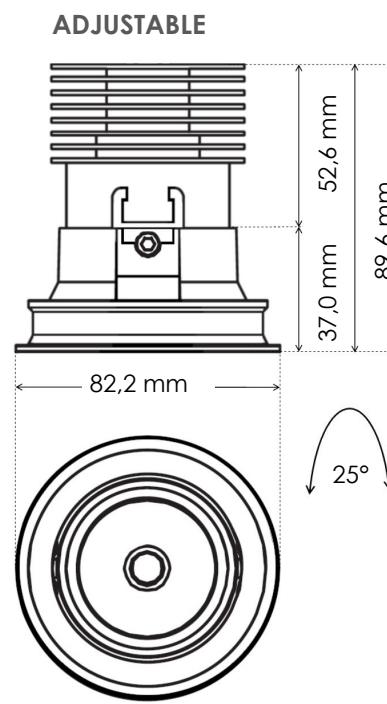
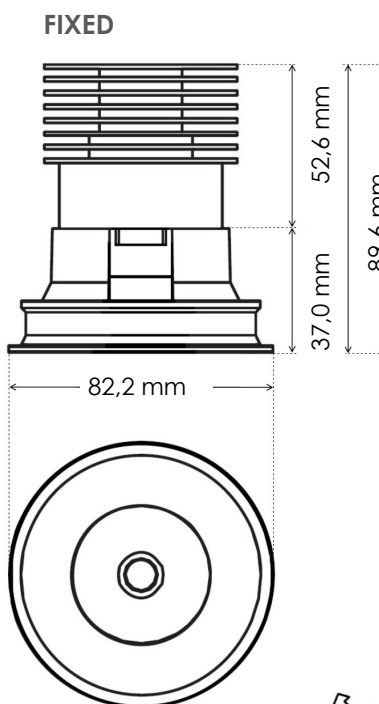
Power	11W
Input current	100-240 Vac
Dimmable	Triac, optional Dali
IP rating	40
Max. amb. Temp.	45°C

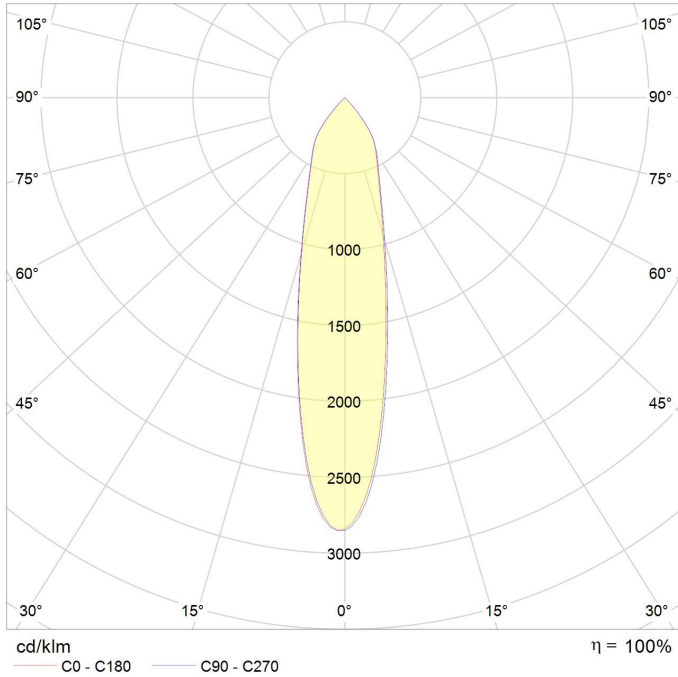
LIGHTING CHARACTERISTICS

Light color	2700/3000K
Beam angle	25°/40°
CRI	RA90+
Lumen output	884lm
LEDtype	CREE
Lifetime	L80B10 50000h
SDCM	3

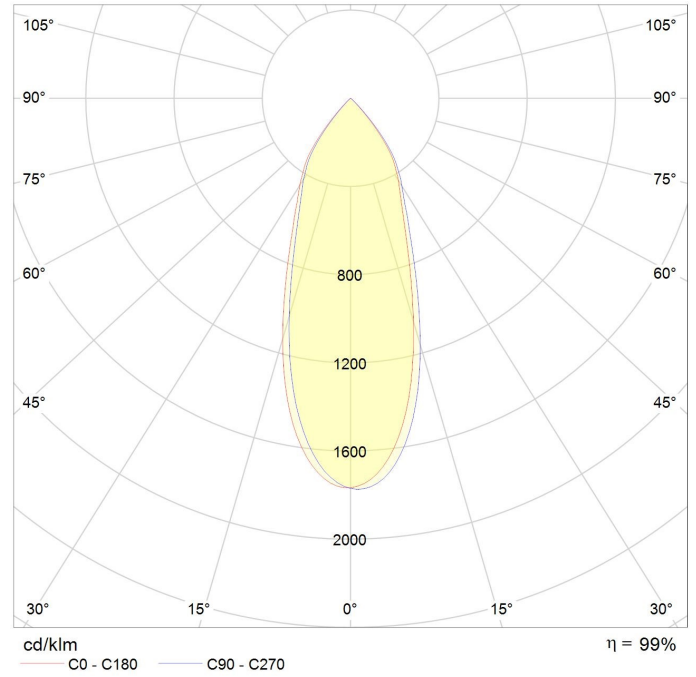
MEASUREMENTS AND MATERIAL FEATURES

Measurements	89,6 x 82,2 mm
Material	aluminium
Color	black/white
Adjustable	Optional





CENE11 - beam angle 25°



CENE11 - beam angle 40°

PRODUCTTYPE	POWER	LIGHT COLOR	BEAM ANGLE	COLOR
EE- CENE(A)	11	/ 27	- 25	B
CONCEPT E NARROW EDGE (ADJUSTABLE)	WATT	KELVIN	°	BLACK/WHITE

. NARROW EDGE

EE-CENE11/27-25B	Narrow Edge 11W 2700°K 25° Zwart
EE-CENE11/27-40B	Narrow Edge 11W 2700°K 40° Zwart
EE-CENE11/27-25W	Narrow Edge 11W 2700°K 25° Wit
EE-CENE11/27-40W	Narrow Edge 11W 2700°K 40° Wit
EE-CENE11/30-25W	Narrow Edge 11W 3000°K 25° Wit
EE-CENE11/30-40W	Narrow Edge 11W 3000°K 40° Wit
EE-CENE11/30-25B	Narrow Edge 11W 3000°K 25° Zwart
EE-CENE11/30-40B	Narrow Edge 11W 3000°K 40° Zwart

EE-CENEA11/27-25B	Narrow Edge Richtbaar 11W 2700°K 25° Zwart
EE-CENEA11/27-25W	Narrow Edge Richtbaar 11W 2700°K 25° Wit
EE-CENEA11/27-40B	Narrow Edge Richtbaar 11W 2700°K 40° Zwart
EE-CENEA11/27-40W	Narrow Edge Richtbaar 11W 2700°K 40° Wit
EE-CENEA11/30-25W	Narrow Edge Richtbaar 11W 3000°K 25° Wit
EE-CENEA11/30-25B	Narrow Edge Richtbaar 11W 3000°K 25° Zwart
EE-CENEA11/30-40W	Narrow Edge Richtbaar 11W 3000°K 40° Wit
EE-CENEA11/30-40B	Narrow Edge Richtbaar 11W 3000°K 40° Zwart

. NARROW EDGE IP54

EE-CENE11/27-25B-IP54	Narrow Edge 11W 2700°K 25° Zwart, IP54
EE-CENE11/27-40B-IP54	Narrow Edge 11W 2700°K 40° Zwart, IP54
EE-CENE11/27-25W-IP54	Narrow Edge 11W 2700°K 25° Wit, IP54
EE-CENE11/27-40W-IP54	Narrow Edge 11W 2700°K 40° Wit, IP54
EE-CENE11/30-25W-IP54	Narrow Edge 11W 3000°K 25° Wit, IP54
EE-CENE11/30-40W-IP54	Narrow Edge 11W 3000°K 40° Wit, IP54
EE-CENE11/30-25B-IP54	Narrow Edge 11W 3000°K 25° Zwart, IP54
EE-CENE11/30-40B-IP54	Narrow Edge 11W 3000°K 40° Zwart, IP54

. NARROW EDGE DALI

EE-CENE11/27-25B-DA	Narrow Edge 11W 2700°K 25° Zwart, Dali
EE-CENE11/27-40B-DA	Narrow Edge 11W 2700°K 40° Zwart, Dali
EE-CENE11/27-25W-DA	Narrow Edge 11W 2700°K 25° Wit, Dali
EE-CENE11/27-40W-DA	Narrow Edge 11W 2700°K 40° Wit, Dali
EE-CENE11/30-25W-DA	Narrow Edge 11W 3000°K 25° Wit, Dali
EE-CENE11/30-40W-DA	Narrow Edge 11W 3000°K 40° Wit, Dali
EE-CENE11/30-25B-DA	Narrow Edge 11W 3000°K 25° Zwart, Dali
EE-CENE11/30-40B-DA	Narrow Edge 11W 3000°K 40° Zwart, Dali

EE-CENEA11/27-25B-DA	Narrow Edge Richtbaar 11W 2700°K 25° Zwart, Dali
EE-CENEA11/27-25W-DA	Narrow Edge Richtbaar 11W 2700°K 25° Wit, Dali
EE-CENEA11/27-40B-DA	Narrow Edge Richtbaar 11W 2700°K 40° Zwart, Dali
EE-CENEA11/27-40W-DA	Narrow Edge Richtbaar 11W 2700°K 40° Wit, Dali
EE-CENEA11/30-25W-DA	Narrow Edge Richtbaar 11W 3000°K 25° Wit, Dali
EE-CENEA11/30-25B-DA	Narrow Edge Richtbaar 11W 3000°K 25° Zwart, Dali
EE-CENEA11/30-40W-DA	Narrow Edge Richtbaar 11W 3000°K 40° Wit, Dali
EE-CENEA11/30-40B-DA	Narrow Edge Richtbaar 11W 3000°K 40° Zwart, Dali

. NARROW EDGE DALI IP54

EE-CENE11/27-25B-DA-IP54	Narrow Edge 11W 2700°K 25° Zwart, Dali, IP54
EE-CENE11/27-40B-DA-IP54	Narrow Edge 11W 2700°K 40° Zwart, Dali, IP54
EE-CENE11/27-25W-DA-IP54	Narrow Edge 11W 2700°K 25° Wit, Dali, IP54
EE-CENE11/27-40W-DA-IP54	Narrow Edge 11W 2700°K 40° Wit, Dali, IP54
EE-CENE11/30-25W-DA-IP54	Narrow Edge 11W 3000°K 25° Wit, Dali, IP54
EE-CENE11/30-40W-DA-IP54	Narrow Edge 11W 3000°K 40° Wit, Dali, IP54
EE-CENE11/30-25B-DA-IP54	Narrow Edge 11W 3000°K 25° Zwart, Dali, IP54
EE-CENE11/30-40B-DA-IP54	Narrow Edge 11W 3000°K 40° Zwart, Dali, IP54