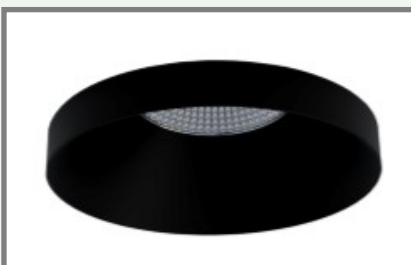
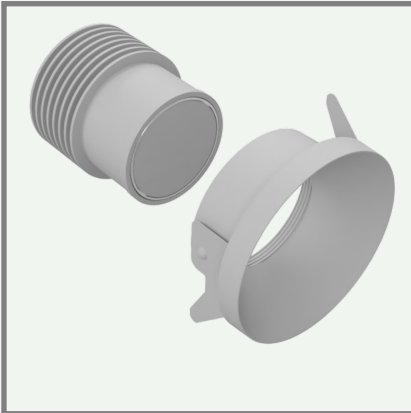


CONCEPT E

Standing edge EE-CEST11



11W



2700/3000K
DTW



884 lm



25°/40°



dimnable
TRIAC, Dali

TECHNICAL FEATURES

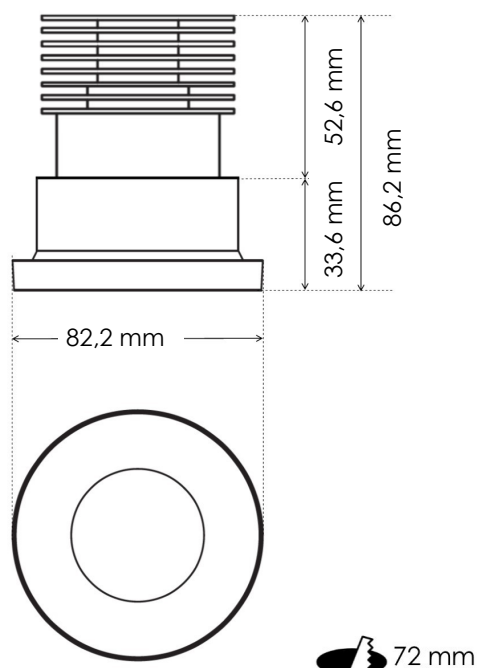
| | |
|-----------------|-------------|
| Power | 11W |
| Input current | 100-240 Vac |
| Dimmable | Triac, Dali |
| IP rating | 40 |
| Max. amb. Temp. | 45°C |

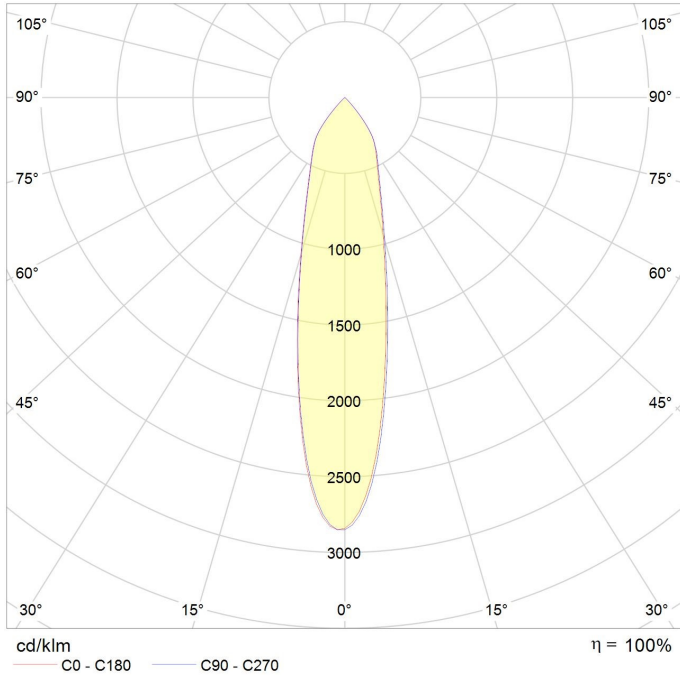
LIGHTING CHARACTERISTICS

| | |
|--------------|----------------------------------|
| Light color | 2700/3000K DTW (dim to warm) |
| Beam angle | 25°/40° |
| CRI | RA90+ |
| Lumen output | 884lm |
| LEDtype | CREE |
| Lifetime | L90B10 50000h |
| SDCM | 3 |

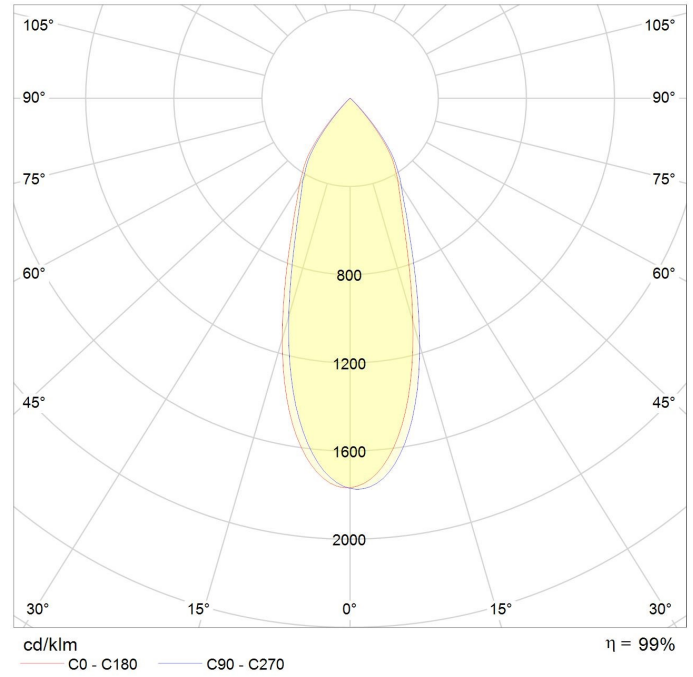
MEASUREMENTS AND MATERIAL FEATURES

| | |
|--------------|----------------|
| Measurements | 86,2 x 82,2 mm |
| Material | aluminium |
| Color | black/white |





CEST11 - beam angle 25°



CEST11 - beam angle 40°

| PRODUCTTYPE | POWER | LIGHT COLOR | BEAM ANGLE | COLOR |
|----------------------------|----------------|-------------|------------|-------------|
| EE- CEST | 11 / 27 | - 25 | B | |
| CONCEPT E STANDING EDGE | WATT | KELVIN | ° | BLACK/WHITE |

. STANDING EDGE

| | |
|-------------------|------------------------------------|
| EE-CEST11/27-25B | Standing Edge 11W 2700°K 25° Zwart |
| EE-CEST11/27-25W | Standing Edge 11W 2700°K 25° Wit |
| EE-CEST11/27-40B | Standing Edge 11W 2700°K 40° Zwart |
| EE-CEST11/27-40W | Standing Edge 11W 2700°K 40° Wit |
| EE-CEST11/30-25B | Standing Edge 11W 3000°K 25° Zwart |
| EE-CEST11/30-25W | Standing Edge 11W 3000°K 25° Wit |
| EE-CEST11/30-40B | Standing Edge 11W 3000°K 40° Zwart |
| EE-CEST11/30-40W | Standing Edge 11W 3000°K 40° Wit |
| EE-CEST11/DTW-25B | Standing Edge 11W DTW 25° Zwart |
| EE-CEST11/DTW-25W | Standing Edge 11W DTW 25° Wit |
| EE-CEST11/DTW-40B | Standing Edge 11W DTW 40° Zwart |
| EE-CEST11/DTW-40W | Standing Edge 11W DTW 40° Wit |

. STANDING EDGE IP54

| | |
|------------------------|--|
| EE-CEST11/27-25B-IP54 | Standing Edge 11W 2700°K 25° Zwart, IP54 |
| EE-CEST11/27-25W-IP54 | Standing Edge 11W 2700°K 25° Wit, IP54 |
| EE-CEST11/27-40B-IP54 | Standing Edge 11W 2700°K 40° Zwart, IP54 |
| EE-CEST11/27-40W-IP54 | Standing Edge 11W 2700°K 40° Wit, IP54 |
| EE-CEST11/30-25B-IP54 | Standing Edge 11W 3000°K 25° Zwart, IP54 |
| EE-CEST11/30-25W-IP54 | Standing Edge 11W 3000°K 25° Wit, IP54 |
| EE-CEST11/30-40B-IP54 | Standing Edge 11W 3000°K 40° Zwart, IP54 |
| EE-CEST11/30-40W-IP54 | Standing Edge 11W 3000°K 40° Wit, IP54 |
| EE-CEST11/DTW-25B-IP54 | Standing Edge 11W DTW 25° Zwart, IP54 |
| EE-CEST11/DTW-25W-IP54 | Standing Edge 11W DTW 25° Wit, IP54 |
| EE-CEST11/DTW-40B-IP54 | Standing Edge 11W DTW 40° Zwart, IP54 |
| EE-CEST11/DTW-40W-IP54 | Standing Edge 11W DTW 40° Wit, IP54 |

. STANDING EDGE DALI

| | |
|----------------------|--|
| EE-CEST11/27-25B-DA | Standing Edge 11W 2700°K 25° Zwart, Dali |
| EE-CEST11/27-25W-DA | Standing Edge 11W 2700°K 25° Wit, Dali |
| EE-CEST11/27-40B-DA | Standing Edge 11W 2700°K 40° Zwart, Dali |
| EE-CEST11/27-40W-DA | Standing Edge 11W 2700°K 40° Wit, Dali |
| EE-CEST11/30-25B-DA | Standing Edge 11W 3000°K 25° Zwart, Dali |
| EE-CEST11/30-25W-DA | Standing Edge 11W 3000°K 25° Wit, Dali |
| EE-CEST11/30-40B-DA | Standing Edge 11W 3000°K 40° Zwart, Dali |
| EE-CEST11/30-40W-DA | Standing Edge 11W 3000°K 40° Wit, Dali |
| EE-CEST11/DTW-25B-DA | Standing Edge 11W DTW 25° Zwart, Dali |
| EE-CEST11/DTW-25W-DA | Standing Edge 11W DTW 25° Wit, Dali |
| EE-CEST11/DTW-40B-DA | Standing Edge 11W DTW 40° Zwart, Dali |
| EE-CEST11/DTW-40W-DA | Standing Edge 11W DTW 40° Wit, Dali |

. STANDING EDGE DALI IP54

| | |
|---------------------------|--|
| EE-CEST11/27-25B-DA-IP54 | Standing Edge 11W 2700°K 25° Zwart, Dali, IP54 |
| EE-CEST11/27-25W-DA-IP54 | Standing Edge 11W 2700°K 25° Wit, Dali, IP54 |
| EE-CEST11/27-40B-DA-IP54 | Standing Edge 11W 2700°K 40° Zwart, Dali, IP54 |
| EE-CEST11/27-40W-DA-IP54 | Standing Edge 11W 2700°K 40° Wit, Dali, IP54 |
| EE-CEST11/30-25B-DA-IP54 | Standing Edge 11W 3000°K 25° Zwart, Dali, IP54 |
| EE-CEST11/30-25W-DA-IP54 | Standing Edge 11W 3000°K 25° Wit, Dali, IP54 |
| EE-CEST11/30-40B-DA-IP54 | Standing Edge 11W 3000°K 40° Zwart, Dali, IP54 |
| EE-CEST11/30-40W-DA-IP54 | Standing Edge 11W 3000°K 40° Wit, Dali, IP54 |
| EE-CEST11/DTW-25B-DA-IP54 | Standing Edge 11W DTW 25° Zwart, Dali, IP54 |
| EE-CEST11/DTW-25W-DA-IP54 | Standing Edge 11W DTW 25° Wit, Dali, IP54 |
| EE-CEST11/DTW-40B-DA-IP54 | Standing Edge 11W DTW 40° Zwart, Dali, IP54 |
| EE-CEST11/DTW-40W-DA-IP54 | Standing Edge 11W DTW 40° Wit, Dali, IP54 |