



11W



2700K/
3000K



884 lm



25°/40°



Dimmable
TRIAC

TECHNICAL FEATURES

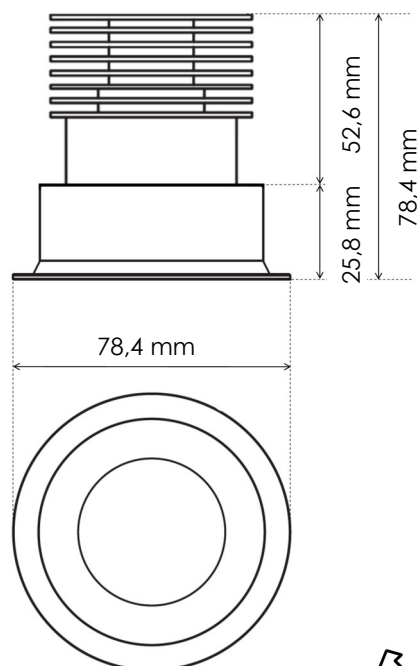
Power	11W
Input current	100-240 Vac
Dimmable	Triac, optional Dali
IP rating	40
Max. amb. Temp.	45°C

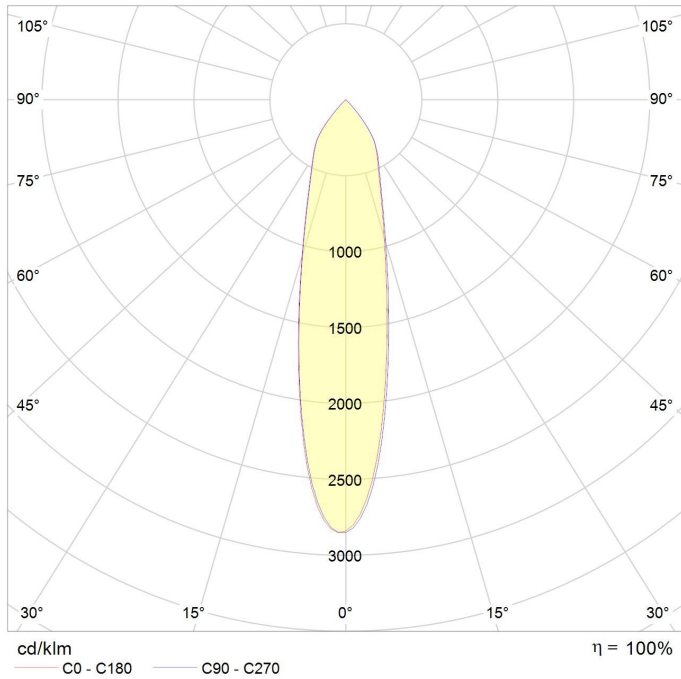
LIGHTING CHARACTERISTICS

Light color	2700/3000K
Beam angle	25°/40°
CRI	RA90+
Lumen output	884 lm
LEDtype	CREE
Lifetime	L80B10 50000h
SDCM	3

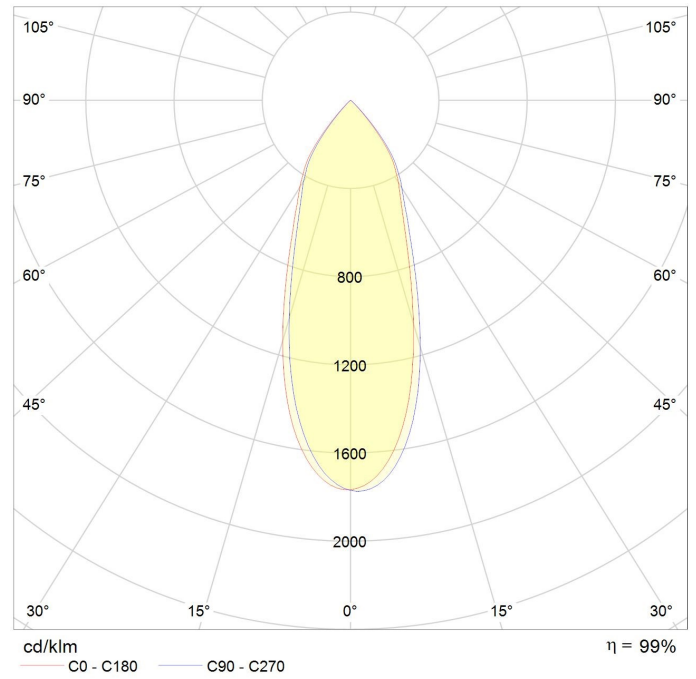
MEASUREMENTS AND MATERIAL FEATURES

Measurements	78,4 x 78,4 mm
Material	aluminium
Color	black/white





CEME11 - beam angle 25°



CEME11 - beam angle 40°

PRODUCTTYPE	POWER	LIGHT COLOR	BEAM ANGLE	COLOR
EE- CEME	11	/ 27	- 25	B
CONCEPT E MEDIUM EDGE	WATT	KELVIN	°	BLACK/WHITE

. MEDIUM EDGE

EE-CEME11/27-25B	Medium Edge 11W 2700°K 25° Zwart
EE-CEME11/27-25W	Medium Edge 11W 2700°K 25° Wit
EE-CEME11/27-40B	Medium Edge 11W 2700°K 40° Zwart
EE-CEME11/27-40W	Medium Edge 11W 2700°K 40° Wit
EE-CEME11/30-25B	Medium Edge 11W 3000°K 25° Zwart
EE-CEME11/30-25W	Medium Edge 11W 3000°K 25° Wit
EE-CEME11/30-40B	Medium Edge 11W 3000°K 40° Zwart
EE-CEME11/30-40W	Medium Edge 11W 3000°K 40° Wit

. MEDIUM EDGE IP54

EE-CEME11/27-25B-IP54	Medium Edge 11W 2700°K 25° Zwart, IP54
EE-CEME11/27-25W-IP54	Medium Edge 11W 2700°K 25° Wit, IP54
EE-CEME11/27-40B-IP54	Medium Edge 11W 2700°K 40° Zwart, IP54
EE-CEME11/27-40W-IP54	Medium Edge 11W 2700°K 40° Wit, IP54
EE-CEME11/30-25B-IP54	Medium Edge 11W 3000°K 25° Zwart, IP54
EE-CEME11/30-25W-IP54	Medium Edge 11W 3000°K 25° Wit, IP54
EE-CEME11/30-40B-IP54	Medium Edge 11W 3000°K 40° Zwart, IP54
EE-CEME11/30-40W-IP54	Medium Edge 11W 3000°K 40° Wit, IP54

. MEDIUM EDGE DALI

EE-CEME11/27-25B-DALI	Medium Edge 11W 2700°K 25° Zwart, Dali
EE-CEME11/27-25W-DALI	Medium Edge 11W 2700°K 25° Wit, Dali
EE-CEME11/27-40B-DALI	Medium Edge 11W 2700°K 40° Zwart, Dali
EE-CEME11/27-40W-DALI	Medium Edge 11W 2700°K 40° Wit, Dali
EE-CEME11/30-25B-DALI	Medium Edge 11W 3000°K 25° Zwart, Dali
EE-CEME11/30-25W-DALI	Medium Edge 11W 3000°K 25° Wit, Dali
EE-CEME11/30-40B-DALI	Medium Edge 11W 3000°K 40° Zwart, Dali
EE-CEME11/30-40W-DALI	Medium Edge 11W 3000°K 40° Wit, Dali

. MEDIUM EDGE DALI IP54

EE-CEME11/27-25B-DALI-IP54	Medium Edge 11W 2700°K 25° Zwart, Dali, IP54
EE-CEME11/27-25W-DALI-IP54	Medium Edge 11W 2700°K 25° Wit, Dali, IP54
EE-CEME11/27-40B-DALI-IP54	Medium Edge 11W 2700°K 40° Zwart, Dali, IP54
EE-CEME11/27-40W-DALI-IP54	Medium Edge 11W 2700°K 40° Wit, Dali, IP54
EE-CEME11/30-25B-DALI-IP54	Medium Edge 11W 3000°K 25° Zwart, Dali, IP54
EE-CEME11/30-25W-DALI-IP54	Medium Edge 11W 3000°K 25° Wit, Dali, IP54
EE-CEME11/30-40B-DALI-IP54	Medium Edge 11W 3000°K 40° Zwart, Dali, IP54
EE-CEME11/30-40W-DALI-IP54	Medium Edge 11W 3000°K 40° Wit, Dali, IP54