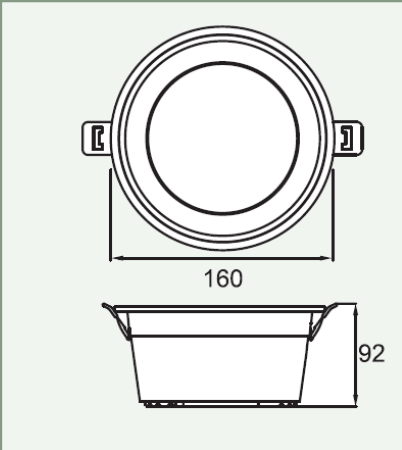
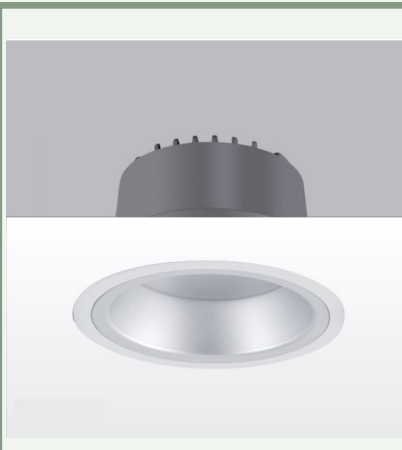


Downlight Recessed EE-NDL28



28W



2700/
3000/4000K



115 lm/w



100°



Remote
Led driver

TECHNICAL FEATURES

| | |
|-----------------|-------------------|
| Power | 28W |
| Input | 700mA-36V |
| Lumen | 3220 Lm |
| Dimmable | Remote Led Driver |
| IP rating | 40 |
| Max. amb. Temp. | 45°C |

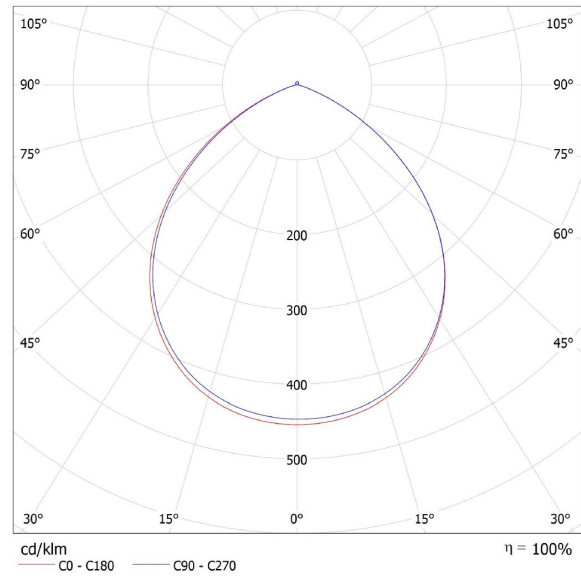
MEASUREMENTS AND MATERIAL FEATURES

| | |
|-----------------|------------------|
| Measurements | 160 x 92 mm |
| Material | aluminium |
| Color outerring | black/white/Grey |
| Color innerring | Mirror/mat |

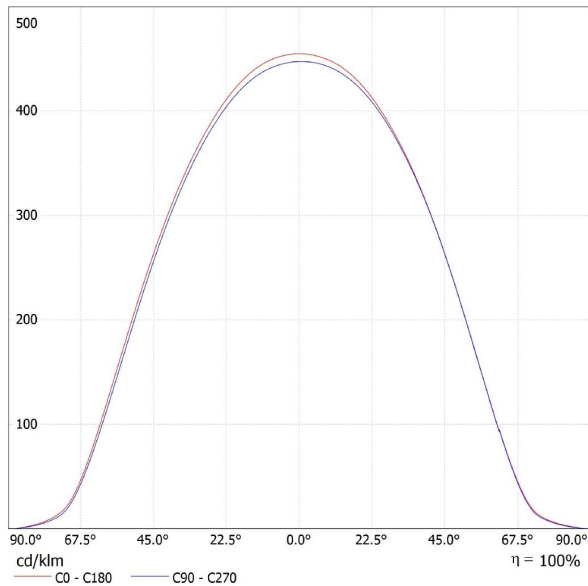
LIGHTING CHARACTERISTICS

| | |
|-------------|-------------------|
| Light color | 2700/3000/4000K |
| Beam angle | 100° |
| Diffuser | High quality PMMA |
| Cut-out | 145 mm |
| LED type | SMD |
| Life time | L90B10 50000h |
| Reflector | Mirror / Mat |





Polar curve



Linear Curve

| | PRODUCTTYPE | POWER | LIGHT COLOR | BEAM ANGLE | COLOR OUTERRING | COLOR INNERRING |
|------------|-------------|-----------|-----------------------|------------|--------------------|--------------------|
| EE- | NDL | 28 | 2700/3000/4000 | 100 | | |
| | DOWNLIGHT | WATT | KELVIN | ° | BLACK/WHITE/ Grey | Mirror/mat |