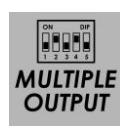
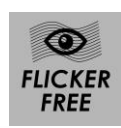
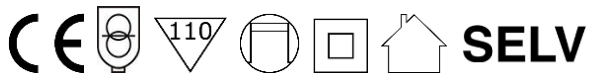


LS-10M-DALI2

LED power supply with adjustable output current
14 W max., IP20, independent installation
dimmable with DALI2, PUSH (pri.)
Flicker-free according to IEEE 1789



Exploded view



Electrical data

Input voltage (range)	198...264 Vac	
Rated input voltage (AC)	220...240 Vac	
Rated input voltage (DC)	200...240 Vdc	
Frequency	50/60 Hz	
Power factor (λ)	0.80 (@230Vac, 100mA/40V)	Under Full Load
	0.90 (@230Vac, 180mA/40V)	Under Full Load
	0.95 (@230Vac, 270mA/40V, 350mA/36V, 440mA/27V)	Under Full Load
Input current	0.07 max.	230Vac
No-load loss	≤ 1 W	230 Vac
Inrush current	8 A	50 μ s
Max. Output voltage	40 Vdc	
Output options	100 mA, 9-40 Vdc, 1.0-4.0 W	180 mA, 9-40 Vdc, 1.6-7.2 W
	270 mA, 9-40 Vdc, 2.4-10.8 W	350 mA, 9-36 Vdc, 3.2-12.6 W
	440 mA, 9-27 Vdc, 4.0-11.9 W	
Output power (nominal)	14W max.	
Efficiency	≥ 79 %	Full Load, 230 Vac
Life time	>30,000 h	
Dimmable	Yes	
Dimming mode	DALI, PUSH (pri.)	
Dimming range	2...100 %	

Operating condition

Operating temperature range (ta)	-25...+50 °C
Max. Surface temperature (tc)	85 °C
Protection class	I
Type of protection	IP20

Protection

Short circuit protection	Yes *
Overload protection	Yes *
Overvoltage protection	Yes *
Overheating protection	Yes *

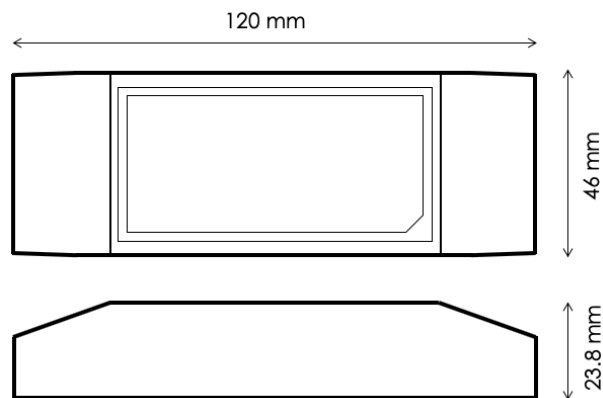
(*) The output shuts off and will be resumed, after problem is removed and led driver is restarted.

Standards & Certificates


Standards (LVD)	EN 61347-1, EN 61347-2-13 EN 62493, EN60598-1
Standards (EMC)	EN 61000-3-2, EN 61000-3-3 EN 55015, EN 61547,
Approval marks	CE
RoHS compliant	Yes

Dimension & Installation

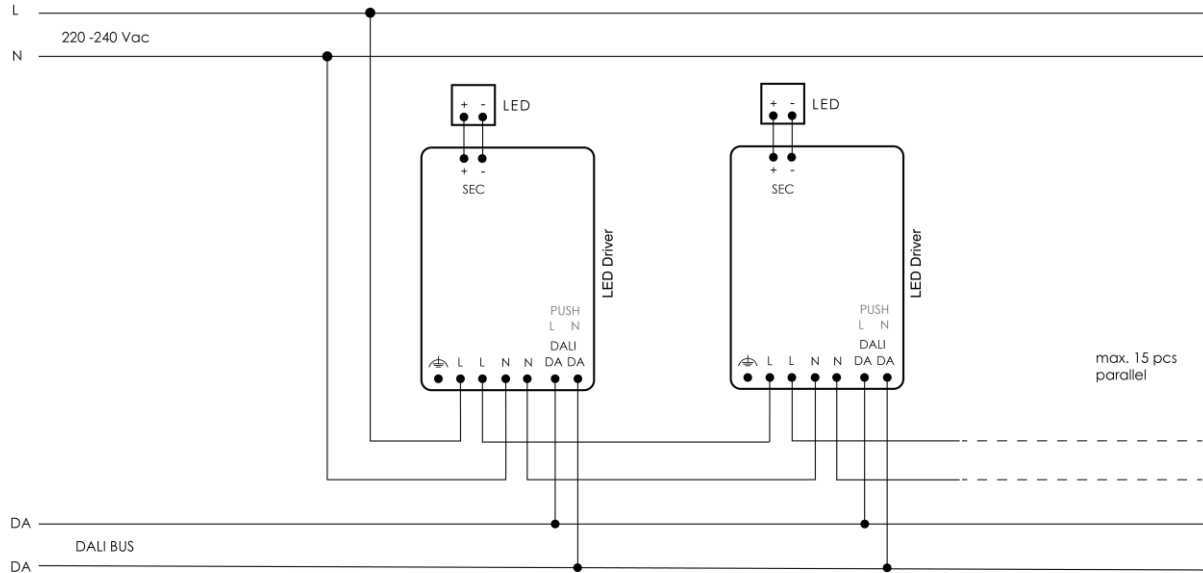
Type of installation	Independent installation
Type of connection	Spring-loaded terminal
Cable cross-section, input side	0.75...1.5 mm ²
Cable cross-section, output side	0.75...1.5 mm ²
Cable preparation length, input side	6...8 mm
Cable preparation length, output side	6...8 mm



Safety Notice

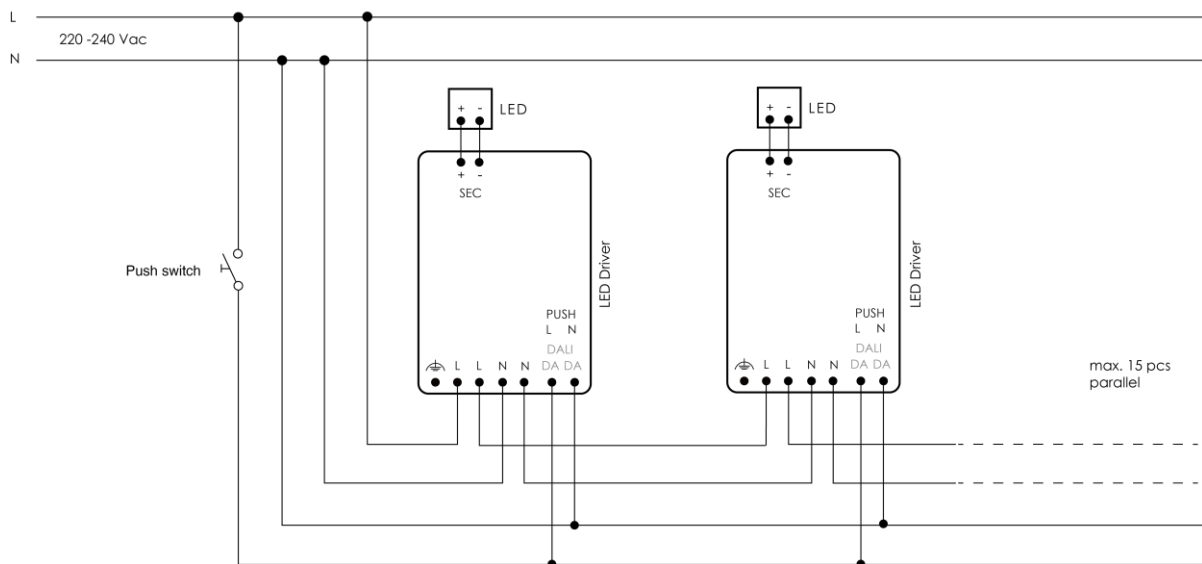
	<p>Dangerous currents flow through the body when coming into direct or indirect contact with live components. This can result in electric shock, burns or even death. Work improperly carried out on current-carrying parts can cause fires.</p> <ul style="list-style-type: none"> ■ Disconnect the mains power supply prior to installation and/or disassembly! ■ Permit work on the 230 V supply system to be performed only by specialist staff.
---	--

DALI Dimming



For lamps with "protection class I", a protective lead to earth (⏏) is required.
 For lamps with "protection class II", a protective lead to earth (⏏) is optional.
 For lamps with "protection class III", a protective lead to earth (⏏) is not required.

PUSH(pri.) Dimming



For lamps with "protection class I", a protective lead to earth (⏏) is required.
 For lamps with "protection class II", a protective lead to earth (⏏) is optional.
 For lamps with "protection class III", a protective lead to earth (⏏) is not required.

Problem with synchronization with several LED power supplies

In the case of parallel connection with several LED power supplies and one button for PUSH dimming, the problem of synchronization is often encountered, all lamps are not controlled at the same time. This problem can be solved with the following instruction.

- 1) Press the button shortly to switch on all lamps.
- 2) Press the button again and hold for ca. 15s, regardless of whether it is already dimmed up or down, until all lamps are automatically dimmed to 50% brightness.
- 3) All lamps are now fully synchronized and can be controlled at the same time.