

STRADA

EE-STR100



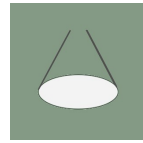
100W



3000 /4000k



14000 lm



3 ANGELS



Optional
1-10V

TECHNICAL FEATURES

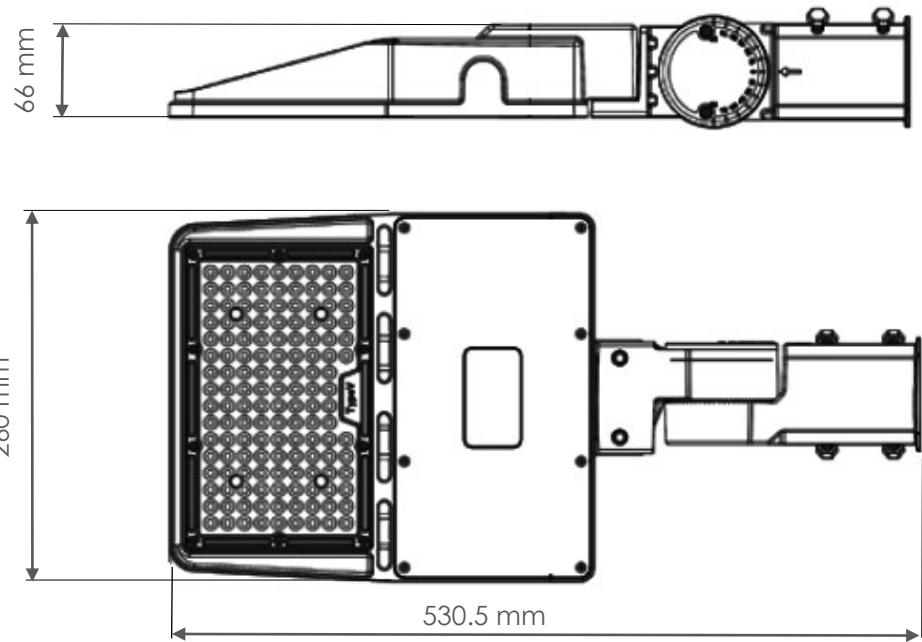
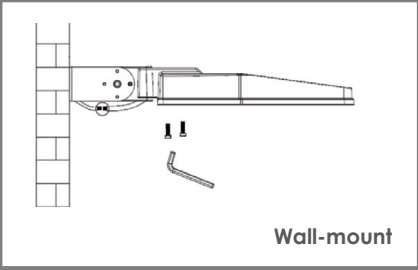
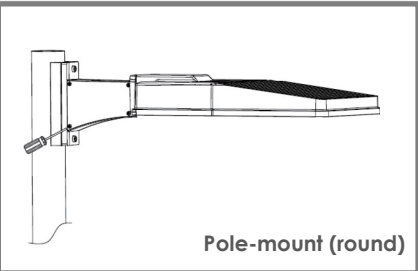
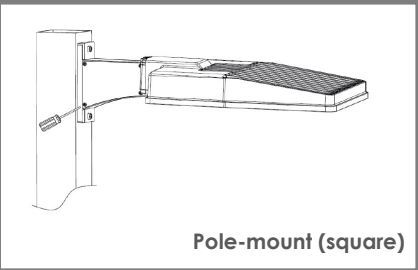
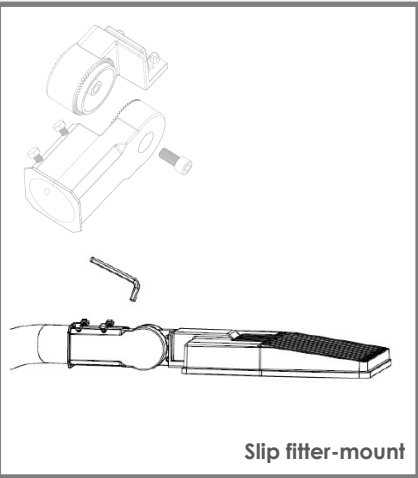
Power	100W
Input current	AC100-277V
Dimmable	Optional 1-10V
IP rating	IP66
Max. amb. Temp.	50°C

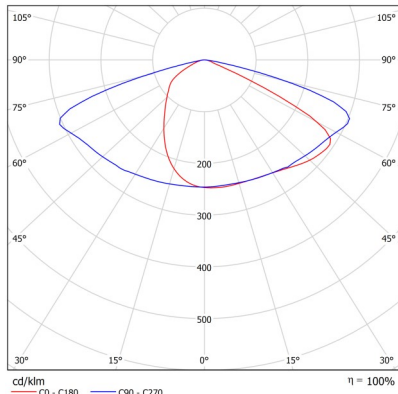
LIGHTING CHARACTERISTICS

Light color	3000/4000K
CRI	RA70+
Lumen output	14000 lumen
LED-type	EMC3030
Amount of LED's	140
UGR	<27
Beam angle	Type3, Type4 , Type5
Lifetime	50000h
Switching cycles	100.000 times

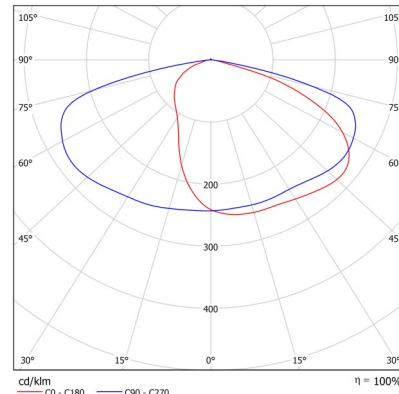
MEASUREMENTS AND MATERIAL FEATURES

Measurements	530.5 x 260 x 66 mm
Weight	4 kg
Material	Aluminium housing
Mounting	Slip fitter-mount Pole-mount Wall-mount

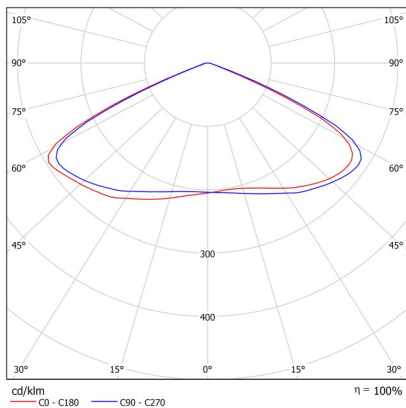




TYPE 3



TYPE 4



TYPE 5

PRODUCTTYPE	POWER	LIGHT COLOR	ANGEL
EE- STR	100	/ 30	- 3
STRADA	Watt	K	

EE-STR100/30-3	Street light Strada 100 Watt 3000K Type 3
EE-STR100/40-3	Street light Strada 100 Watt 4000K Type3
EE-STR100/30-4	Street light Strada 100 Watt 3000K Type 4
EE-STR100/40-4	Street light Strada 100 Watt 4000K Type4
EE-STR100/30-5	Street light Strada 100 Watt 3000K Type 5
EE-STR100/40-5	Street light Strada 100 Watt 4000K Type5