

**STRADA**

**EE-STR150**



150W



3000 /4000k



20000 Lm



3 ANGELS



Optional  
1-10V

**TECHNICAL FEATURES**

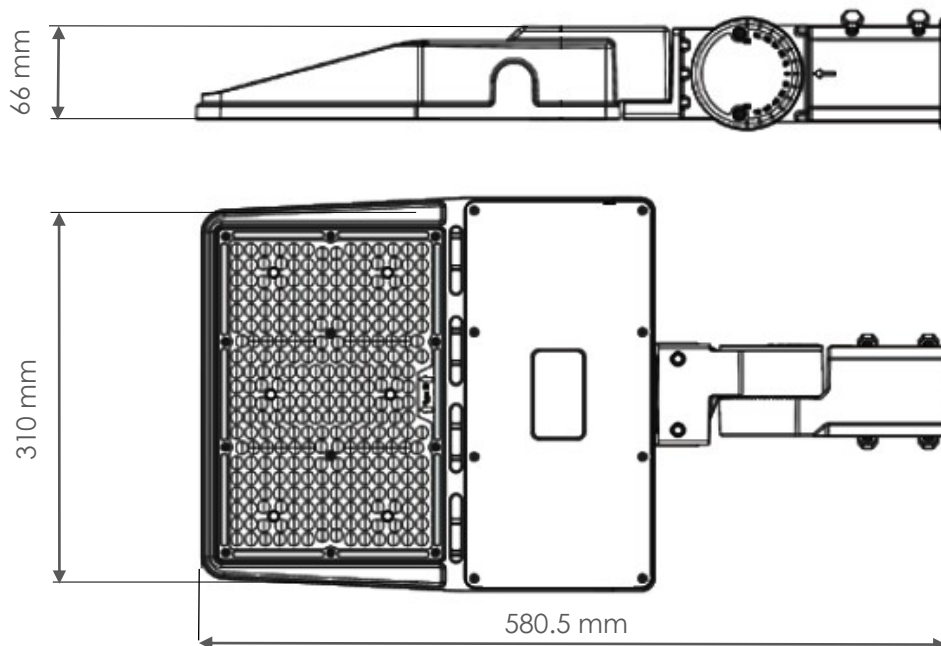
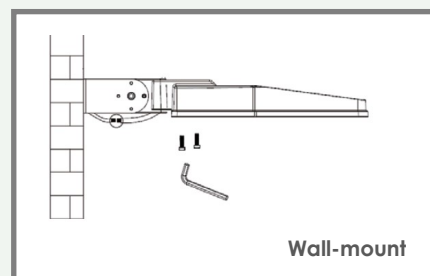
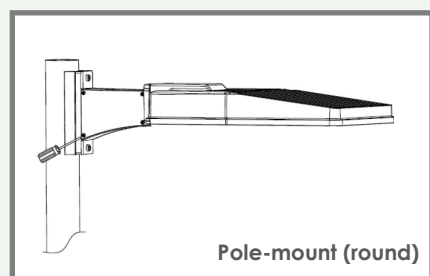
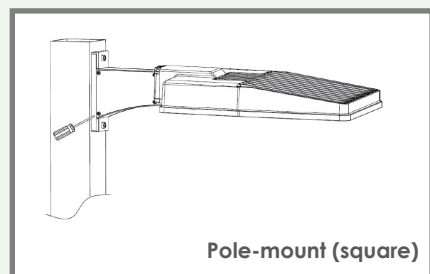
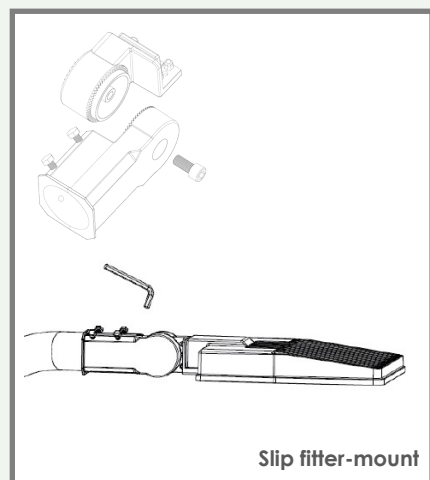
Power	150W
Input current	AC100-277V
Dimmable	Optional 1-10V
IP rating	IP66
Max. amb. Temp.	50°C

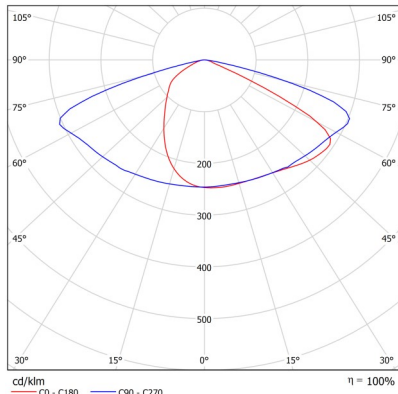
**LIGHTING CHARACTERISTICS**

Light color	3000/4000K
CRI	RA70+
Lumen output	20000 lumen
LED-type	EMC3030
Amount of LED's	196
UGR	<27
Beam angle	Type3, Type4 , Type5
Lifetime	50000h
Switching cycles	100.000 times

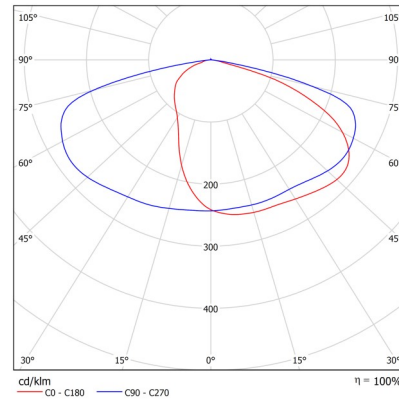
**MEASUREMENTS AND MATERIAL FEATURES**

Measurements	580.5 x 310 x 66 mm
Weight	5.8 kg
Material	Aluminium housing
Mounting	Slip fitter-mount Pole-mount Wall-mount

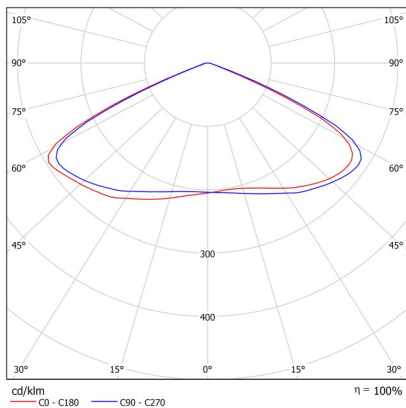




TYPE 3



TYPE 4



TYPE 5

PRODUCTTYPE	POWER	LIGHT COLOR	ANGEL
<b>EE- STR</b>	<b>150</b>	<b>/ 30</b>	<b>- 3</b>
STRADA	Watt	K	

EE-STR 150/30-3	Street light Strada 150 Watt 3000K Type 3
EE-STR 150/40-3	Street light Strada 150 Watt 4000K Type3
EE-STR 150/30-4	Street light Strada 150 Watt 3000K Type 4
EE-STR 150/40-4	Street light Strada 150 Watt 4000K Type4
EE-STR 150/30-5	Street light Strada 150 Watt 3000K Type 5
EE-STR 150/40-5	Street light Strada 150 Watt 4000K Type5