

STRADA

EE-STR150-160



150W



3000 /4000k



24000 Lm



3 ANGELS



Optional
1-10V

TECHNICAL FEATURES

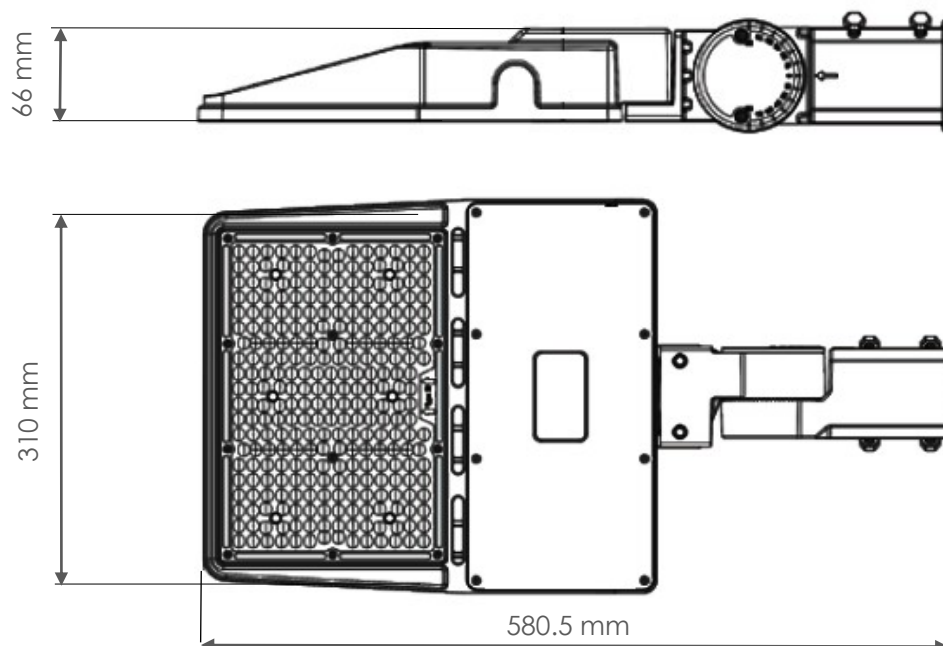
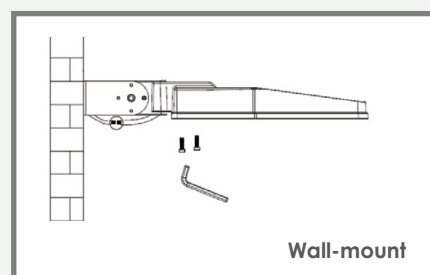
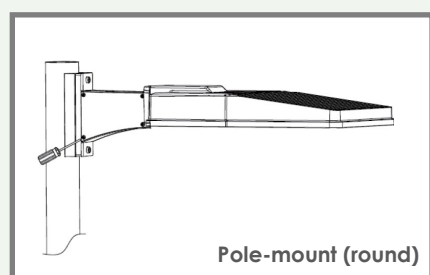
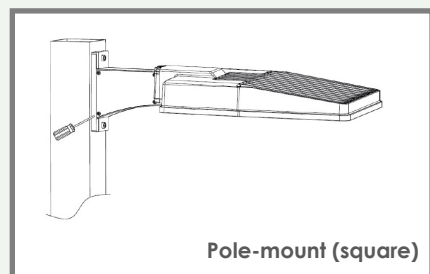
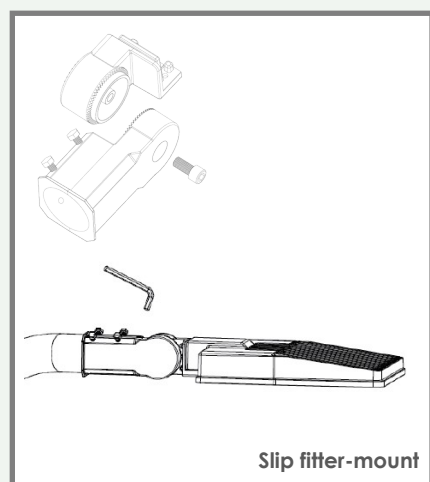
Power	150W
Input current	AC100-277V
Dimmable	Optional 1-10V
IP rating	IP66
Max. amb. Temp.	50°C

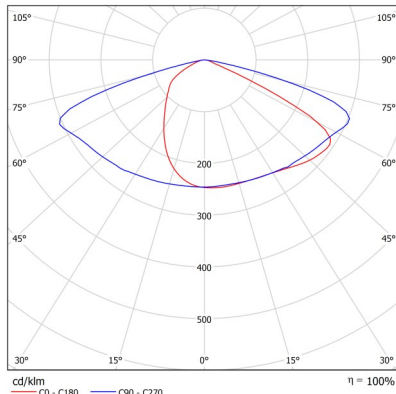
LIGHTING CHARACTERISTICS

Light color	3000/4000K
CRI	RA70+
Lumen output	24000 lumen
LED-type	EMC3030
Amount of LED's	280
UGR	<27
Beam angle	Type3, Type4 , Type5
Lifetime	50000h
Switching cycles	100.000 times

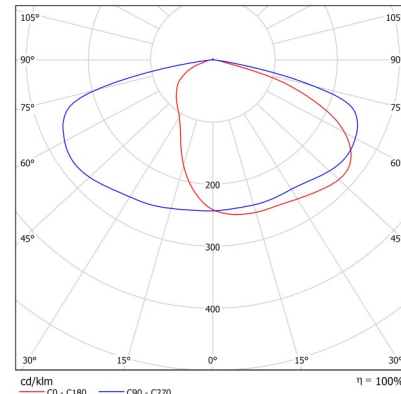
MEASUREMENTS AND MATERIAL FEATURES

Measurements	580.5 x 310 x 66 mm
Weight	5.8 kg
Material	Aluminium housing
Mounting	Slip fitter-mount Pole-mount Wall-mount

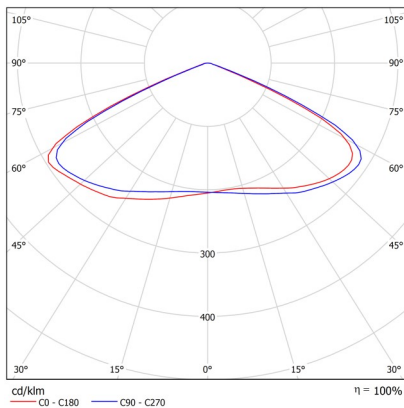




TYPE 3



TYPE 4



TYPE 5

PRODUCTTYPE	POWER	LIGHT COLOR	ANGEL	160Lm/w
EE- STR STRADA	150 Watt	/ 30 K	- 3	- 160

EE-STR150/30-3-160	Street light Strada	150 Watt	3000K	Type 3	160 Lm/w
EE-STR150/40-3-160	Street light Strada	150 Watt	4000K	Type3	160 Lm/w
EE-STR150/30-4-160	Street light Strada	150 Watt	3000K	Type 4	160 Lm/w
EE-STR150/40-4-160	Street light Strada	150 Watt	4000K	Type4	160 Lm/w
EE-STR150/30-5-160	Street light Strada	150 Watt	3000K	Type 5	160 Lm/w
EE-STR150/40-5-160	Street light Strada	150 Watt	4000K	Type5	160 Lm/w