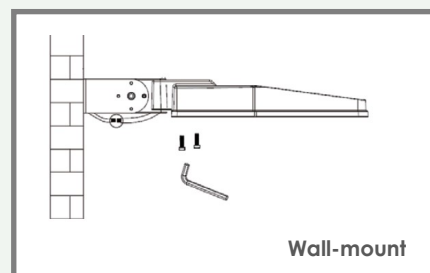
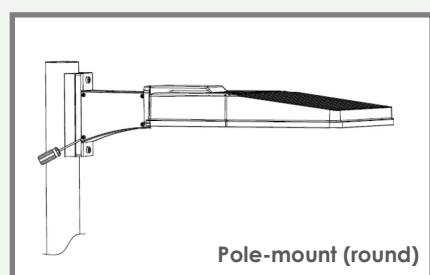
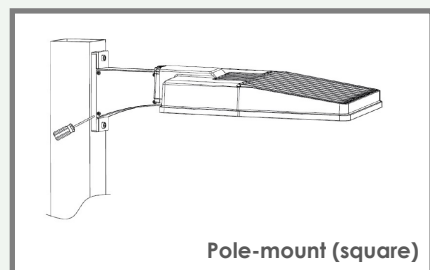
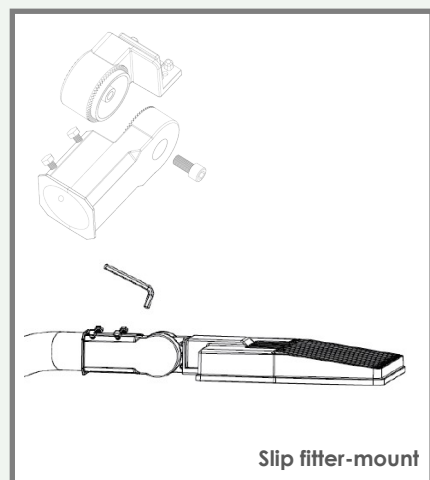


**STRADA**

**EE-STR200**



200W



3000 /4000k



28000 Lm



3 ANGELS



Optional  
1-10V

**TECHNICAL FEATURES**

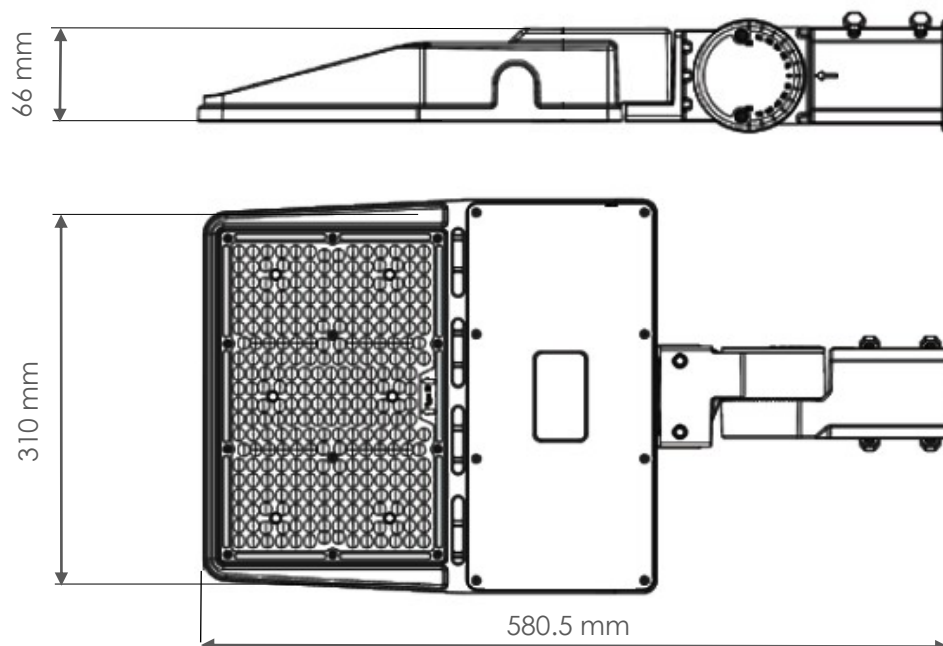
Power	200W
Input current	AC100-277V
Dimmable	Optional 1-10V
IP rating	IP66
Max. amb. Temp.	50°C

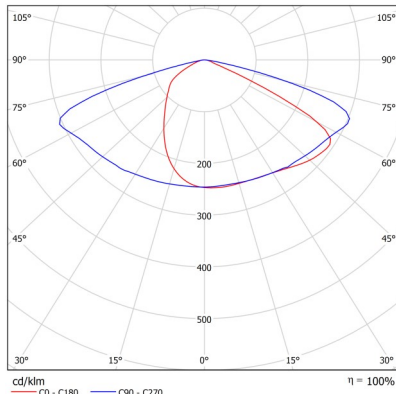
**LIGHTING CHARACTERISTICS**

Light color	3000/4000K
CRI	RA70+
Lumen output	28000 lumen
LED-type	EMC3030
Amount of LED's	196
UGR	<27
Beam angle	Type3, Type4 , Type5
Lifetime	50000h
Switching cycles	100.000 times

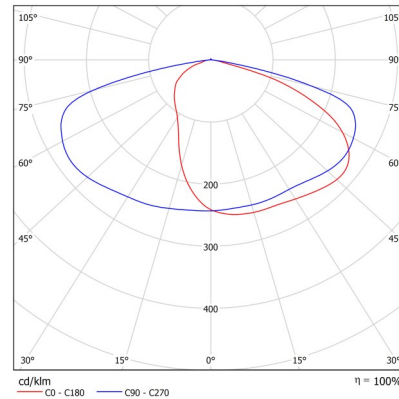
**MEASUREMENTS AND MATERIAL FEATURES**

Measurements	580.5 x 310 x 66 mm
Weight	6.1 kg
Material	Aluminium housing
Mounting	Slip fitter-mount Pole-mount Wall-mount

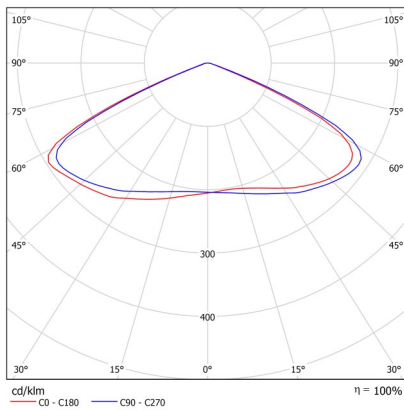




TYPE 3



TYPE 4



TYPE 5

PRODUCTTYPE	POWER	LIGHT COLOR	ANGEL
<b>EE- STR</b>	<b>200</b>	<b>/ 30</b>	<b>- 3</b>
STRADA	Watt	K	

- EE-STR200/30 -3 Street light Strada 200 Watt 3000K Type 3
- EE-STR200/40 -3 Street light Strada 200 Watt 4000K Type3
- EE-STR200/30 -4 Street light Strada 200 Watt 3000K Type 4
- EE-STR200/40 -4 Street light Strada 200 Watt 4000K Type4
- EE-STR200/30 -5 Street light Strada 200 Watt 3000K Type 5
- EE-STR200/40 -5 Street light Strada 200 Watt 4000K Type5