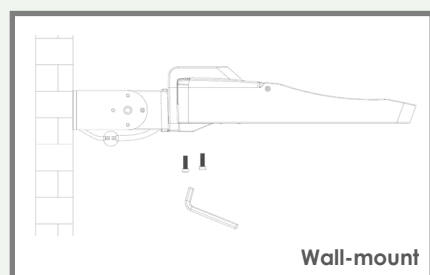
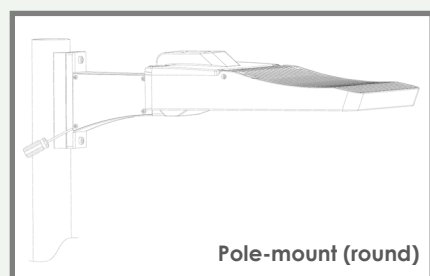
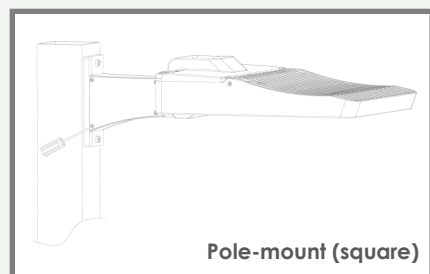
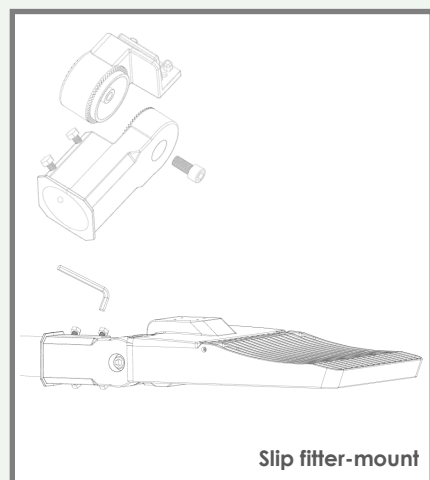


STRADA

EE-STR150



150W



3000 /  
4000 K



20000 lm



asymmetric



Optional  
Dali/1-10V

TECHNICAL FEATURES

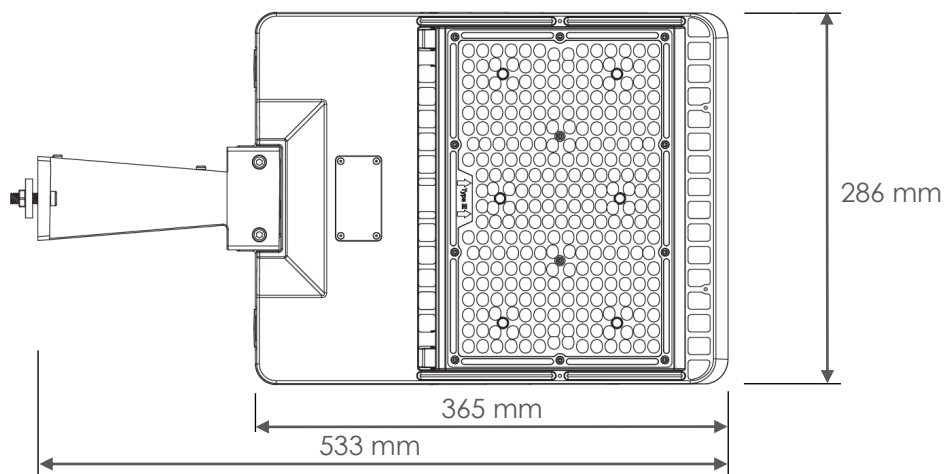
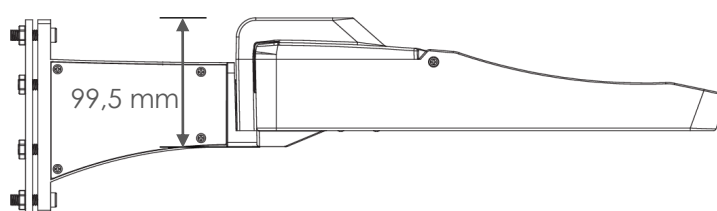
Power	150W
Input current	AC100-277V
Dimmable	Optional dali/1-10V
IP rating	IP66
Max. amb. Temp.	50°C

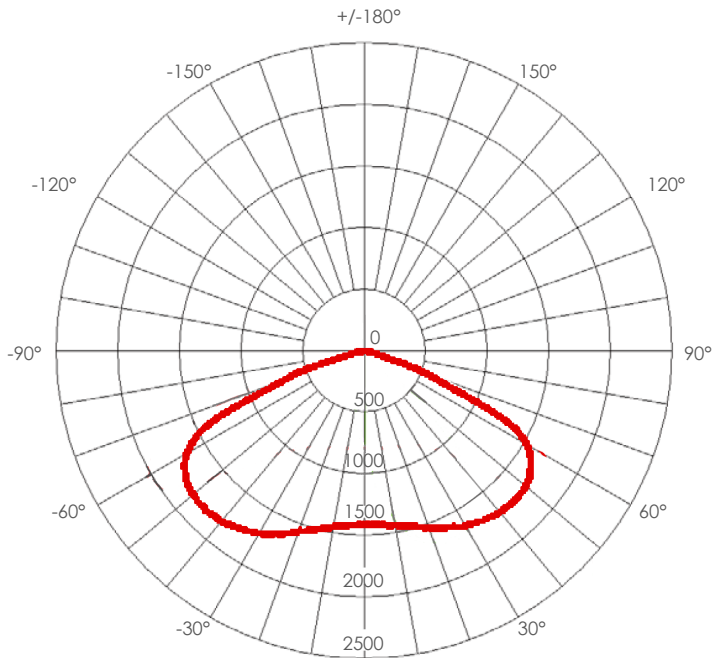
LIGHTING CHARACTERISTICS

Light color	3000/4000 K
CRI	RA70+
Lumen output	20000 lm
LED-type	EMC3030
Amount of LED's	196
UGR	<27
Beam angle	asymmetric
Lifetime	L80B10 50000h
Switching cycles	100.000 times

MEASUREMENTS AND MATERIAL FEATURES

Measurements	533 x 286 x 99,5 mm
Weight	5,2 kg
Material	Aluminium housing
Mounting	Slip fitter-mount Pole-mount Wall-mount





Lichtdiagram **STR150**

PRODUCTTYPE	POWER	LIGHT COLOR
<b>EE- STR</b>	<b>150</b>	<b>30</b>
STRADA	150 Watt	3000 K

EE-STR150/30

Streetlight Strada 150 Watt 3000K

EE-STR150/40

Streetlight Strada 150 Watt 4000K

5-YEAR WARRANTY

