

18W/m



1800 to 2700k
1800 to 3000k



1580 Lm/m
1620 Lm/m



120°



Dimmable
PWM

TECHNICAL FEATURES

Power	18W/m
Input Voltage	24 Vdc
Max current / LED	20 mA
Dimmable	PWM
IP rating	20/67
Max. amb. Temp.	-20°C up to +45°C

LIGHTING CHARACTERISTICS

Light color	1800 to 2700k 1800 to 3000K
Beam angle	120°
CRI	RA90+
Lumen output	2700K :1580 Lm/m 3000K : 1620 Lm/m
LED's/m	224
LEDtype	SMD 2216

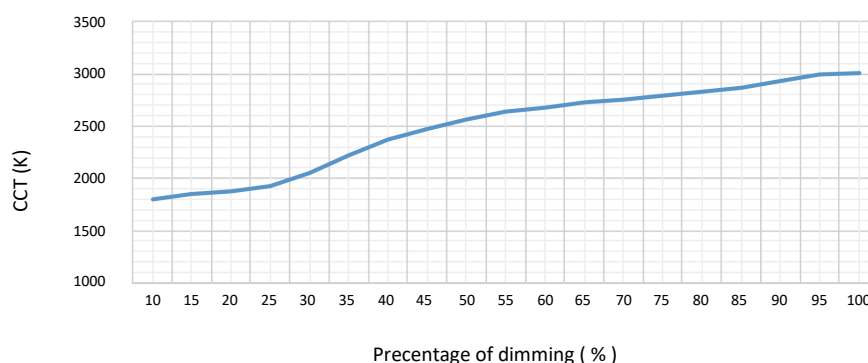
MEASUREMENTS AND MATERIAL FEATURES

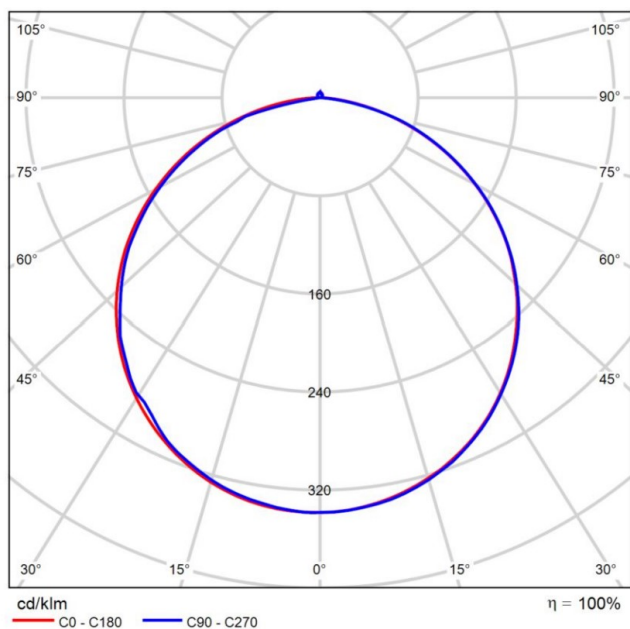
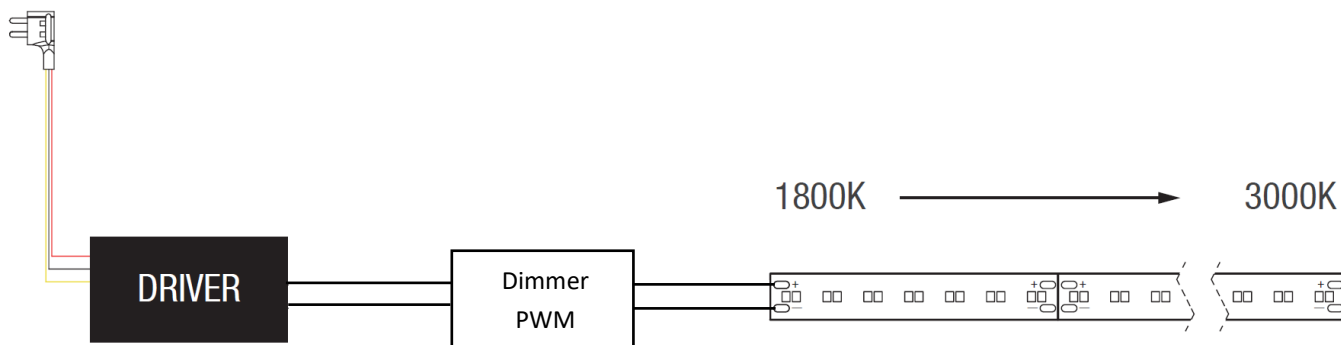
Measurements	10 x 3 x 5000 mm
Cutable every...	62.5 mm



cutable every 62,5 mm

CCT Curve





Polar LDC

PRODUCTTYPE	POWER	LIGHT COLOR	IP
EE - FS 18 / 27 DW - NWP			
FLEXIBLE STRIP	WATT/M	1800 to 2700 KELVIN	NWP nanowaterproof

SUMMARY PRODUCTCODES LEDSTRIP 18 WATT

- EE-FS18/27DW
- EE-FS18/30DW
- EE-FS18/27DW-NWP
- EE-FS18/30DW-NWP

