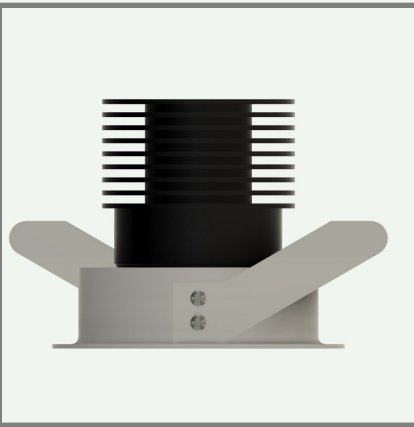
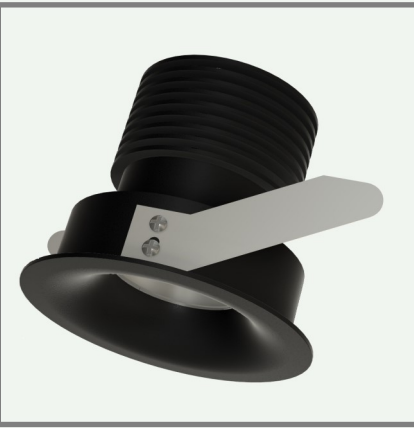


CONCEPT E

WIDE edge

EE-CEWE11



11W



2700K/ 3000K
4000k/DTW



1047 lm



25°/40°



Dimmable
TRIAC

TECHNICAL FEATURES

Power	11W
Input current	100-240 Vac
Dimmable	Triac, optional Dali
IP rating	40
Max. amb. Temp.	45°C

MEASUREMENTS AND MATERIAL FEATURES

Measurements	90 x 76.6 mm
Material	aluminium
Color	black/white

LIGHTING CHARACTERISTICS

Light color	2700/3000/4000K
	DTW :(dim to warm) (1800 - 2700 k)

Lumen output	2700k : 820 Lm
	3000K: 870 Lm
	4000k : 1047 Lm

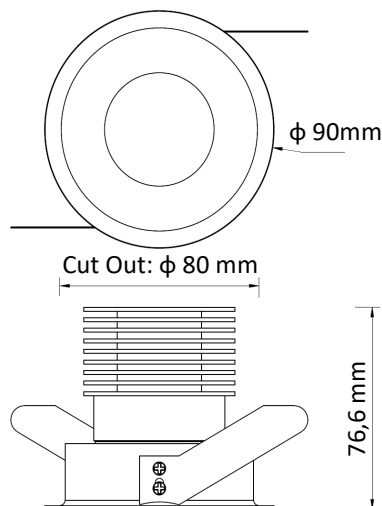
Beam angle	2700K :25°/40°
	3000K : 25°/40°
	4000k : 40°
	DTW : 40°

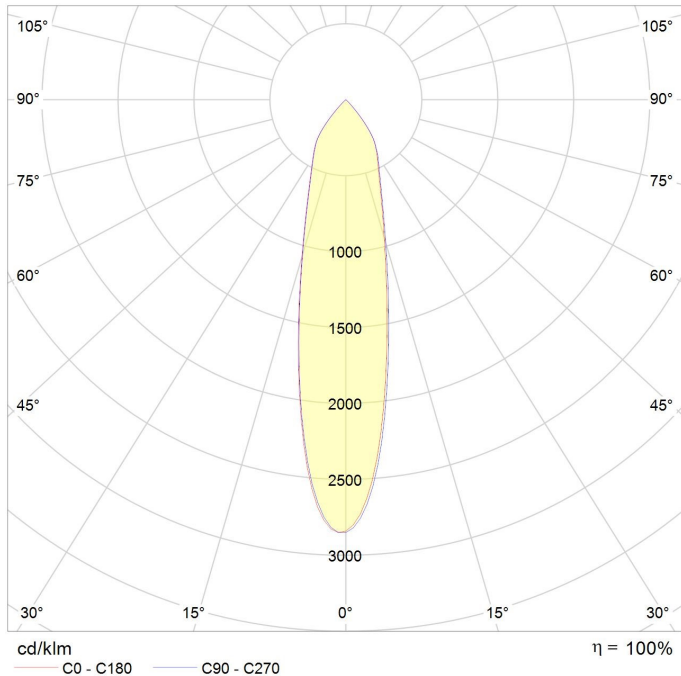
CRI	RA90+
-----	-------

LEDtype	CREE
---------	------

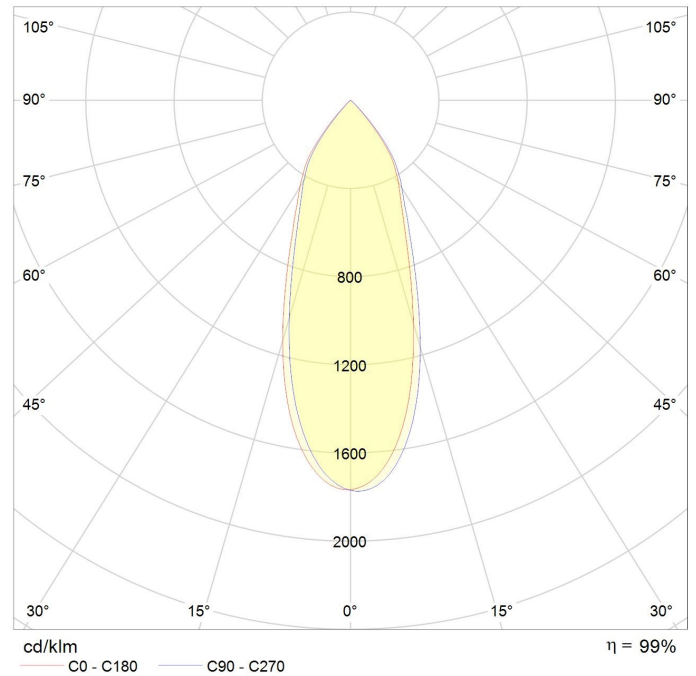
Lifetime	L80B10 50000h
----------	---------------

SDCM	3
------	---





CEWE11 - beam angle 25°



CEWE11 - beam angle 40°

PRODUCTTYPE	POWER	LIGHT COLOR	BEAM ANGLE	COLOR
EE- CEWE	11	/ 27	- 25	B
CONCEPT E WIDE EDGE	WATT	KELVIN	°	BLACK/WHITE

. WIDE EDGE

EE-CEWE11/27-25B	Wide Edge 11W 2700°K 25° Zwart
EE-CEWE11/27-25W	Wide Edge 11W 2700°K 25° Wit
EE-CEWE11/27-40B	Wide Edge 11W 2700°K 40° Zwart
EE-CEWE11/27-40W	Wide Edge 11W 2700°K 40° Wit
EE-CEWE11/30-25B	Wide Edge 11W 3000°K 25° Zwart
EE-CEWE11/30-25W	Wide Edge 11W 3000°K 25° Wit
EE-CEWE11/30-40B	Wide Edge 11W 3000°K 40° Zwart
EE-CEWE11/30-40W	Wide Edge 11W 3000°K 40° Wit
EE-CEWE11/40-40B	Wide Edge 11W 4000°K 40° Zwart
EE-CEWE11/40-40W	Wide Edge 11W 4000°K 40° Wit
EE-CEWE11/DTW-40B	Wide Edge 11W DTW 40° Zwart
EE-CEWE11/DTW-40W	Wide Edge 11W DTW 40° Wit

. WIDE EDGE IP54

EE-CEWE11/27-25B-IP54	Wide Edge 11W 2700°K 25° Zwart, IP54
EE-CEWE11/27-25W-IP54	Wide Edge 11W 2700°K 25° Wit, IP54
EE-CEWE11/27-40B-IP54	Wide Edge 11W 2700°K 40° Zwart, IP54
EE-CEWE11/27-40W-IP54	Wide Edge 11W 2700°K 40° Wit, IP54
EE-CEWE11/30-25B-IP54	Wide Edge 11W 3000°K 25° Zwart, IP54
EE-CEWE11/30-25W-IP54	Wide Edge 11W 3000°K 25° Wit, IP54
EE-CEWE11/30-40B-IP54	Wide Edge 11W 3000°K 40° Zwart, IP54
EE-CEWE11/30-40W-IP54	Wide Edge 11W 3000°K 40° Wit, IP54
EE-CEWE11/40-40B-IP54	Wide Edge 11W 4000°K 40° Zwart, IP54
EE-CEWE11/40-40W-IP54	Wide Edge 11W 4000°K 40° Wit, IP54
EE-CEWE11/DTW-40B-IP54	Wide Edge 11W DTW 40° Zwart, IP54
EE-CEWE11/DTW-40W-IP54	Wide Edge 11W DTW 40° Wit, IP54

. WIDE EDGE DALI

EE-CEWE11/27-25B-DA	Wide Edge 11W 2700°K 25° Zwart, Dali
EE-CEWE11/27-25W-DA	Wide Edge 11W 2700°K 25° Wit, Dali
EE-CEWE11/27-40B-DA	Wide Edge 11W 2700°K 40° Zwart, Dali
EE-CEWE11/27-40W-DA	Wide Edge 11W 2700°K 40° Wit, Dali
EE-CEWE11/30-25B-DA	Wide Edge 11W 3000°K 25° Zwart, Dali
EE-CEWE11/30-25W-DA	Wide Edge 11W 3000°K 25° Wit, Dali
EE-CEWE11/30-40B-DA	Wide Edge 11W 3000°K 40° Zwart, Dali
EE-CEWE11/30-40W-DA	Wide Edge 11W 3000°K 40° Wit, Dali
EE-CEWE11/40-40B-DA	Wide Edge 11W 4000°K 40° Zwart, Dali
EE-CEWE11/40-40W-DA	Wide Edge 11W 4000°K 40° Wit, Dali
EE-CEWE11/DTW-40B-DA	Wide Edge 11W DTW 40° Zwart, Dali
EE-CEWE11/DTW-40W-DA	Wide Edge 11W DTW 40° Wit, Dali



. WIDE EDGE DALI IP54

EE-CEWE11/27-25B-DA-IP54	Wide Edge 11W 2700°K 25° Zwart, Dali, IP54
EE-CEWE11/27-25W-DA-IP54	Wide Edge 11W 2700°K 25° Wit, Dali, IP54
EE-CEWE11/27-40B-DA-IP54	Wide Edge 11W 2700°K 40° Zwart, Dali, IP54
EE-CEWE11/27-40W-DA-IP54	Wide Edge 11W 2700°K 40° Wit, Dali, IP54
EE-CEWE11/30-25B-DA-IP54	Wide Edge 11W 3000°K 25° Zwart, Dali, IP54
EE-CEWE11/30-25W-DA-IP54	Wide Edge 11W 3000°K 25° Wit, Dali, IP54
EE-CEWE11/30-40B-DA-IP54	Wide Edge 11W 3000°K 40° Zwart, Dali, IP54
EE-CEWE11/30-40W-DA-IP54	Wide Edge 11W 3000°K 40° Wit, Dali, IP54
EE-CEWE11/40-40B-DA-IP54	Wide Edge 11W 4000°K 40° Zwart, Dali, IP54
EE-CEWE11/40-40W-DA-IP54	Wide Edge 11W 4000°K 40° Wit, Dali, IP54
EE-CEWE11/DTW-40B-DA-IP54	Wide Edge 11W DTW 40° Zwart, Dali, IP54
EE-CEWE11/DTW-40W-DA-IP54	Wide Edge 11W DTW 40° Wit, Dali, IP54