

Downlight RECESSED

EE-PINO



Pino A



Pino B



Pino C



Pino D



6W



2700/3000K



410 lm



15/30/40/60°



TRIAC

TECHNICAL FEATURES

Power 6W

Dimmable TRIAC

IP rating 40

Max. amb. Temp. 45°C

LIGHTING CHARACTERISTICS

Light color 2700/3000K

Beam angle 15/30/40/60°

Lumen 410 Lm

LED type CREE

CRI > 90

Life time 50000h

MEASUREMENTS AND MATERIAL FEATURES

Measurements
Pino A: $\phi 52 \times 64$ mm
Pino B: $\phi 52 \times 58$ mm
Pino C: $\phi 52 \times 52$ mm
Pino D: $\phi 52 \times 57$ mm

Material aluminium

Cut-out $\phi 45$ mm

Color White/Black

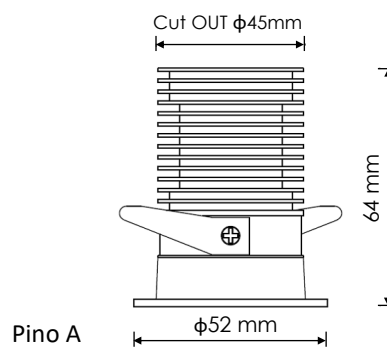
DRIVER FEATURES

Brand Eaglerise

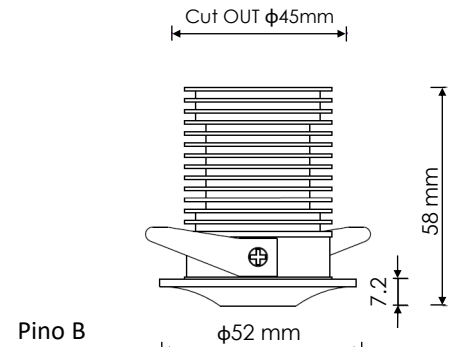
Dimming type Triac

Input voltage 220-240 VAC

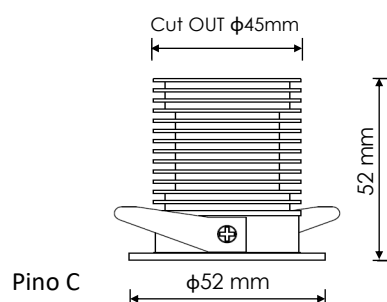
SEC DC150mA 27-42V



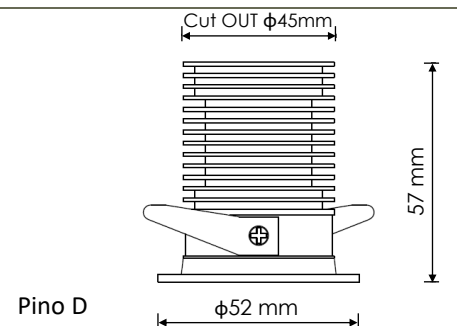
Pino A



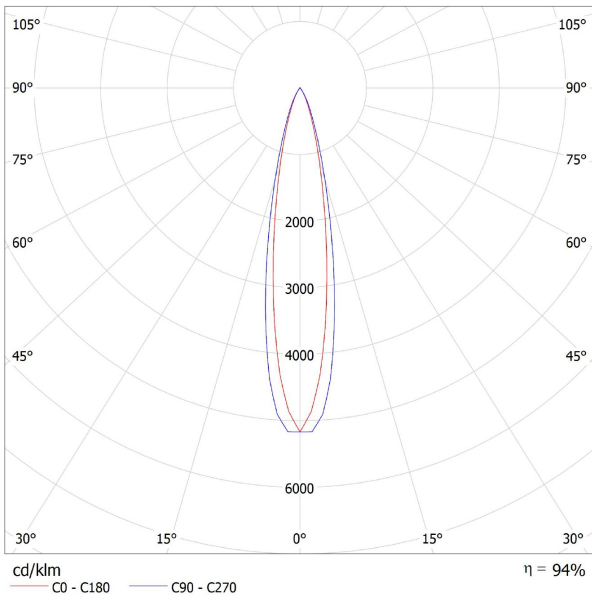
Pino B



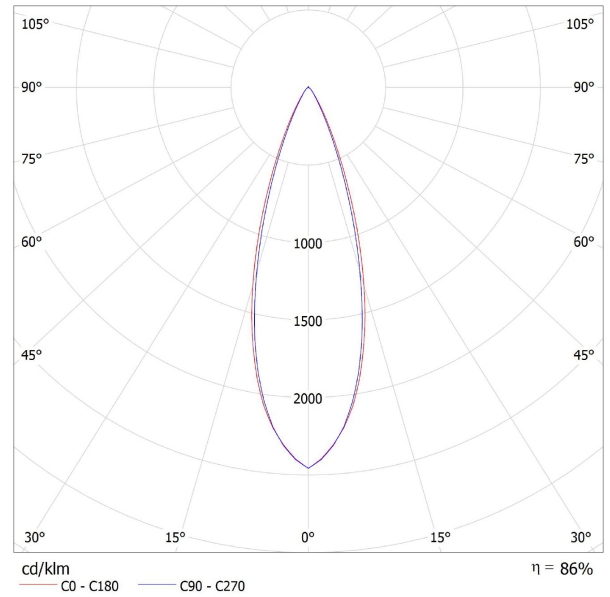
Pino C



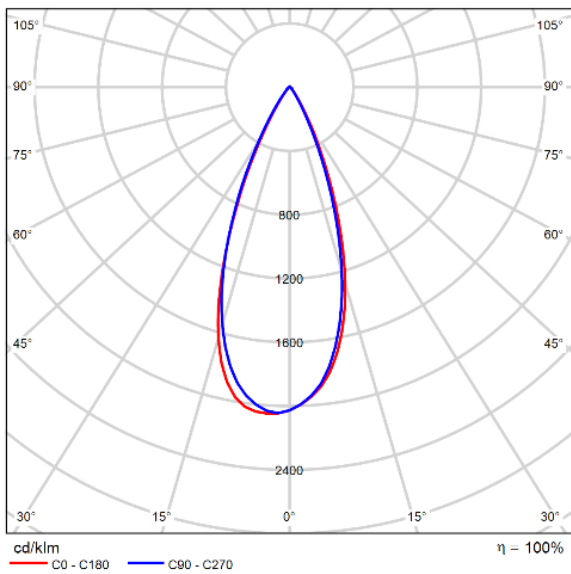
Pino D



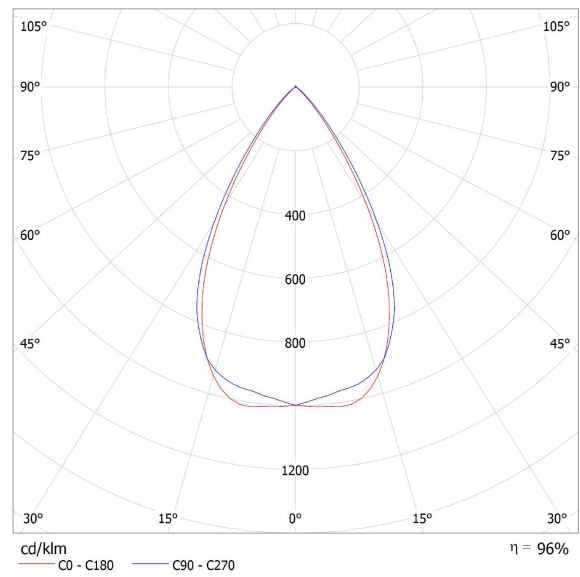
PINO 7W - beam angle 15°



PINO 7W - beam angle 30°



PINO 7W - beam angle 40°



PINO 7W - beam angle 60°

Codes :

EE-	PN	07	/	30	A	-	B	15
------------	-----------	-----------	----------	-----------	----------	----------	----------	-----------

PINO

w

2700/3000K

A/B/C/D

Black/White

15/30/40/60°

EE-PN07/27A-B15	EE-PN07/30A-B15
EE-PN07/27B-B15	EE-PN07/30B-B15
EE-PN07/27C-B15	EE-PN07/30C-B15
EE-PN07/27D-B15	EE-PN07/30D-B15
EE-PN07/27A-B30	EE-PN07/30A-B30
EE-PN07/27B-B30	EE-PN07/30B-B30
EE-PN07/27C-B30	EE-PN07/30C-B30
EE-PN07/27D-B30	EE-PN07/30D-B30
EE-PN07/27A-B40	EE-PN07/30A-B40
EE-PN07/27B-B40	EE-PN07/30B-B40
EE-PN07/27C-B40	EE-PN07/30C-B40
EE-PN07/27D-B40	EE-PN07/30D-B40
EE-PN07/27A-B60	EE-PN07/30A-B60
EE-PN07/27B-B60	EE-PN07/30B-B60
EE-PN07/27C-B60	EE-PN07/30C-B60
EE-PN07/27D-B60	EE-PN07/30D-B60
EE-PN07/27A-W15	EE-PN07/30A-W15
EE-PN07/27B-W15	EE-PN07/30B-W15
EE-PN07/27C-W15	EE-PN07/30C-W15
EE-PN07/27D-W15	EE-PN07/30D-W15
EE-PN07/27A-W30	EE-PN07/30A-W30
EE-PN07/27B-W30	EE-PN07/30B-W30
EE-PN07/27C-W30	EE-PN07/30C-W30
EE-PN07/27D-W30	EE-PN07/30D-W30
EE-PN07/27A-W40	EE-PN07/30A-W40
EE-PN07/27B-W40	EE-PN07/30B-W40
EE-PN07/27C-W40	EE-PN07/30C-W40
EE-PN07/27D-W40	EE-PN07/30D-W40
EE-PN07/27A-W60	EE-PN07/30A-W60
EE-PN07/27B-W60	EE-PN07/30B-W60
EE-PN07/27C-W60	EE-PN07/30C-W60
EE-PN07/27D-W60	EE-PN07/30D-W60