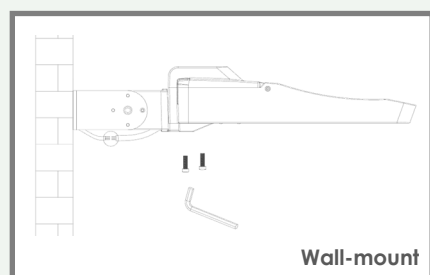
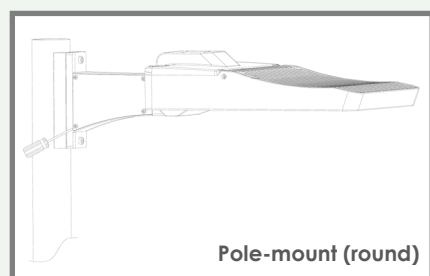
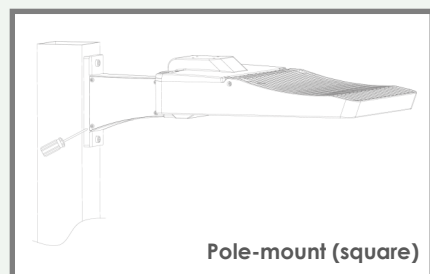
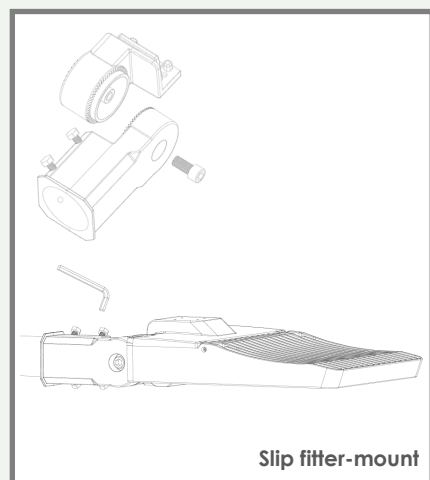


STRADA

EE-STR300



300W



3000 /
4000 K



42000 lm



asymmetric



Optional
Dali/1-10V

TECHNICAL FEATURES

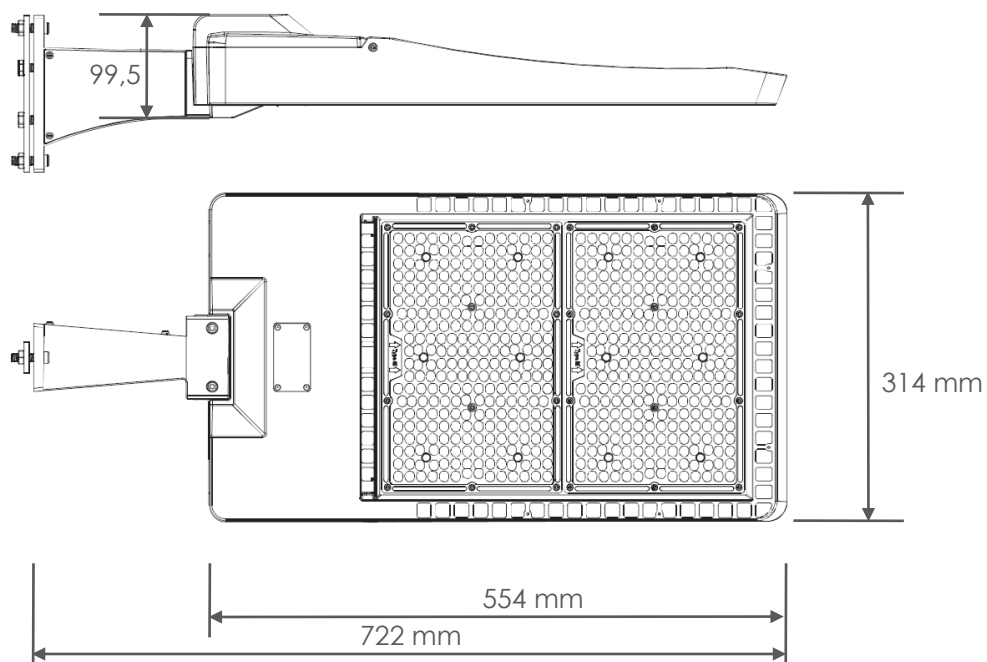
Power	300W
Input current	AC100-277V
Dimmable	Optional dali/1-10V
IP rating	IP66
Max. amb. Temp.	50°C

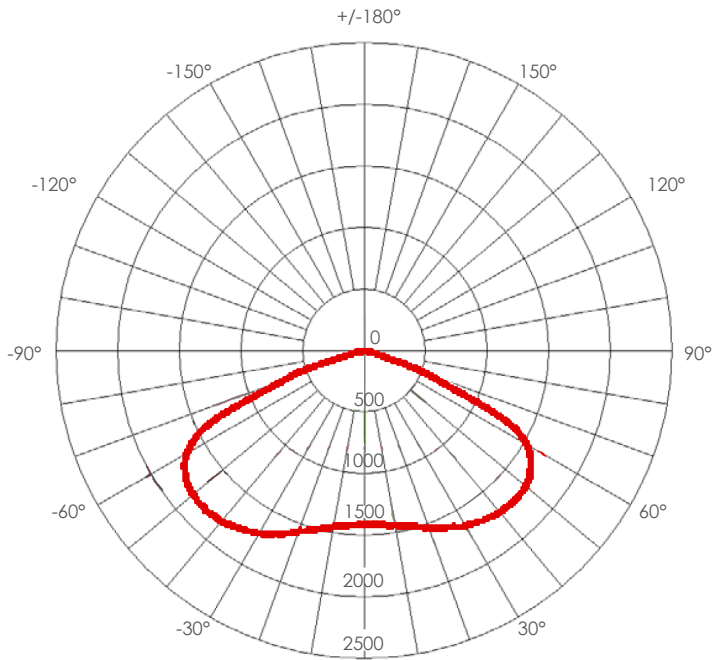
LIGHTING CHARACTERISTICS

Light color	3000/4000 K
CRI	RA70+
Lumen output	42000 lm
LED-type	EMC3030
Amount of LED's	392
UGR	<27
Beam angle	asymmetric
Lifetime	L80B10 50000h
Switching cycles	100.000 times

MEASUREMENTS AND MATERIAL FEATURES

Measurements	722 x 314 x 99,5 mm
Weight	8,3 kg
Material	Aluminium housing
Mounting	Slip fitter-mount Pole-mount Wall-mount





Lichtdiagram **STR300**

PRODUCTTYPE	POWER	LIGHT COLOR
EE- STR	300	30
STRADA	300 Watt	3000 K

EE-STR300/30

Streetlight Strada 300 Watt 3000K

EE-STR300/40

Streetlight Strada 300 Watt 4000K

5-YEAR WARRANTY

RoHS **CE**