

CONCEPT E

Round Edge

EE-CERE11



11W



2700K/ 3000K
4000K / DW



1047 lm



25°/40°



Dimmable
TRIAC

TECHNICAL FEATURES

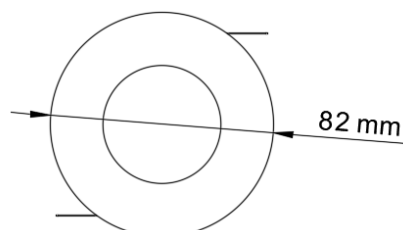
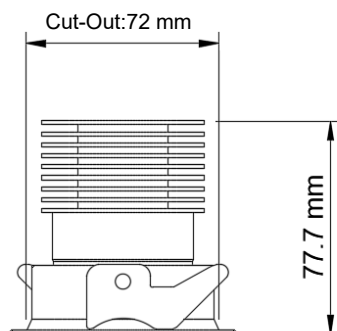
Power	11W
Input volt	220-240 Vac
Driver	Built-out Sec: DC 20-43V, 250mA
Dimmable	Triac, Optional Dali
IP rating	40, Optional IP54
Max. amb. Temp.	45°C

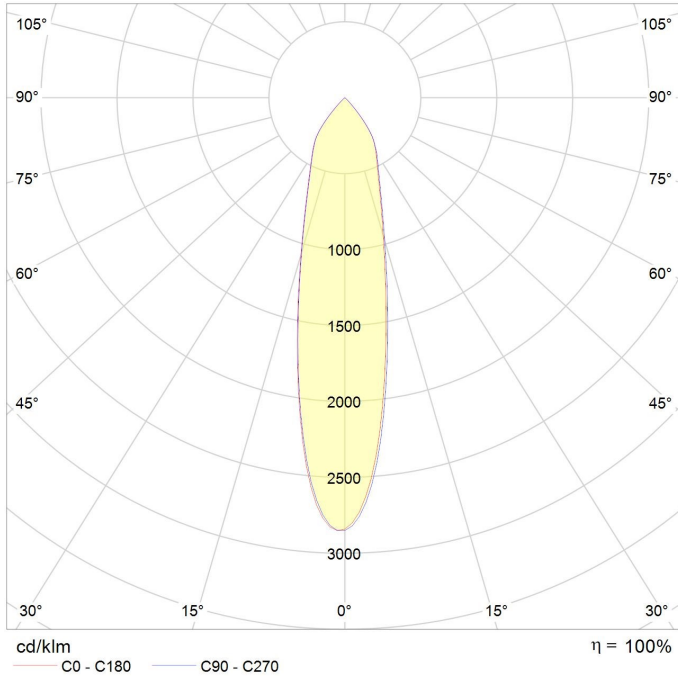
MEASUREMENTS AND MATERIAL FEATURES

Measurements	φ82 x 77.7 mm
Material	aluminium
Color	black/white

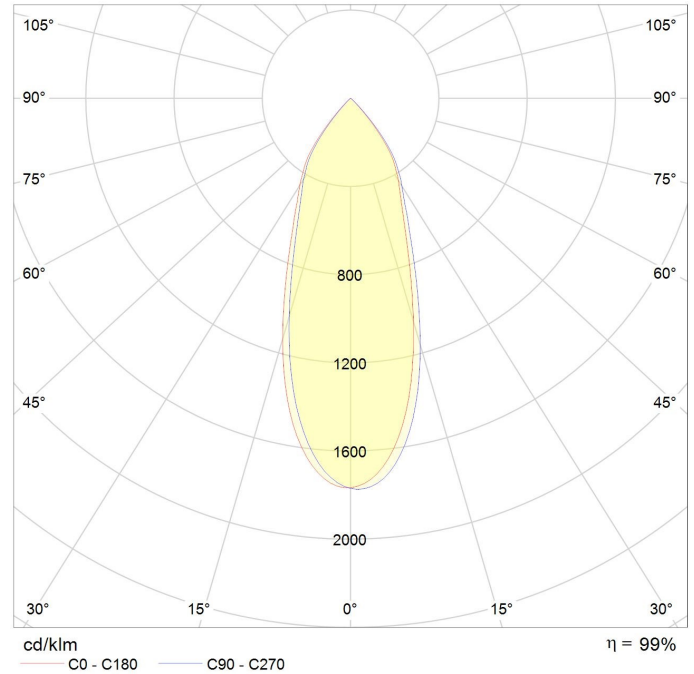
LIGHTING CHARACTERISTICS

Light color	2700K/3000K/4000K DW :(dim to warm) (1800 - 3000K)
Lumen output	2700K: 820 lm 3000K: 886 lm 4000K: 1047 lm
Beam angle	2700K: 25°/40° 3000K: 25°/40° 4000K: 40° DW: 40°
CRI	RA90+
LEDtype	CREE
Lifetime	L80B10 50000h
SDCM	3
Flux Code	25°: 97 100 100 100 100 40°: 96 100 100 100 100





CERE11 - beam angle 25°



CERE11 - beam angle 40°

PRODUCTTYPE	POWER	LIGHT COLOR	BEAM ANGLE	COLOR
EE- CERE	11	/ 27	- 25	B
CONCEPT E ROUND EDGE	WATT	KELVIN	°	BLACK/WHITE

. ROUND EDGE

EE-CERE11/27-25B	Round Edge 11W 2700°K 25° Zwart
EE-CERE11/27-25W	Round Edge 11W 2700°K 25° Wit
EE-CERE11/27-40B	Round Edge 11W 2700°K 40° Zwart
EE-CERE11/27-40W	Round Edge 11W 2700°K 40° Wit
EE-CERE11/30-25B	Round Edge 11W 3000°K 25° Zwart
EE-CERE11/30-25W	Round Edge 11W 3000°K 25° Wit
EE-CERE11/30-40B	Round Edge 11W 3000°K 40° Zwart
EE-CERE11/30-40W	Round Edge 11W 3000°K 40° Wit
EE-CERE11/40-40B	Round Edge 11W 4000°K 40° Zwart
EE-CERE11/40-40W	Round Edge 11W 4000°K 40° Wit
EE-CERE11/DW-40B	Round Edge 11W DW 40° Zwart
EE-CERE11/DW-40W	Round Edge 11W DW 40° Wit

. ROUND EDGE IP54

EE-CERE11/27-25B-IP54	Round Edge 11W 2700°K 25° Zwart, IP54
EE-CERE11/27-25W-IP54	Round Edge 11W 2700°K 25° Wit, IP54
EE-CERE11/27-40B-IP54	Round Edge 11W 2700°K 40° Zwart, IP54
EE-CERE11/27-40W-IP54	Round Edge 11W 2700°K 40° Wit, IP54
EE-CERE11/30-25B-IP54	Round Edge 11W 3000°K 25° Zwart, IP54
EE-CERE11/30-25W-IP54	Round Edge 11W 3000°K 25° Wit, IP54
EE-CERE11/30-40B-IP54	Round Edge 11W 3000°K 40° Zwart, IP54
EE-CERE11/30-40W-IP54	Round Edge 11W 3000°K 40° Wit, IP54
EE-CERE11/40-40B-IP54	Round Edge 11W 4000°K 40° Zwart, IP54
EE-CEMRE11/40-40W-IP54	Round Edge 11W 4000°K 40° Wit, IP54
EE-CERE11/DW-40B-IP54	Round Edge 11W DW 40° Zwart, IP54
EE-CERE11/DW-40W-IP54	Round Edge 11W DW 40° Wit, IP54

. ROUND EDGE DALI

EE-CERE11/27-25B-DA	Round Edge 11W 2700°K 25° Zwart, Dali
EE-CERE11/27-25W-DA	RoundEdge 11W 2700°K 25° Wit, Dali
EE-CERE11/27-40B-DA	Round Edge 11W 2700°K 40° Zwart, Dali
EE-CERE11/27-40W-DA	Round Edge 11W 2700°K 40° Wit, Dali
EE-CERE11/30-25B-DA	Round Edge 11W 3000°K 25° Zwart, Dali
EE-CERE11/30-25W-DA	Round Edge 11W 3000°K 25° Wit, Dali
EE-CERE11/30-40B-DA	Round Edge 11W 3000°K 40° Zwart, Dali
EE-CERE11/30-40W-DA	Round Edge 11W 3000°K 40° Wit, Dali
EE-CERE11/40-40B-DA	Round Edge 11W 4000°K 40° Zwart, Dali
EE-CERE11/40-40W-DA	Round Edge 11W 4000°K 40° Wit, Dali
EE-CERE11/DW-40B-DA	Round Edge 11W DW 40° Zwart, Dali
EE-CERE11/DW-40W-DA	Round Edge 11W DW 40° Wit, Dali



. ROUND EDGE DALI IP54

EE-CERE11/27-25B-DA-IP54	Round Edge 11W 2700°K 25° Zwart, Dali, IP54
EE-CERE11/27-25W-DA-IP54	Round Edge 11W 2700°K 25° Wit, Dali, IP54
EE-CERE11/27-40B-DA-IP54	Round Edge 11W 2700°K 40° Zwart, Dali, IP54
EE-CERE11/27-40W-DA-IP54	Round Edge 11W 2700°K 40° Wit, Dali, IP54
EE-CERE11/30-25B-DA-IP54	Round Edge 11W 3000°K 25° Zwart, Dali, IP54
EE-CERE11/30-25W-DA-IP54	Round Edge 11W 3000°K 25° Wit, Dali, IP54
EE-CERE11/30-40B-DA-IP54	Round Edge 11W 3000°K 40° Zwart, Dali, IP54
EE-CERE11/30-40W-DA-IP54	Round Edge 11W 3000°K 40° Wit, Dali, IP54
EE-CERE11/40-40B-DA-IP54	Round Edge 11W 4000°K 40° Zwart, Dali, IP54
EE-CERE11/40-40W-DA-IP54	Round Edge 11W 4000°K 40° Wit, Dali, IP54
EE-CERE11/DW-40B-DA-IP54	Round Edge 11W DW 40° Zwart, Dali, IP54
EE-CERE11/DW-40W-DA-IP54	Round Edge 11W DW 40° Wit, Dali, IP54