

ODL8

EE-ODL8



8W



2700K/3000K



822 lm



100°



Triac

**TECHNICAL FEATURES**

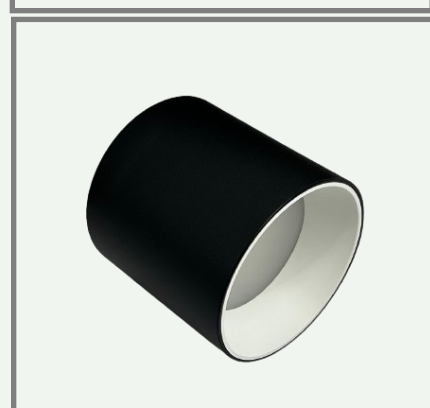
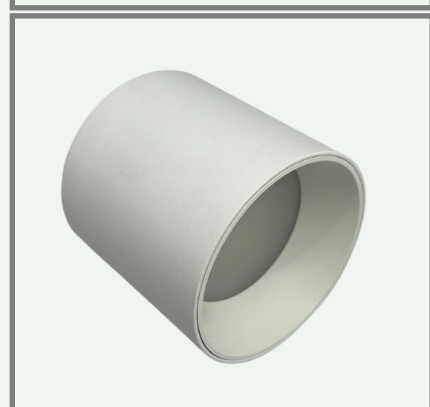
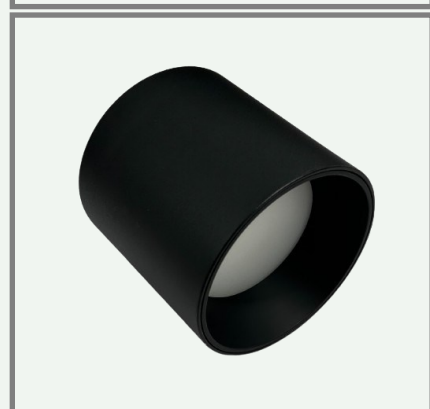
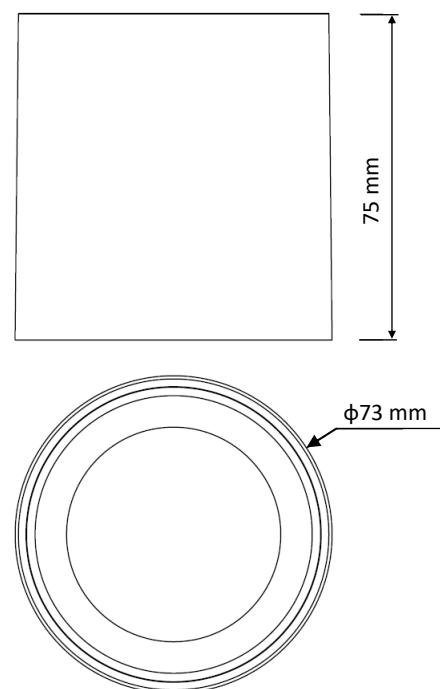
Power	8W
Input voltage	220-240 Vac
Driver	Built-in, Flicker-free Sec: 27-40 Vdc 200mA
Dimmable	Triac
IP rating	20
Max. amb. Temp.	45°C

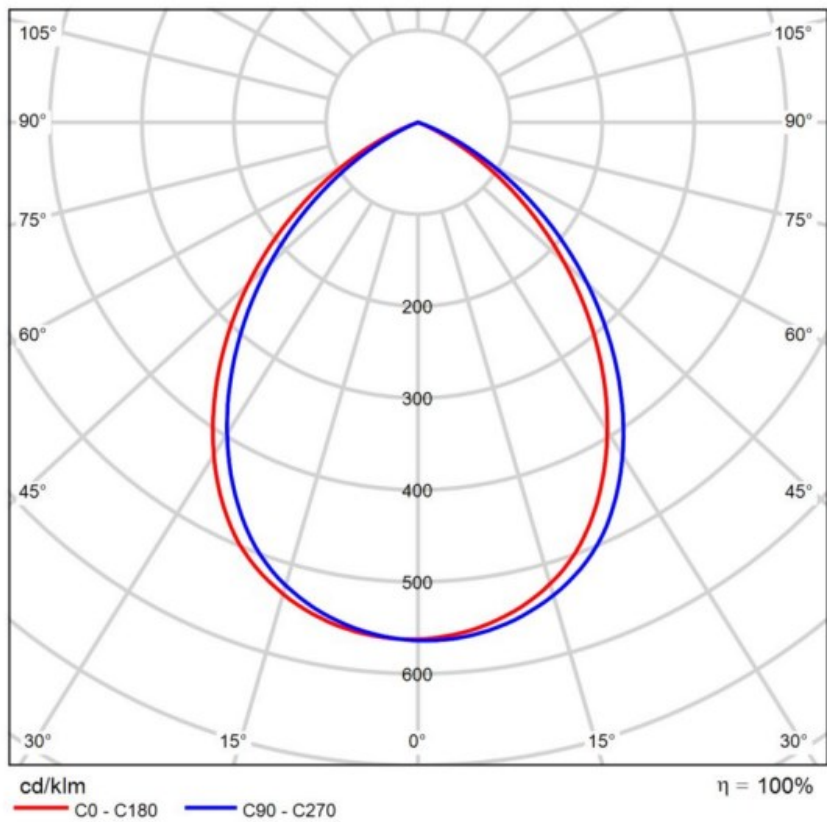
**LIGHTING CHARACTERISTICS**

Light color	2700K/3000K Optional: 4000K
Beam angle	100°
CRI	RA90+
Lumen output	822 lm
LED type	SMD 2835
Life time	50000h
Flux code	68 97 100 100 100

**MEASUREMENTS AND MATERIAL FEATURES**

Measurements	φ73x75 mm
Material	Aluminium
Body color	Black, White
Inside ring color	Black, White Exclusive Metallic Black Exclusive Chrome Exclusive Pearly Silver Exclusive Rose Gold





ODL8/30

Code :

	PRODUCT TYPE	POWER	LIGHT COLOR	BODY COLOR	INSIDE RING COLOR
<b>EE-</b>	<b>ODL</b>	<b>8</b>	<b>/ 30</b>	<b>- W</b>	<b>W</b>
		WATT	3000 KELVIN		