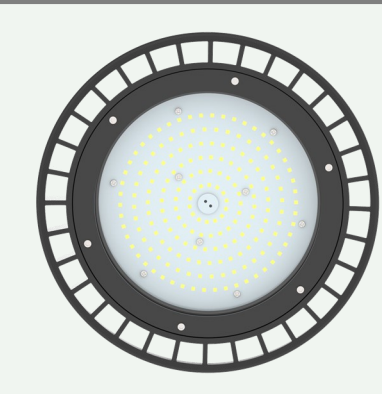
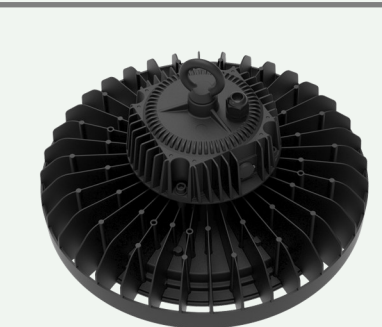


HBT

EE-HBT100



100W



4000K



14 000 lm



110°



Optional
DALI

TECHNICAL FEATURES

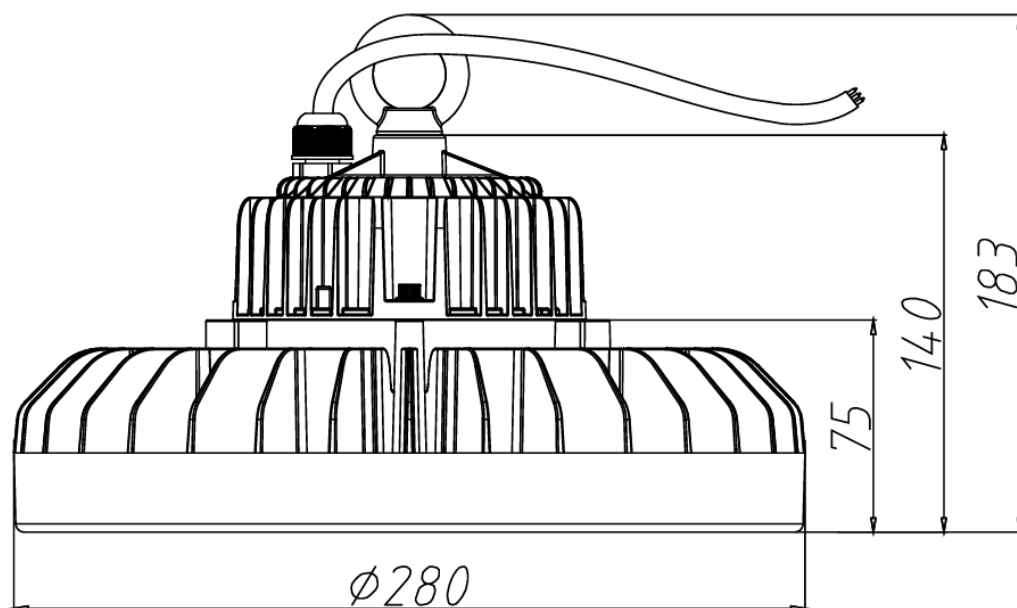
Power	100 W
Input current	100-277 Vac
Dimmable	Optional Dali
IP rating	65
Max. amb. Temp.	50°C

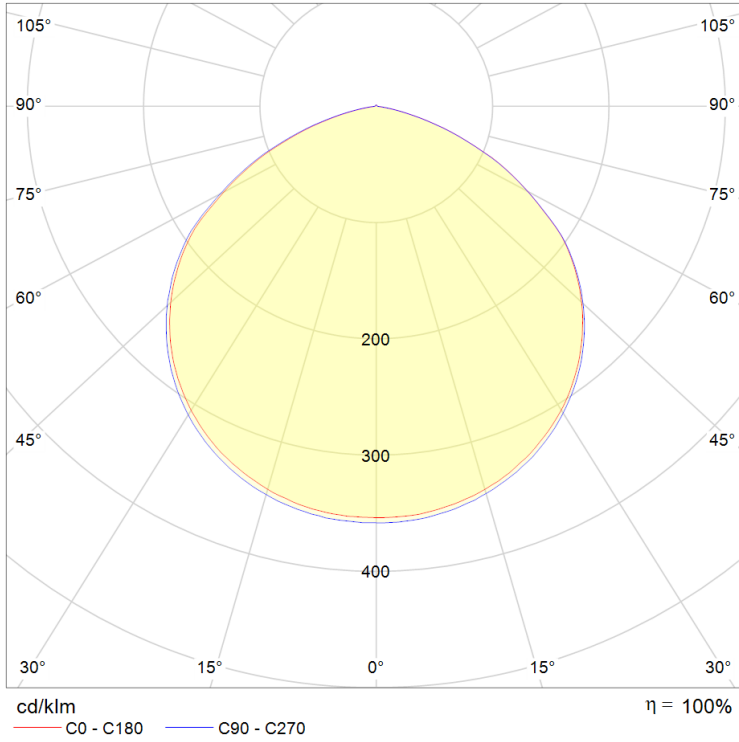
LIGHTING CHARACTERISTICS

Light color	4000 K
Beam angle	110°
CRI	RA80+
Lumen output	14 000 lm
LEDtype	Lumileds 3030
Amount of led's	224

MEASUREMENTS AND MATERIAL FEATURES

Measurements	183 x 280 mm
Material	aluminium
Color	black





HBT100

PRODUCTTYPE	POWER	LIGHT COLOR
EE- HBT	100 / 40	
HIGH BAY	WATT	4000 KELVIN

EE-HBT100 /40

High bay 100W 4000K

EE-HBT100 /40-DA

High bay 100W 4000K Dali