

# INFINITY II AL

**awex**  
EMERGENCY LIGHTING



AC  
220-240V  
50-60Hz

DC  
176-275V

DC  
24V

DC  
48V

LED

IP40

IK08



d=30m



KM 618355  
BS-EN 60598-2-22



## MATERIALS

White, grey or black polycarbonate body • Plexi glass

## MOUNTING

Surface • Recessed <sup>(1)</sup>

## POWER SUPPLY

Self contained – 220 - 240VAC/50 - 60Hz  
Central battery – 220 - 240VAC/50 - 60Hz; 176 - 275VDC  
Central battery FZLV II – 48VDC  
Central battery FZLV – 24VDC

## LIGHT SOURCE

1W, 2W LED  
**Colour temperature:** 6000K  
**Lifetime:** 50000h

## CHARGING

**Standard:** max. 24h  
**Premium:** max. 12h; energy-saving electronic charger

## AUTONOMY AND BATTERIES

**Standard:** 1h or 3h, Ni-Cd 3,6V batteries  
**Premium:** 1h or 3h, LiFePO<sub>4</sub> 6,4V batteries

## INSULATION CLASS

II or III

## IP & IK RATING

IP40, IK08

## VIEWING DISTANCE

30 m

## VIEWING METHOD

Double-sided

## AMBIENT TEMPERATURE

**Self-contained:** t<sub>a</sub>: 0°C ÷ 40°C  
**Central battery:** t<sub>a</sub>: 0°C ÷ 50°C

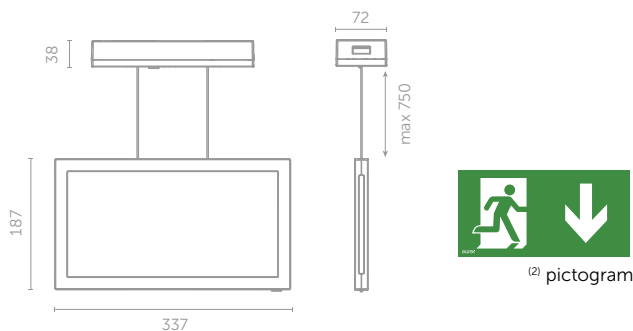
## OPTIONS

SE – non maintained • SA – maintained • AT – autotest • PT – manual test button  
• RU – Rubic UNA central monitoring • RW – Rubic UNA Wireless central monitoring  
• RD – DALI central monitoring • FZLV – central battery FZLV 24VDC • FZLV2 – central battery FZLV II 48VDC • CB – central battery

## ADDITIONAL INFORMATION

LED indicator signalizes mains power supply and battery charge • Deep discharge protection  
• III class of insulation of FZLV and FZLV2 version • <sup>(1)</sup> see accessory for recessed mounting, RW option not available • <sup>(2)</sup> 1pc of universal pictogram is included in each single box

## DIMENSIONS [mm]



**SELF-CONTAINED CONFIGURATION**

	CODE	POWER	MODULE	AUTONOMY [h]		MODE		OPTIONS			COLOR			
				1	3	SE	SA	PT	AT	X	WH	GR	BL	
STANDARD	IF2ALS	1W	E C	1	3	SE	SA	PT	AT	X	WH	GR	BL	
		2W	E C	1	3	SE	SA	PT	AT	X	WH	GR	BL	
PREMIUM	IF2ALS	1W	B	1	3	SE	SA	AT	RU	RW	RD	WH	GR	BL
		2W	B	1	3	SE	SA	AT	RU	RW	RD	WH	GR	BL

**CENTRAL BATTERY CONFIGURATION - NON-ADDRESSABLE**

	CODE	POWER	MODULE	SYSTEM	OPTIONS		COLOR		
					CBS	X	WH	GR	BL
IF2ALS	1W	F		CB	CBS	X	WH	GR	BL
	2W	F		CB	CBS	X	WH	GR	BL

**CENTRAL BATTERY CONFIGURATION – ADDRESSABLE**

	CODE	POWER	MODULE	SYSTEM	OPTIONS		COLOR		
					ADE	ADP	WH	GR	BL
IF2ALS	1W	Z		CB	ADE	ADP	WH	GR	BL
	2W	Z		CB	ADE	ADP	WH	GR	BL

**FZLV SYSTEM CONFIGURATION**

	CODE	POWER	SYSTEM		COLOR		
			FZLV	FZLV2	WH	GR	BL
IF2ALS	1W		FZLV	FZLV2	WH	GR	BL
	2W		FZLV	FZLV2	WH	GR	BL

**LEGEND:**

- IF2ALS fixture INFINITY II AL
- E, C electronic gear for STANDARD self-contained fittings
- B electronic gear for PREMIUM self-contained fittings
- F electronic gear for central battery fittings
- Z electronic gear for addressable central battery fittings
- SE non maintained
- SA maintained
- PT manual test button
- X fitting without additional options
- AT autotest
- RU Rubic UNA central monitoring
- RW Rubic UNA Wireless central monitoring
- RD DALI central monitoring
- FZLV central battery FZLV 24 VDC
- FZLV2 central battery FZLV II 48 VDC
- CB central battery version
- CBS central battery for circuit monitoring
- ADP address module for CBS 1.0 – SMART technology
- ADE address module for CBS 2.0 – SMART technology
- WH white color
- GR grey color
- BL black color

