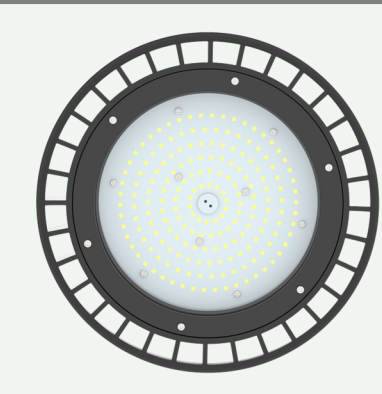
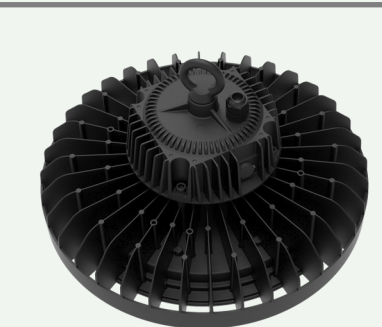


HBT

EE-HBT200



200W



4000K



28 000 lm



110°



Optional  
DALI

**TECHNICAL FEATURES**

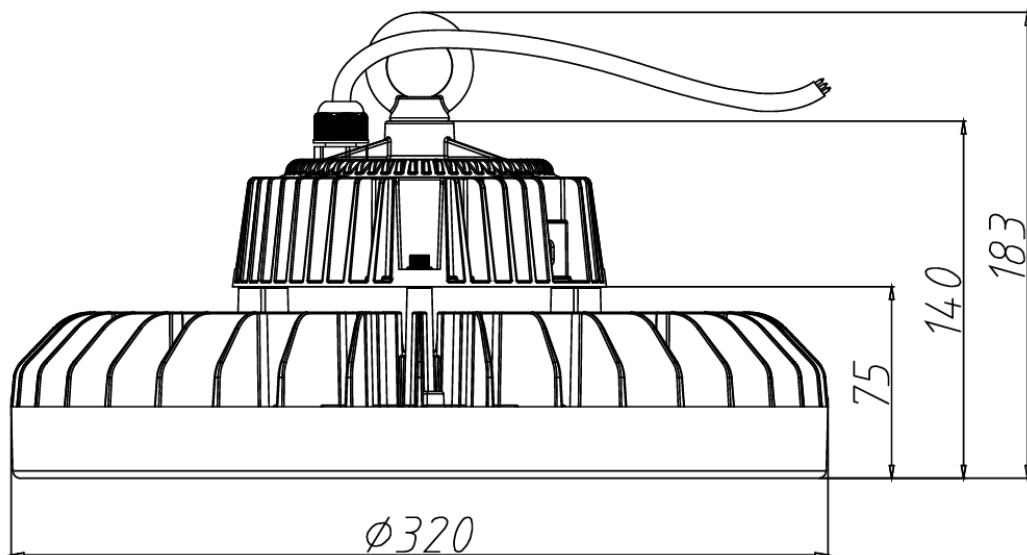
Power	200 W
Input current	100-277 Vac
Dimmable	Optional Dali
IP rating	65
Max. amb. Temp.	50°C

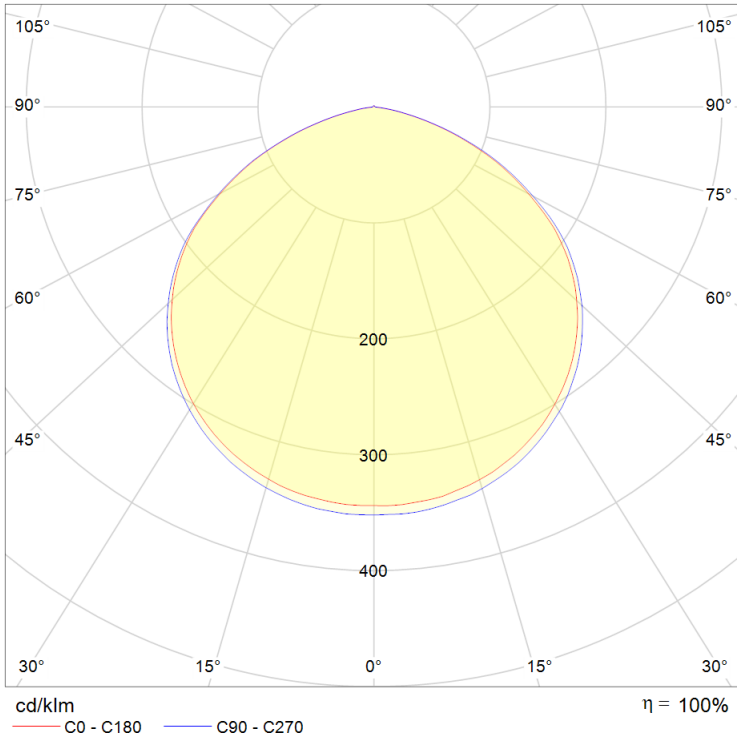
**LIGHTING CHARACTERISTICS**

Light color	4000 K
Beam angle	110°
CRI	RA80+
Lumen output	28 000 lm
LEDtype	Lumileds 3030
Amount of led's	448
Lifetime	50 000h
Waranty	5 years

**MEASUREMENTS AND MATERIAL FEATURES**

Measurements	183 x 320 mm
Material	aluminium
Color	black





HBT200

PRODUCTTYPE	POWER	LIGHT COLOR
<b>EE- HBT</b>	<b>200 / 40</b>	
HIGH BAY	WATT	4000 KELVIN

EE-HBT200 /40

High bay 200W 4000K

EE-HBT200 /40-DA

High bay 200W 4000K Dali