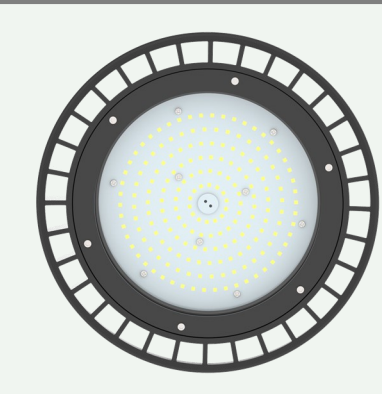
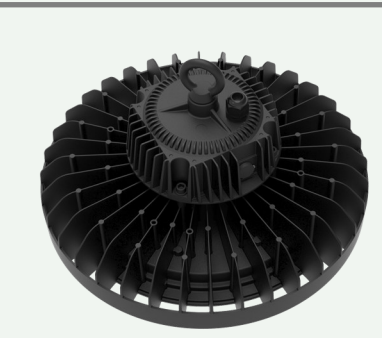


HBT

EE-HBT200/40-170



200W



4000K



34 000 lm



110°



Optional
DALI

TECHNICAL FEATURES

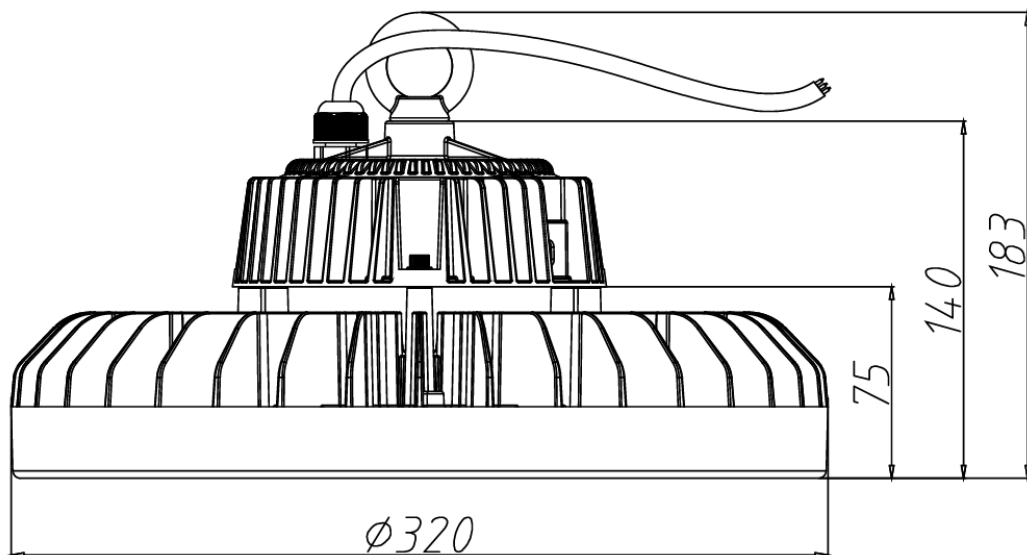
Power	200 W
Input current	100-277 Vac
Dimmable	Optional Dali
IP rating	65
Max. amb. Temp.	50°C

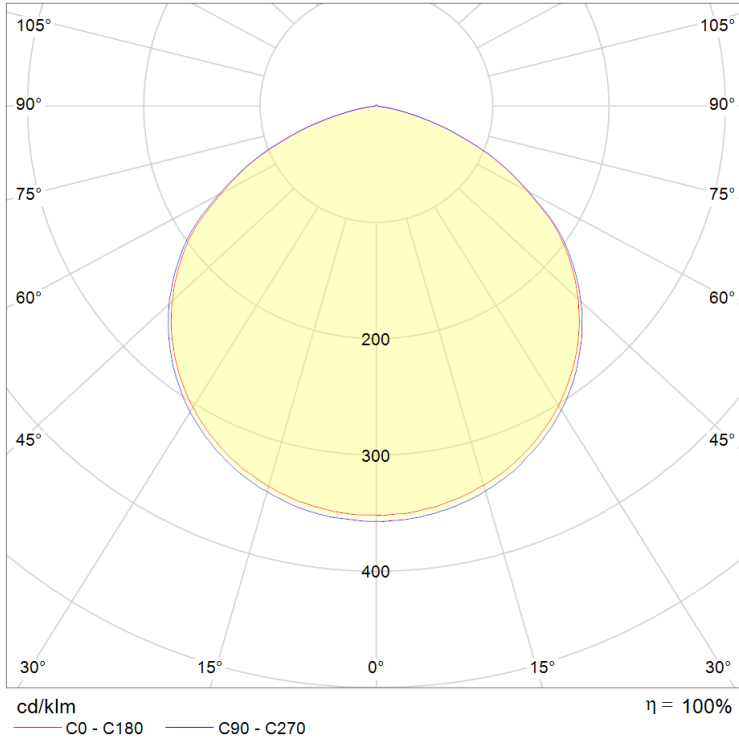
LIGHTING CHARACTERISTICS

Light color	4000 K
Beam angle	110°
CRI	RA80+
Lumen output	34 000 lm
LEDtype	Lumileds 3030
Amount of led's	550
Lifetime	50 000h
Waranty	5 years

MEASUREMENTS AND MATERIAL FEATURES

Measurements	183 x 320 mm
Material	aluminium
Color	black





HBT200/40-170

PRODUCTTYPE	POWER	LIGHT COLOR	Lumen output
EE- HBT	200 / 40	-	170
HIGH BAY	WATT	4000 KELVIN	170 lm/W

EE-HBT200/40-170

High bay 200W 4000K 170lm/W

EE-HBT200/40-170-DA

High bay 200W 4000K 170lm/W Dali