

FLOOD LIGHT

EE-FLG50



50W



3000K/4000K



5500 lm



120°

TECHNICAL FEATURES

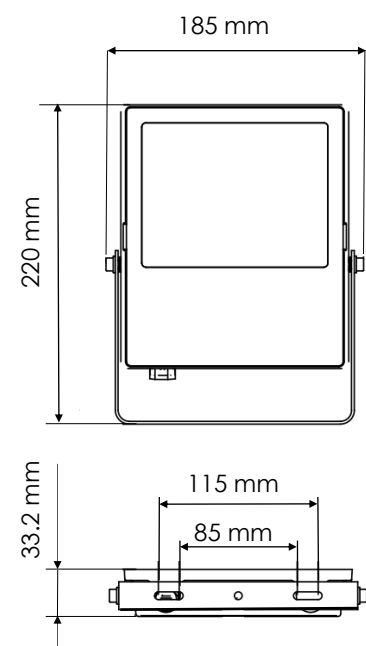
Power	50W
Input current	220-240 Vac
Driver type	DOB
Power factor	0.95
IP rating	IP66
Operating Temp.	-40°C to +45°C

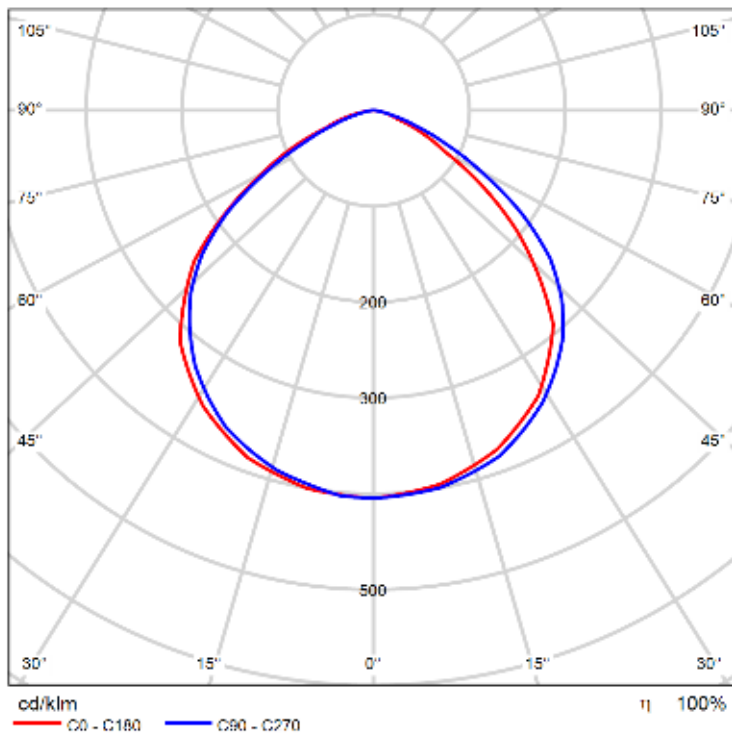
LIGHTING CHARACTERISTICS

Light color	3000K/4000K
CRI	RA>80
Lumen output	5500 lm
LED-type	SMD 2835
Amount of LED's	70
Life time	50000h

MEASUREMENTS AND MATERIAL FEATURES

Measurements	196x188x34 mm
Weight	0.9 Kg
Material	Housing: Aluminium Optics: Woven tempered glass
Color	Black
Mounting Option	Wall mounting / Slip fitter pole installation





FLG50

PRODUCTTYPE	POWER	LIGHT COLOR
EE- FLG	50 /	30
FLOOD LIGHT	50W	3000 K

EE-FLG50/30

50W FLG Straler 3000K Zwart

EE-FLG50/40

50W FLG Straler 4000K Zwart