

LEDSTRIP

SILICONE LED NEON LIGHT

EE-NL0817/10



10W/m



2100K - 6000K



340 lm/m
at 4000K



180°



Dimmable
PWM

TECHNICAL FEATURES

Power	10 W/m Optional: 5 W/m only for single color
Input current	24 Vdc
Dimmable	PWM
IP rating	67
Max. amb. Temp.	-25°C up to 45 °C

MEASUREMENTS AND MATERIAL FEATURES

Measurements	8 x 17 x max.run length mm
Cutable every...	50 mm

LIGHTING CHARACTERISTICS COLORS

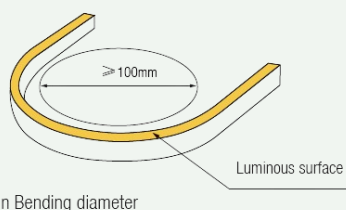
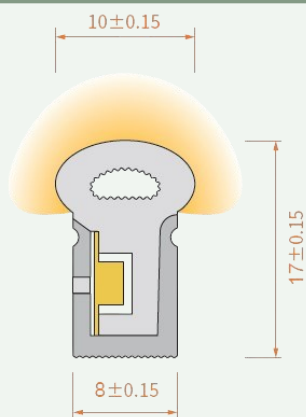
Light color	Red/Green/Blue/Yellow/ Pink/RGB
Beam angle	180°
CRI	—
SDCM	3
Lumen / meter	
R	150 lm/m
G	356 lm/m
B	71 lm/m
Y	116 lm/m
P	148 lm/m
RGB	144 lm/m at RGB

LIGHTING CHARACTERISTICS WHITE

Light color	2100/2400/2700/3000/3500 /4000/5000/6000K
Beam angle	180°
CRI	RA90+
Lumen / meter	2100K: 271 lm/m 2400K: 285 lm/m 2700K: 310 lm/m 3000K: 311 lm/m 3500K: 323 lm/m 4000K: 340 lm/m 5000K: 344 lm/m 6000K: 319 lm/m

LIGHTING CHARACTERISTICS TUNABLE WHITE

Light color	Tunable white ww+w 2200 to 6000K
CRI	RA90+
Lumen / meter	TW: 332 lm/m at ww+w

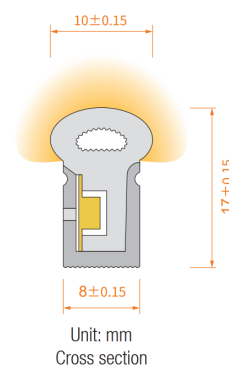
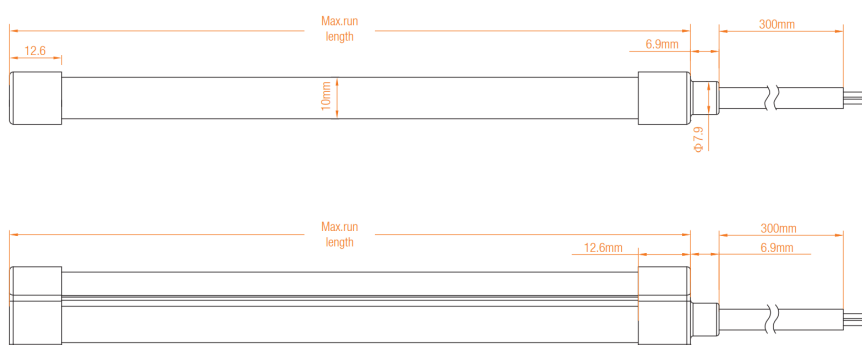


Accessories

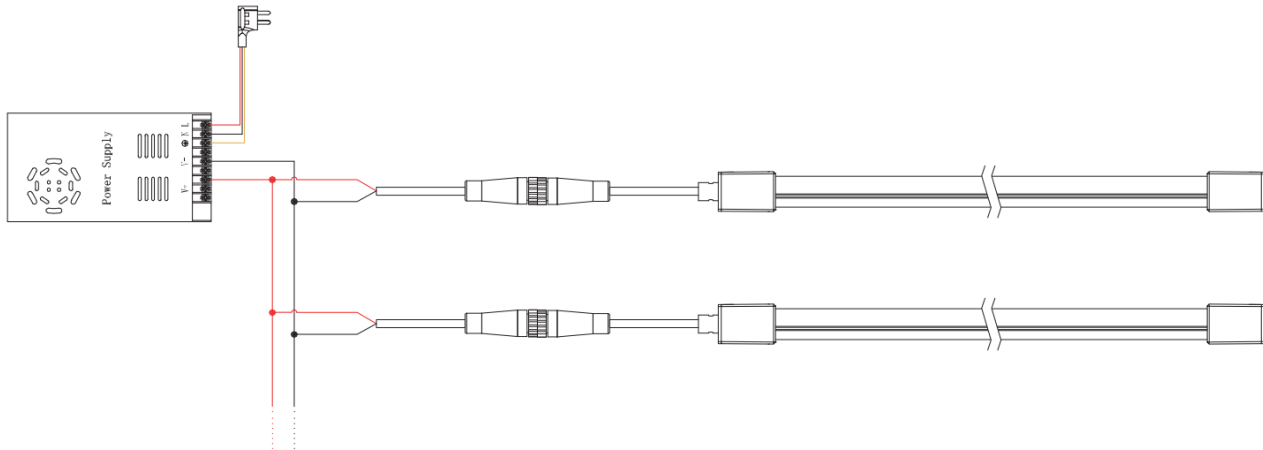
<p>Aluminium profile 1000x10.5x14mm (L x W x H)</p>	
<p>Mounting Clips 20x10.5x14mm (L x W x H)</p>	
<p>End Caps IP67: 2 pin for WHT 3 pin for TW 4 pin for RGB</p>	
<p>IP67 Close End cap</p>	

Light color	Unit cut	Max.run length CV	Max.run length CC
2100K	50 mm	5 m	13 m
2400K	50 mm	5 m	13 m
2700K	50 mm	5 m	13 m
3000K	50 mm	5 m	13 m
3500K	50 mm	5 m	13 m
4000K	50 mm	5 m	13 m
5000K	50 mm	5 m	13 m
6000K	50 mm	5 m	13 m
TW	50 mm	5 m	-
R	50 mm	5 m	17 m
G	50 mm	5 m	13 m
B	50 mm	5 m	13 m
Y	50 mm	5 m	17 m
P	50 mm	5 m	13m
RGB	62.5 mm	5 m	-

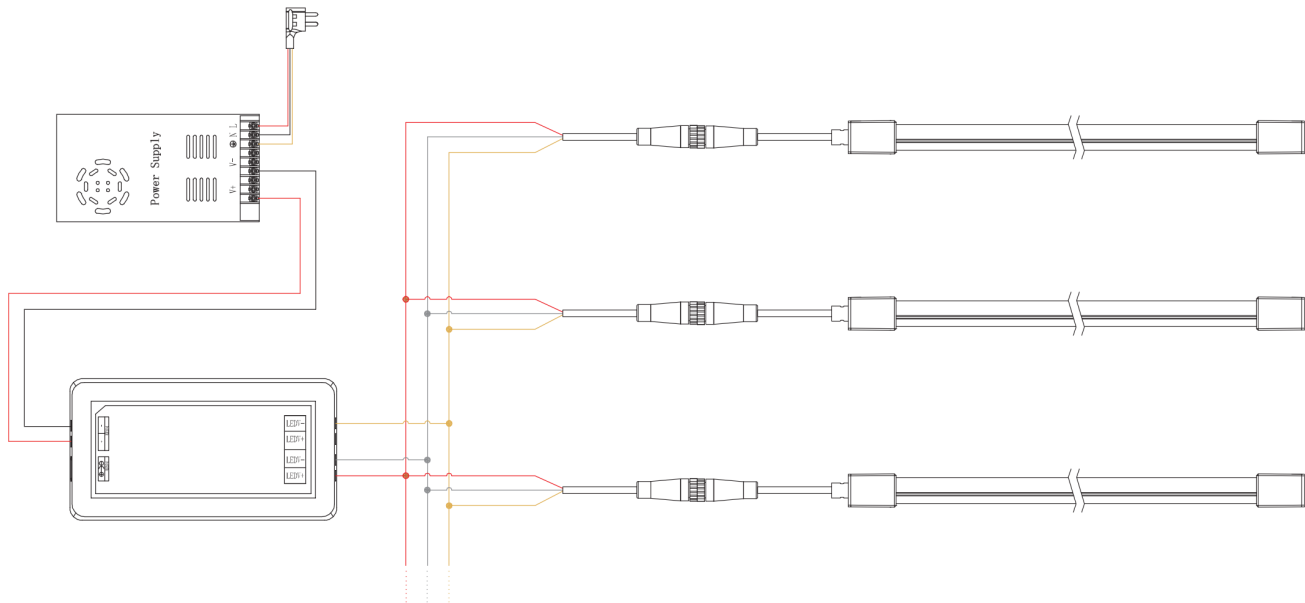
Dimensions



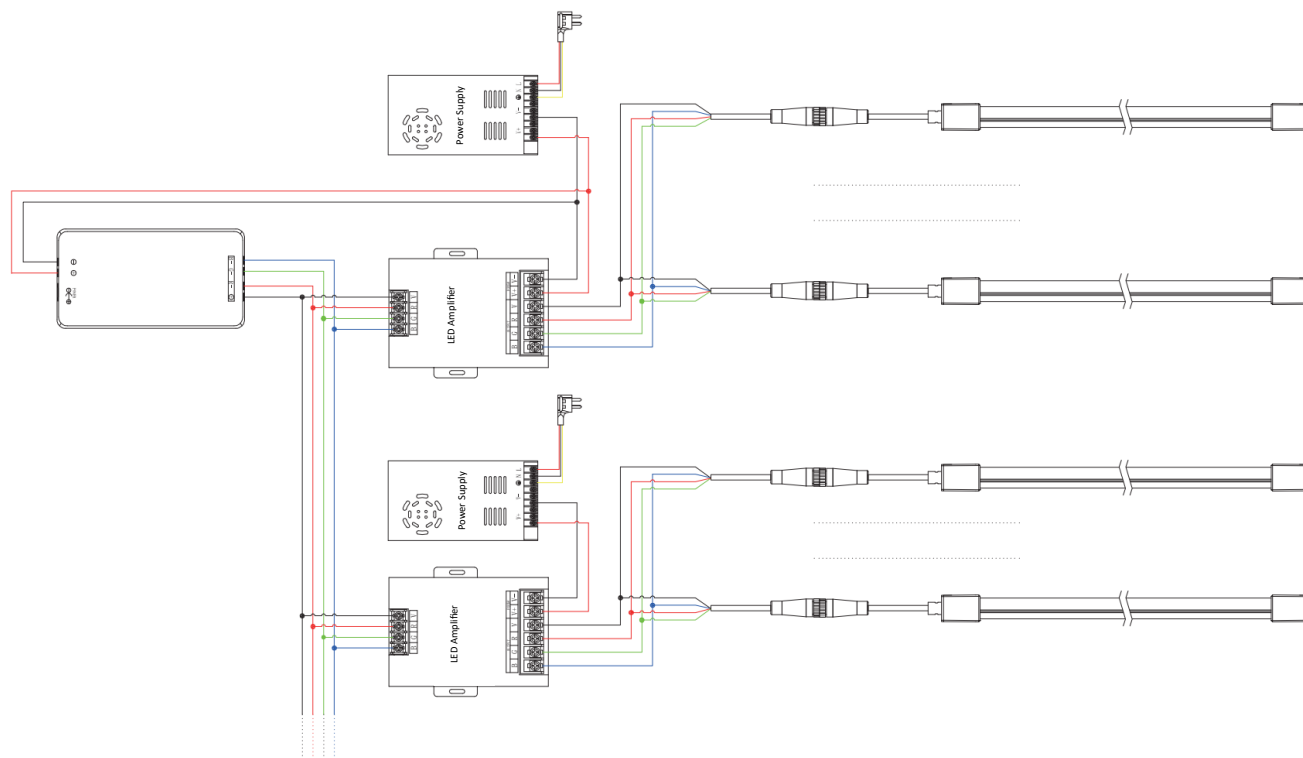
Connection Diagram



Single Color Connection Diagram



Tunable White Connection Diagram



RGB Connection Diagram

PRODUCTTYPE	Dimension	POWER	LIGHT COLOR
EE -NL 0817 / 10 - 24	8x17 mm	WATT/M	2400 KELVIN

SUMMARY PRODUCTCODES LED SELECONE NEON LIGHT 10WATT 8x17 mm

- EE-NL0817/10-21
- EE-NL0817/10-24
- EE-NL0817/10-27
- EE-NL0817/10-30
- EE-NL0817/10-35
- EE-NL0817/10-40
- EE-NL0817/10-50
- EE-NL0817/10-60
- EE-NL0817/10-TW
- EE-NL0817/10-R
- EE-NL0817/10-G
- EE-NL0817/10-B
- EE-NL0817/10-Y
- EE-NL0817/10-P
- EE-NL0817/10-RGB

Accessories CODES FOR LED SELECONE NEON LIGHT 08x17 mm

EE-NLCL/08x17

EE-NLAP/08x17-1000

