

LEDSTRIP

SILICONE LED NEON LIGHT

EE-NL2016/12



12W/m



2100K - 6000K



783 lm/m
at 4000K



120°



Dimmable
PWM

TECHNICAL FEATURES

Power	12W/m
Input current	24 Vdc
Dimmable	PWM
IP rating	67
Max. amb. Temp.	-25°C up to 55 °C

LIGHTING CHARACTERISTICS WHITE

Light color	2100/2400/2700/3000/3500 /4000/5000/6000K
Beam angle	120°
CRI	RA90+
Lumen / meter	2100K: 608 lm/m 2400K: 651 lm/m 2700K: 733 lm/m 3000K: 724 lm/m 3500K: 680 lm/m 4000K: 783 lm/m 5000K: 773 lm/m 6000K: 767 lm/m

MEASUREMENTS AND MATERIAL FEATURES

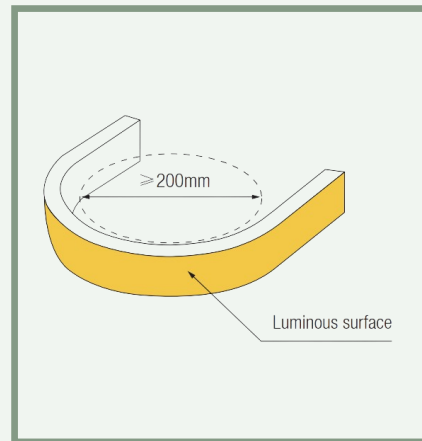
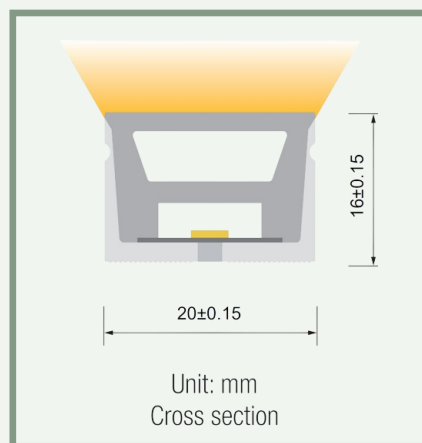
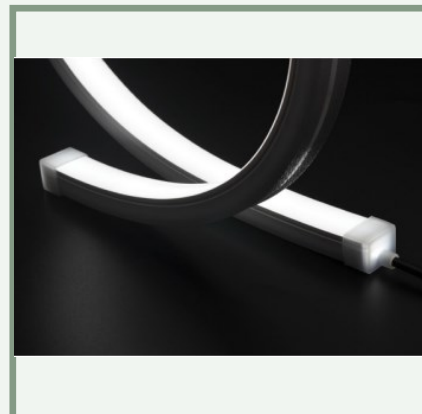
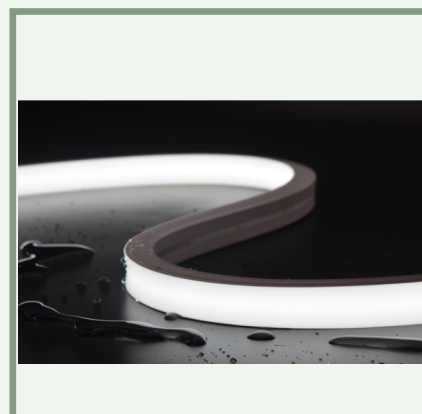
Measurements	20 x 16 x max.run length mm
Cutable every...	50 mm

LIGHTING CHARACTERISTICS COLORS

Light color	Red/Green/Blue/Yellow/ Pink/RGB
Beam angle	120°
CRI	—
SDCM	3
Lumen / meter	
R	353 lm/m
G	788 lm/m
B	169 lm/m
Y	270 lm/m
P	325lm/m
RGB	360.2 lm/m at RGB
RGBW(2700K)	461.6 lm/m at RGBW
RGBW(3000K)	492.3 lm/m at RGBW
RGBW(4000K)	473.5 lm/m at RGBW
RGBW(6000K)	479.6 lm/m at RGBW

LIGHTING CHARACTERISTICS TUNABLE WHITE

Light color	Tunable white ww+w 2200 to 6000K
CRI	RA90+
Lumen / meter	TW: 785 lm/m at ww+w

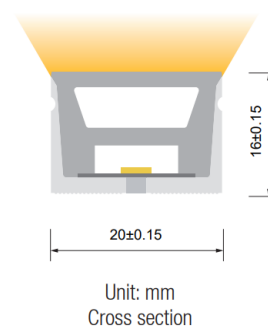
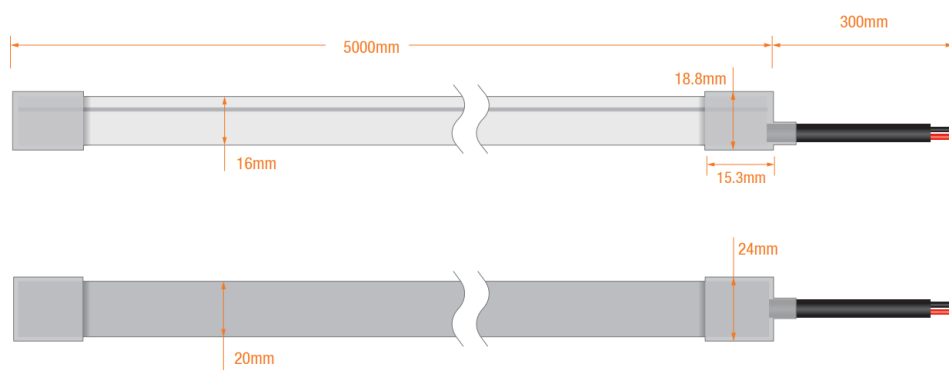


Accessories

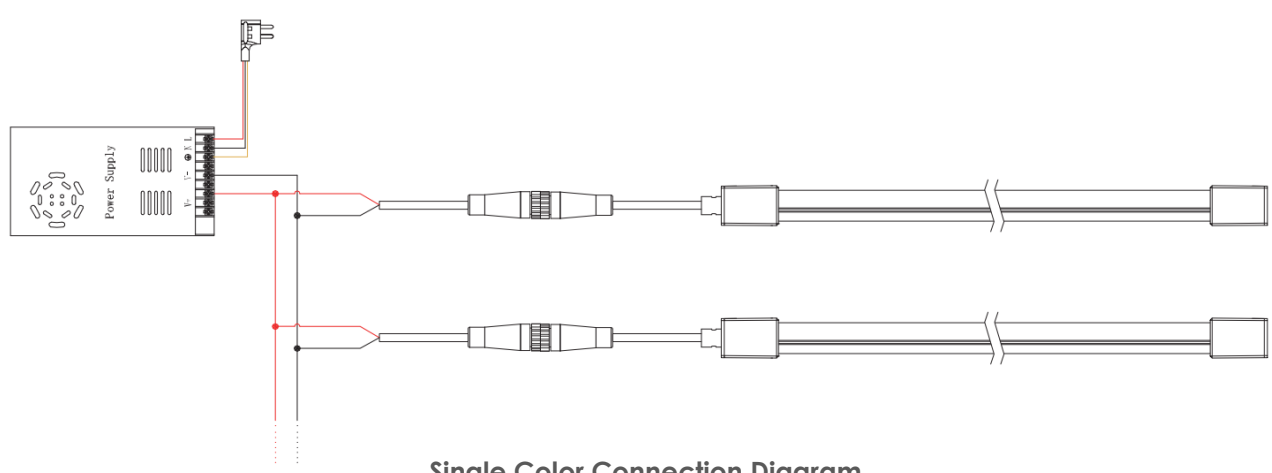
Aluminium profile 1000x23x17.2mm (L x W x H)	
Mounting Clips 20x23x17.2mm (L x W x H)	
End Caps IP67 : 2 pin for WHT 3 pin for TW 4 pin for RGB 5 pin for RGBW	
Close End cap IP67	

Light color	Unit cut	Max.run length CV	Max.run length CC
2100K	50 mm	5 m	17 m
2400K	50 mm	5 m	17 m
2700K	50 mm	5 m	17 m
3000K	50 mm	5 m	17 m
3500K	50 mm	5 m	17 m
4000K	50 mm	5 m	17 m
5000K	50 mm	5 m	17 m
6000K	50 mm	5 m	17 m
TW	50 mm	5 m	-
R	50 mm	5 m	25 m
G	50 mm	5 m	17 m
B	50 mm	5 m	17 m
Y	50 mm	5 m	25 m
P	50 mm	5 m	17m
RGB	62.5 mm	5 m	-
RGBW	62.5 mm	5 m	-

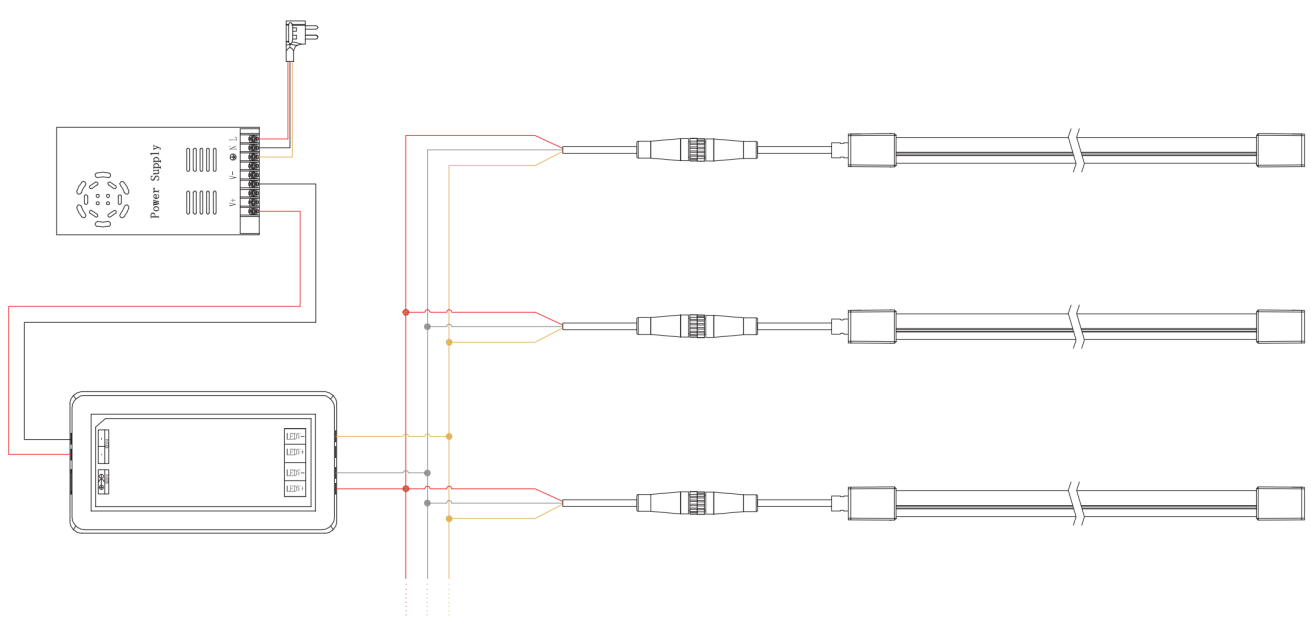
Dimensions



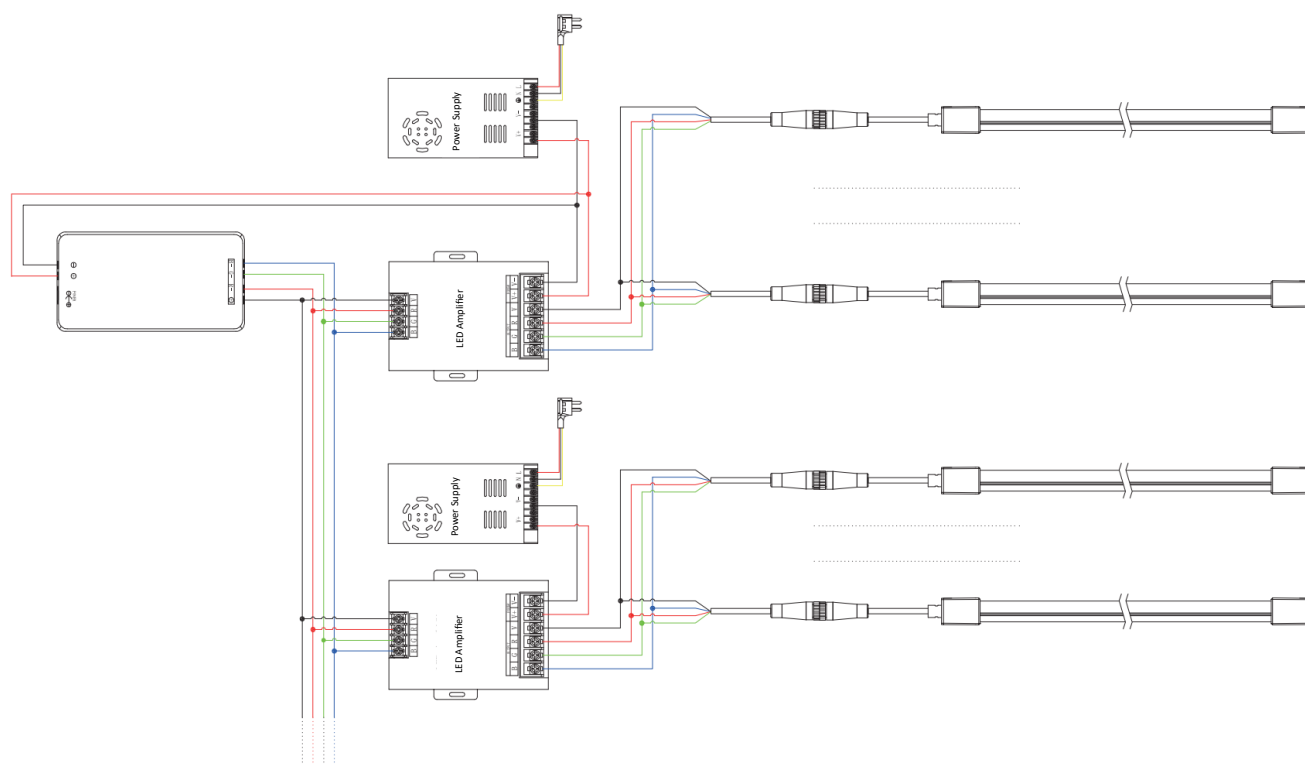
Connection Diagram



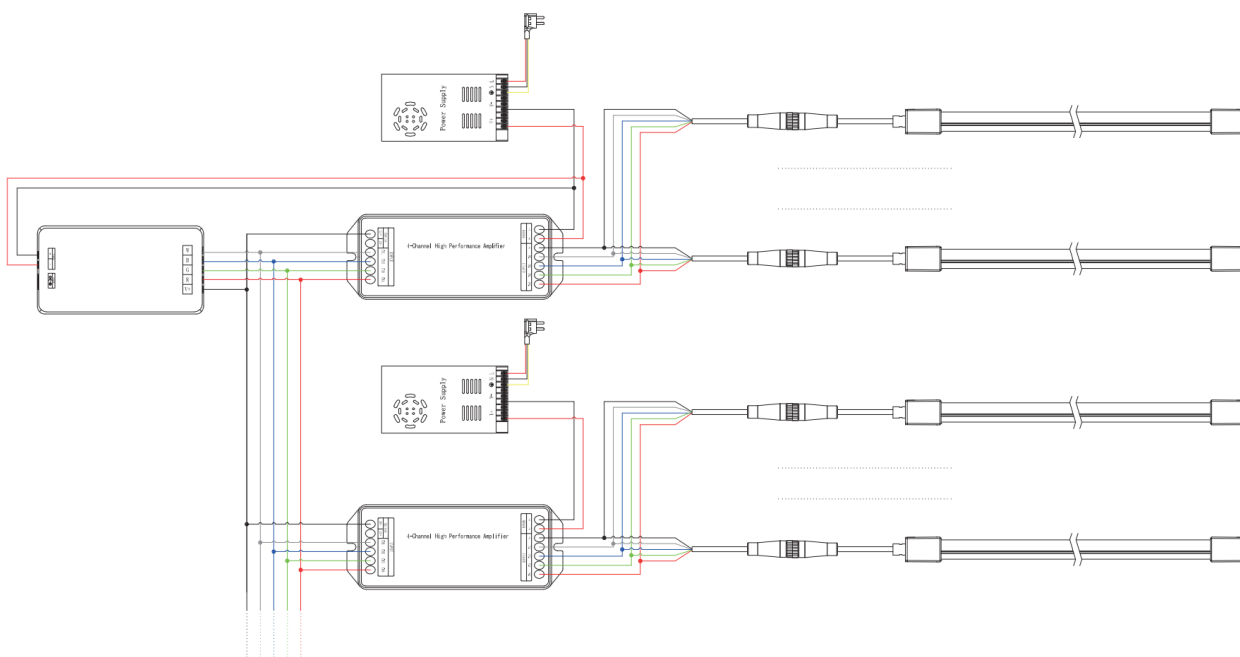
Single Color Connection Diagram



Tunable White Connection Diagram



RGB Connection Diagram



RGBW Connection Diagram

PRODUCTTYPE	Dimension	POWER	LIGHT COLOR
EE	-NL	2016	/ 12 - 24

20x16 mm

WATT/M

2400 KELVIN

SUMMARY PRODUCTCODES LED SELECONE NEON LIGHT 12WATT 20x16 mm

EE-NL2016/12-21	EE-NL2016/12-TW
EE-NL2016/12-24	EE-NL2016/12-R
EE-NL2016/12-27	EE-NL2016/12-G
EE-NL2016/12-30	EE-NL2016/12-B
EE-NL2016/12-35	EE-NL2016/12-Y
EE-NL2016/12-40	EE-NL2016/12-P
EE-NL2016/12-50	EE-NL2016/12-RGB
EE-NL2016/12-60	

Accessories CODES FOR LED SELECONE NEON LIGHT 20x16 mm

EE-NLCL/20x16

EE-NLAP/20x16 -1000