

LEDSTRIP

SILICONE LED NEON LIGHT

EE-NL2016/16



16W/m



2100K - 6000K



1009 lm/m
at 4000K



120°



Dimmable
PWM

TECHNICAL FEATURES

Power	16W/m
Input current	24 Vdc
Dimmable	PWM
IP rating	67
Max. amb. Temp.	-25°C up to 45 °C

LIGHTING CHARACTERISTICS WHITE

Light color	2100/2400/2700/3000/3500 /4000/5000/6000K
Beam angle	120°
CRI	RA90+
Lumen / meter	2100K: 792 lm/m 2400K: 837 lm/m 2700K: 945 lm/m 3000K: 937 lm/m 3500K: 886 lm/m 4000K: 1009 lm/m 5000K: 997 lm/m 6000K: 999 lm/m

MEASUREMENTS AND MATERIAL FEATURES

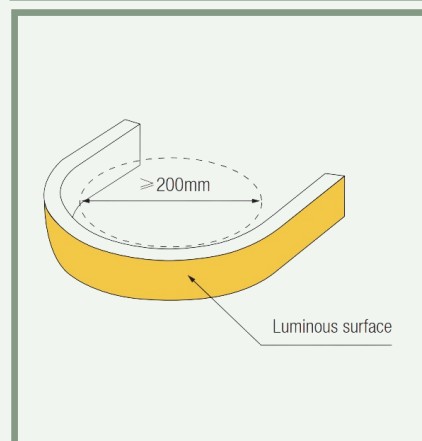
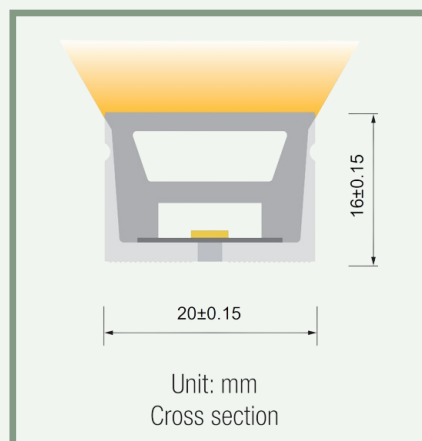
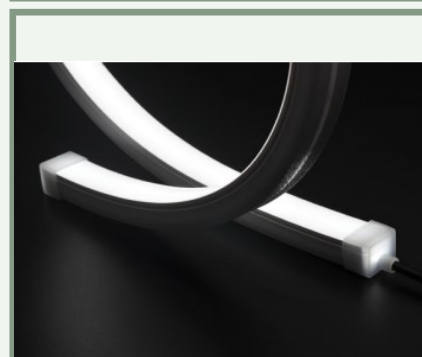
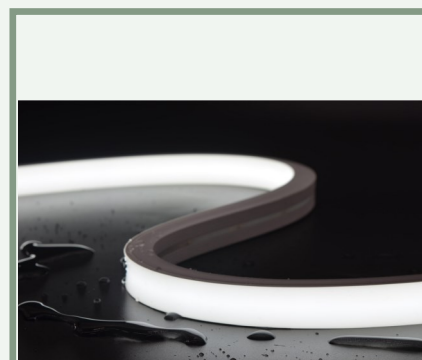
Measurements	20 x 16 x max.run length mm
Cutable every...	50 mm

LIGHTING CHARACTERISTICS COLORS

Light color	Red/Green/Blue/Yellow/ Pink/RGB
Beam angle	120°
CRI	—
SDCM	3
Lumen / meter	
R	458 lm/m
G	973 lm/m
B	214 lm/m
Y	335 lm/m
P	412 lm/m
RGB	450 lm/m at RGB
RGBW(2700K)	617 lm/m at RGBW
RGBW(3000K)	653,7 lm/m at RGBW
RGBW(4000K)	626,2 lm/m at RGBW
RGBW(6000K)	635,1 lm/m at RGBW

LIGHTING CHARACTERISTICS TUNABLE WHITE

Light color	Tunable white ww+w 2200 to 6000K
CRI	RA90+
Lumen / meter	TW: 1013 lm/m at ww+w

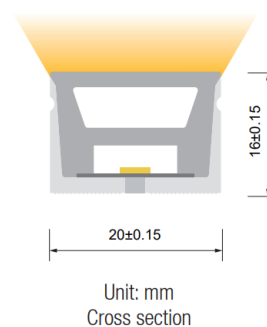
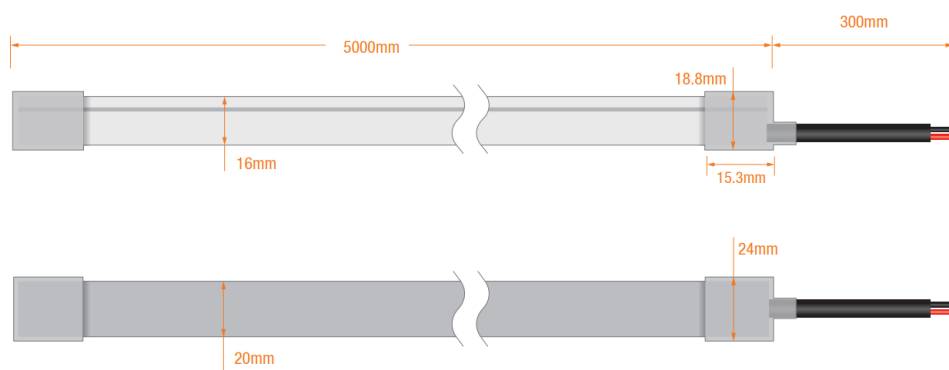


Accessories

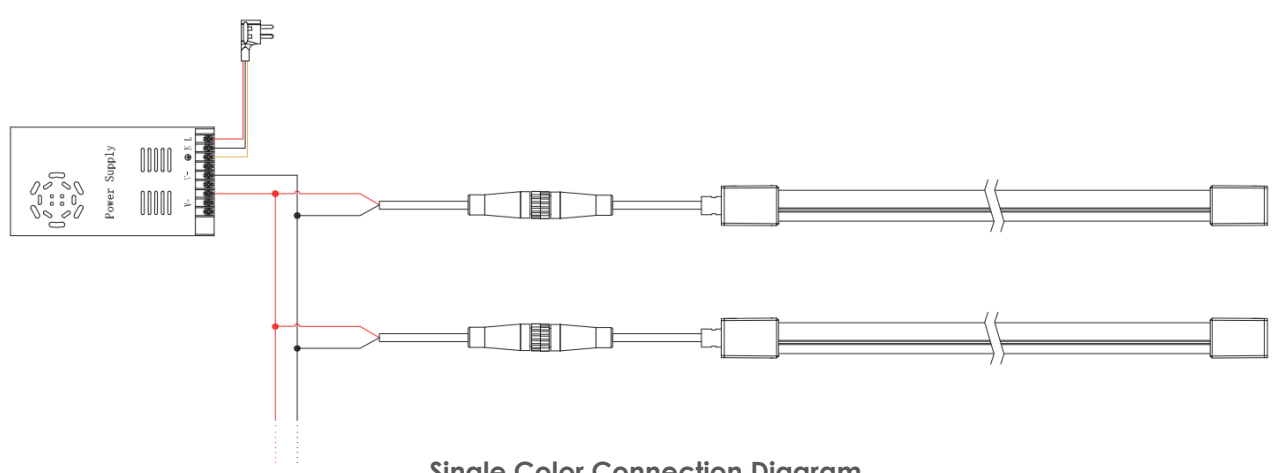
<p>Aluminium profile 1000x23x17.2mm (L x W x H)</p>	
<p>Mounting Clips 20x23x17.2mm (L x W x H)</p>	
<p>End Caps IP67 : 2 pin for WHT 3 pin for TW 4 pin for RGB 5 pin for RGBW</p>	
<p>Close End cap IP67</p>	

Light color	Unit cut	Max.run length CV	Max.run length CC
2100K	50 mm	5 m	14 m
2400K	50 mm	5 m	14 m
2700K	50 mm	5 m	14 m
3000K	50 mm	5 m	14 m
3500K	50 mm	5 m	14 m
4000K	50 mm	5 m	14 m
5000K	50 mm	5 m	14 m
6000K	50 mm	5 m	14 m
TW	50 mm	5 m	-
R	50 mm	5 m	21 m
G	50 mm	5 m	14 m
B	50 mm	5 m	15 m
Y	50 mm	5 m	21 m
P	50 mm	5 m	14 m
RGB	62.5 mm	5 m	-
RGBW	62.5 mm	5 m	-

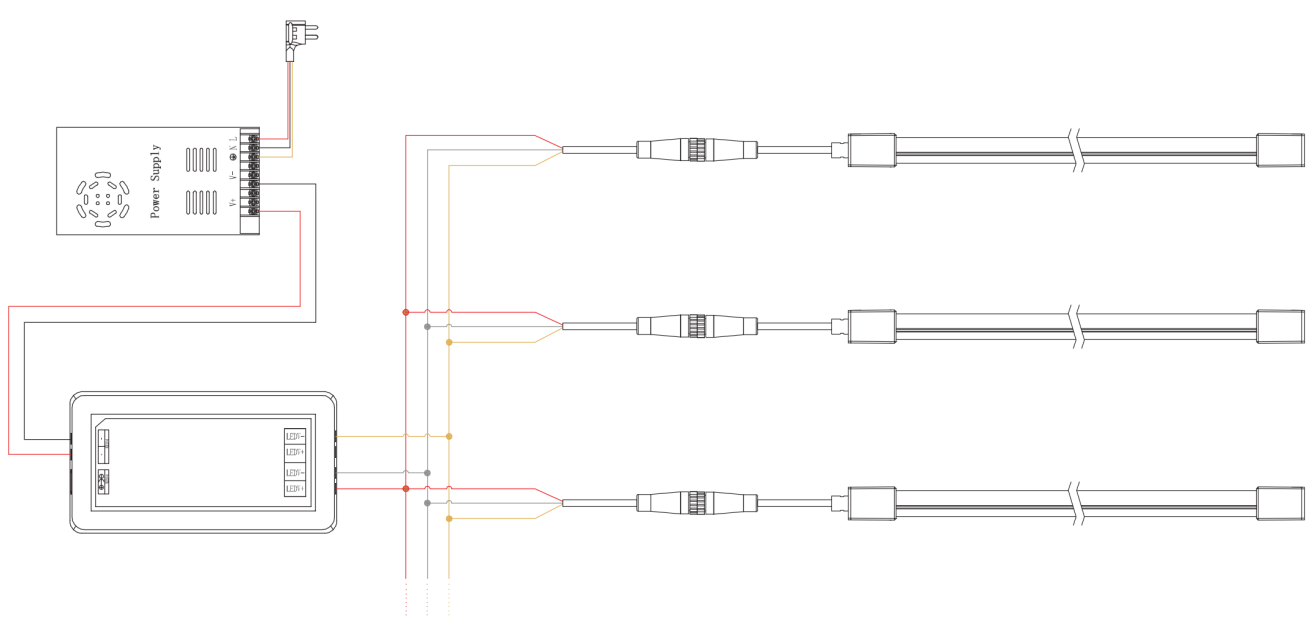
Dimensions



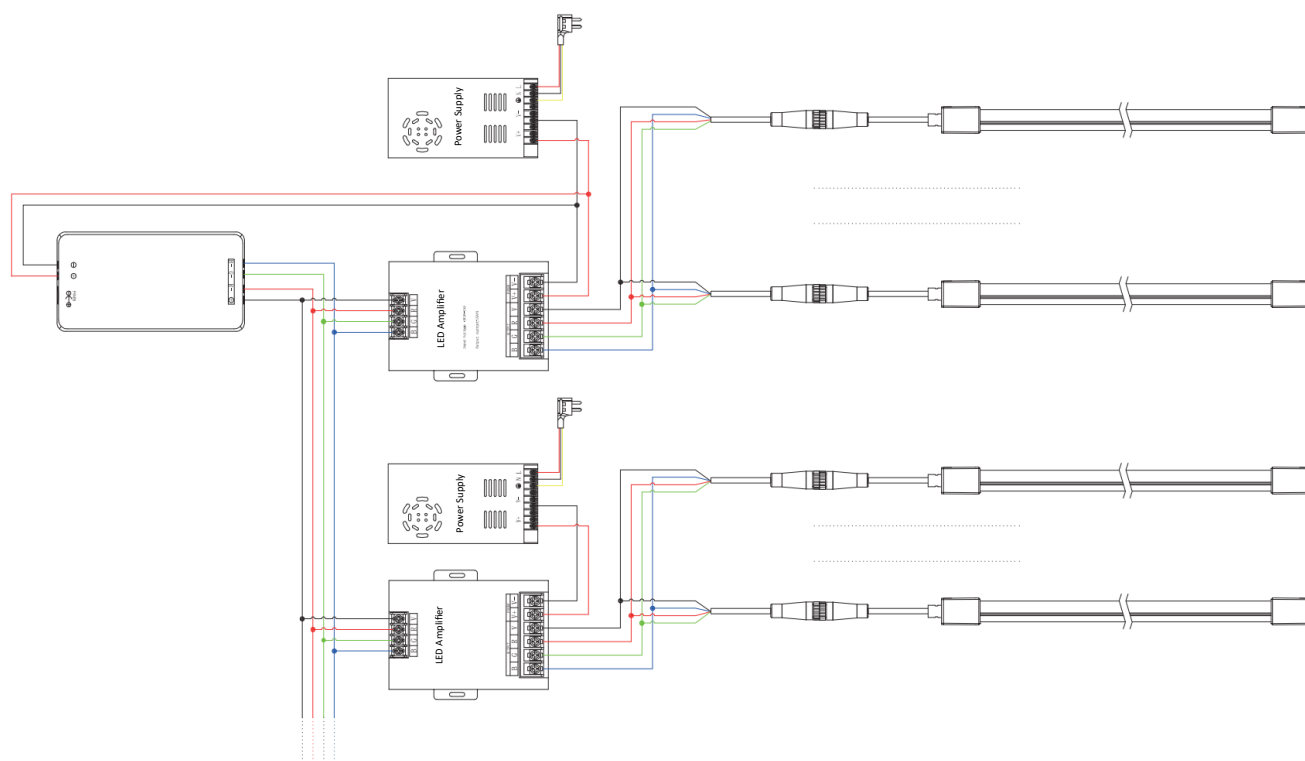
Connection Diagram



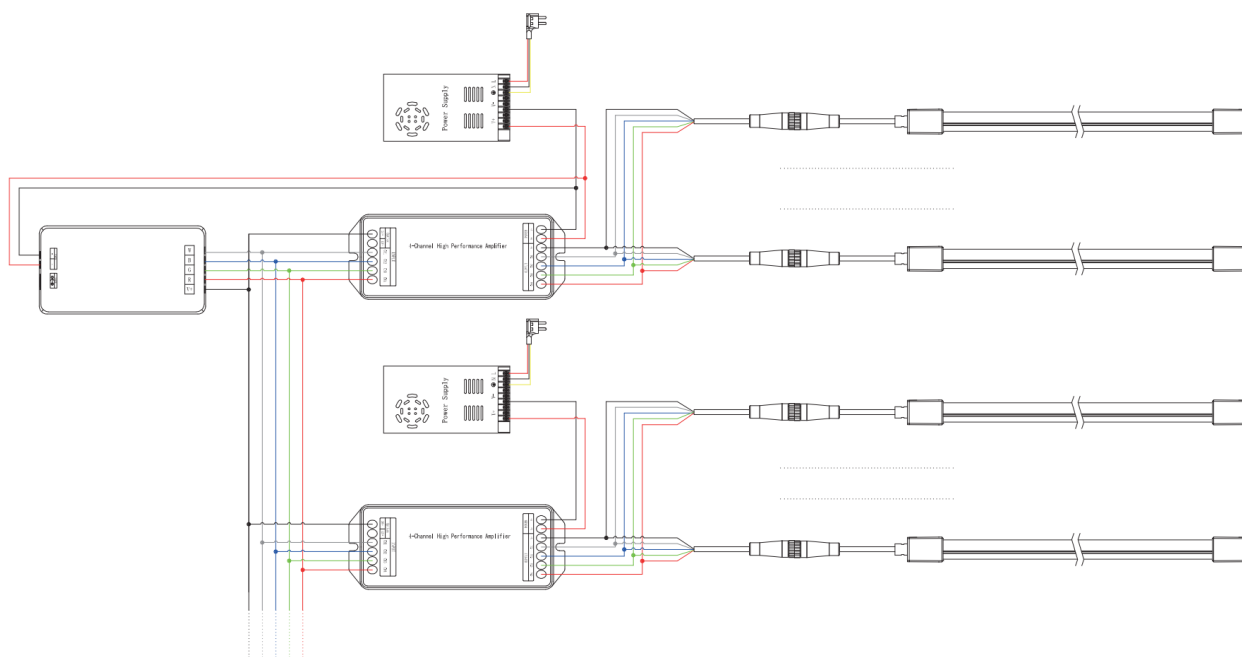
Single Color Connection Diagram



Tunable White Connection Diagram



RGB Connection Diagram



RGBW Connection Diagram

PRODUCTTYPE	Dimension	POWER	LIGHT COLOR
EE	-NL	2016	/ 16 - 24
	20x16 mm	WATT/M	2400 KELVIN

SUMMARY PRODUCTCODES LED SELECONE NEON LIGHT 16WATT 20x16 mm

EE-NL2016/16-21	EE-NL2016/16-TW
EE-NL2016/16-24	EE-NL2016/16-R
EE-NL2016/16-27	EE-NL2016/16-G
EE-NL2016/16-30	EE-NL2016/16-B
EE-NL2016/16-35	EE-NL2016/16-Y
EE-NL2016/16-40	EE-NL2016/16-P
EE-NL2016/16-50	EE-NL2016/16-RGB
EE-NL2016/16-60	

Accessories CODES FOR LED SELECONE NEON LIGHT 20x16 mm

EE-NLCL/20x16

EE-NLAP/20x16 -1000