

LEDSTRIP

SILICONE LED NEON LIGHT

EE-NL2016/20



20W/m



2100K - 6000K



**1220 lm/m
at 4000K**



120°



**Dimmable
PWM**

TECHNICAL FEATURES

Power	20W/m
Input current	24 Vdc
Dimmable	PWM
IP rating	67
Max. amb. Temp.	-25°C up to 35 °C

MEASUREMENTS AND MATERIAL FEATURES

Measurements	20 x 16 x max.run length mm
Cutable every...	50 mm

LIGHTING CHARACTERISTICS COLORS

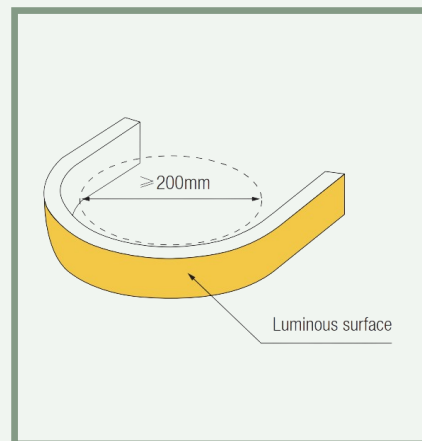
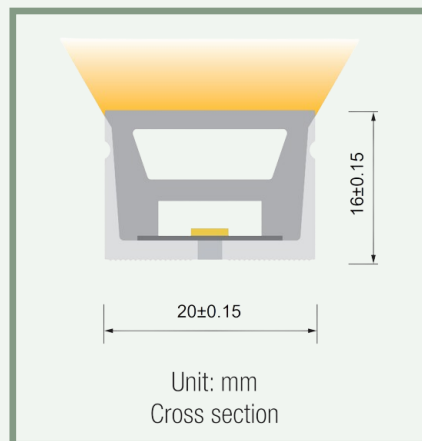
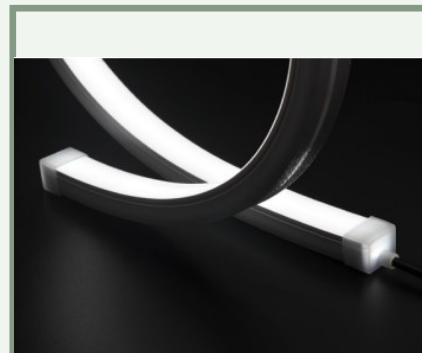
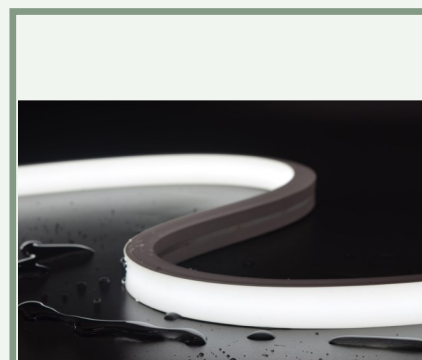
Light color	Red/Green/Blue/Yellow/ Pink/RGB/RGBW
Beam angle	120°
CRI	—
SDCM	3
Lumen / meter	
R	524 lm/m
G	1134 lm/m
B	262 lm/m
Y	344 lm/m
P	502 lm/m
RGB	518,4 lm/m at RGB
RGBW(2700K)	711,5 lm/m at RGBW
RGBW(3000K)	760,2 lm/m at RGBW
RGBW(4000K)	734,7 lm/m at RGBW
RGBW(6000K)	739,6 lm/m at RGBW

LIGHTING CHARACTERISTICS WHITE

Light color	2100/2400/2700/3000/3500 /4000/5000/6000K
Beam angle	120°
CRI	RA90+
Lumen / meter	2100K: 942 lm/m 2400K: 1010 lm/m 2700K: 1136 lm/m 3000K: 1119 lm/m 3500K: 1058 lm/m 4000K: 1220 lm/m 5000K: 1207 lm/m 6000K: 1185 lm/m

LIGHTING CHARACTERISTICS TUNABLE WHITE

Light color	Tunable white ww+w 2200 to 6000K
CRI	RA90+
Lumen / meter	TW: 1258 lm/m at ww+w

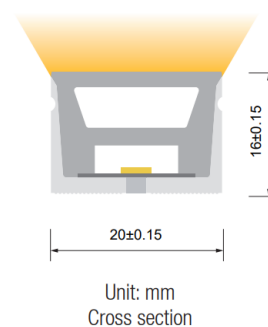
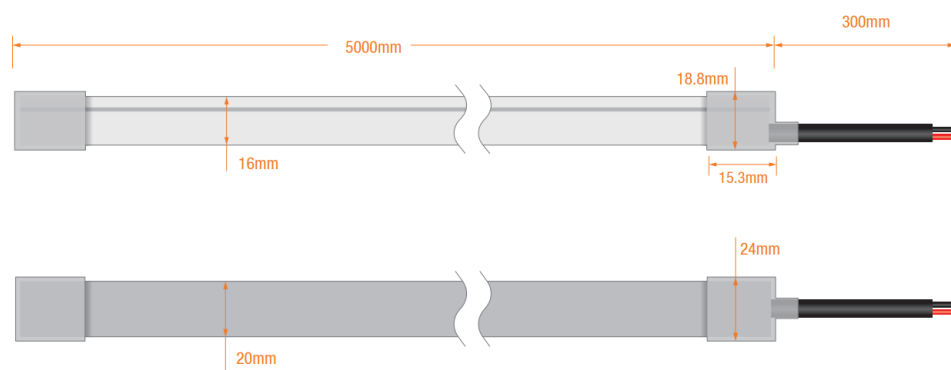


Accessories

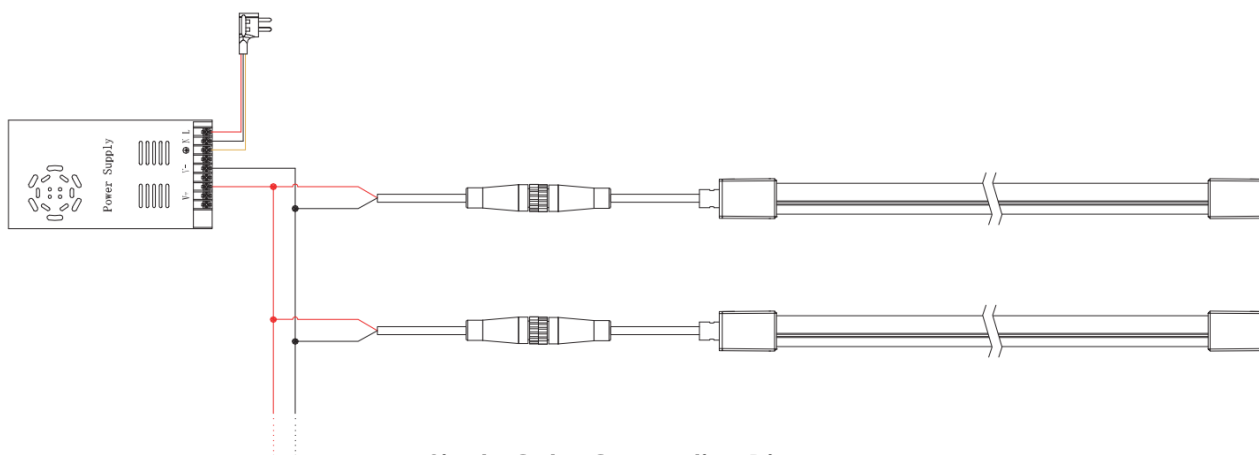
<p>Aluminium profile 1000x23x17.2mm (L x W x H)</p>	
<p>Mounting Clips 20x23x17.2mm (L x W x H)</p>	
<p>End Caps IP67 : 2 pin for WHT 3 pin for TW 4 pin for RGB 5 pin for RGBW</p>	
<p>Close End cap IP67</p>	

Light color	Unit cut	Max.run length CV	Max.run length CC
2100K	50 mm	5 m	12 m
2400K	50 mm	5 m	1 m
2700K	50 mm	5 m	12 m
3000K	50 mm	5 m	12 m
3500K	50 mm	5 m	12 m
4000K	50 mm	5 m	12 m
5000K	50 mm	5 m	12 m
6000K	50 mm	5 m	12 m
TW	50 mm	5 m	-
R	50 mm	5 m	18 m
G	50 mm	5 m	12 m
B	50 mm	5 m	12 m
Y	50 mm	5 m	18 m
P	50 mm	5 m	12 m
RGB	62.5 mm	5 m	-
RGBW	62.5 mm	5 m	-

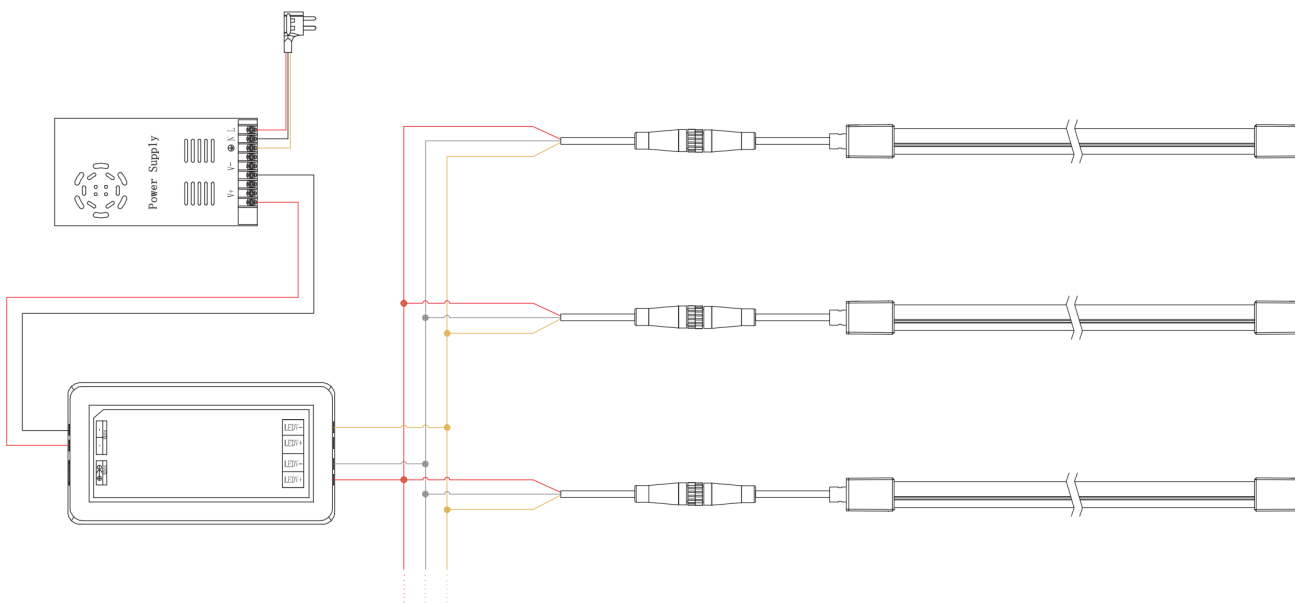
Dimensions



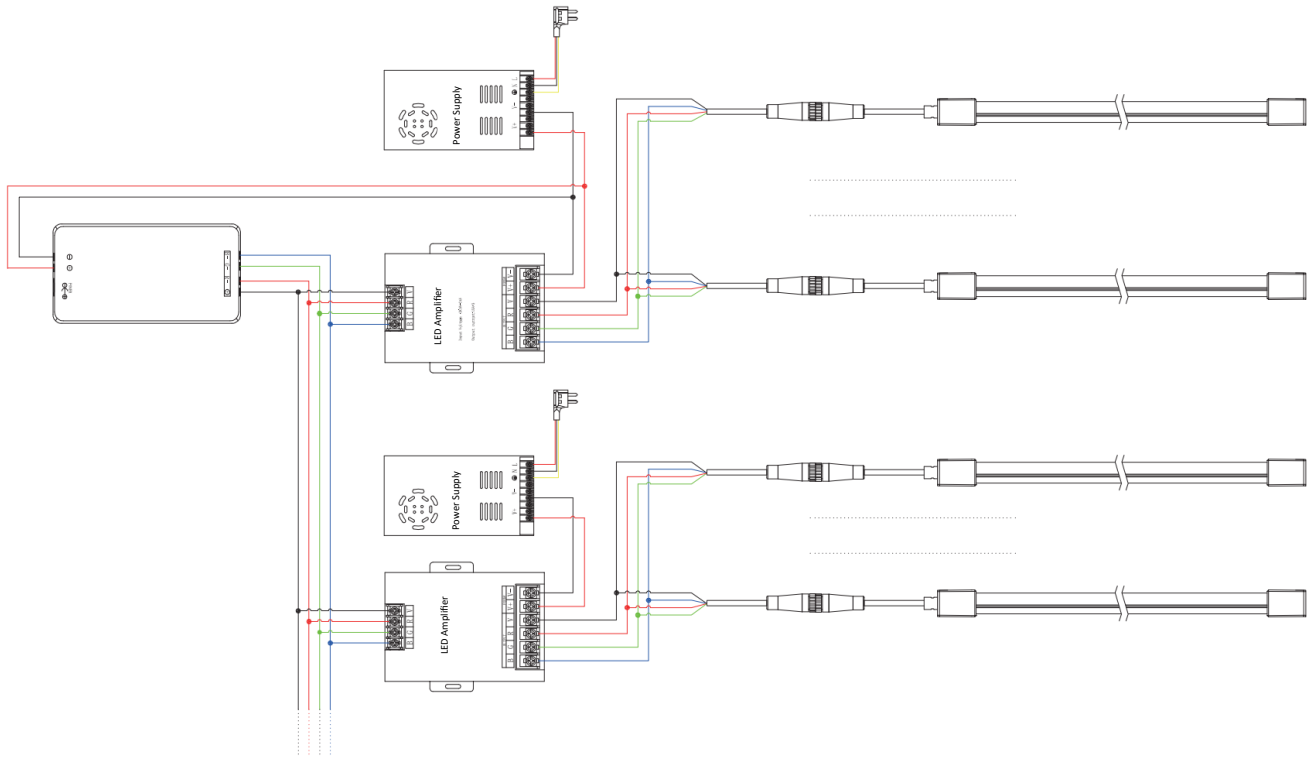
Connection Diagram



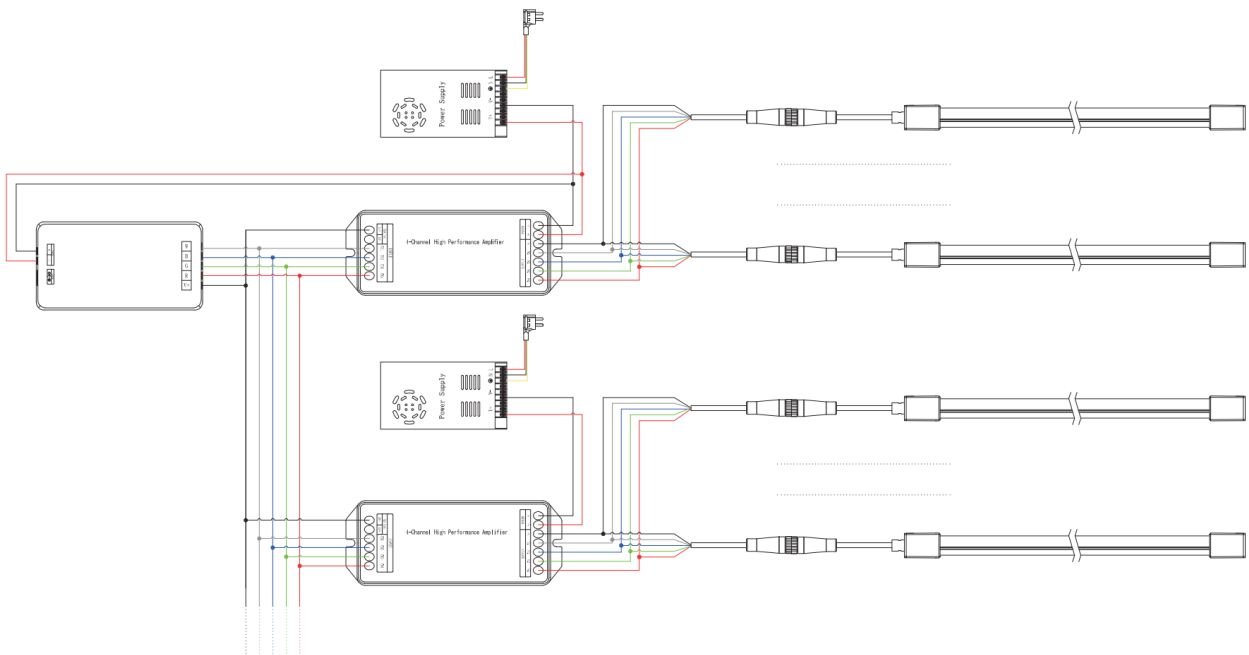
Single Color Connection Diagram



Tunable White Connection Diagram



RGB Connection Diagram



RGBW Connection Diagram

PRODUCTTYPE	Dimension	POWER	LIGHT COLOR
EE	-NL	2016	/ 20 - 24

20x16 mm

WATT/M

2400 KELVIN

SUMMARY PRODUCTCODES LED SELECONE NEON LIGHT 20WATT 20x16 mm

EE-NL2016/20-21	EE-NL2016/20-TW
EE-NL2016/20-24	EE-NL2016/20-R
EE-NL2016/20-27	EE-NL2016/20-G
EE-NL2016/20-30	EE-NL2016/20-B
EE-NL2016/20-35	EE-NL2016/20-Y
EE-NL2016/20-40	EE-NL2016/20-P
EE-NL2016/20-50	EE-NL2016/20-RGB
EE-NL2016/20-60	

Accessories CODES FOR LED SELECONE NEON LIGHT 20x16 mm

EE-NLCL/20x16

EE-NLAP/20x16 -1000