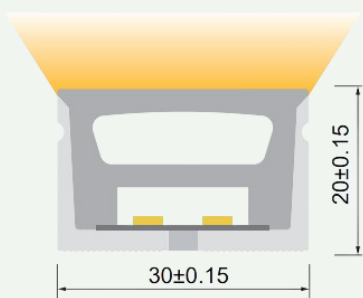
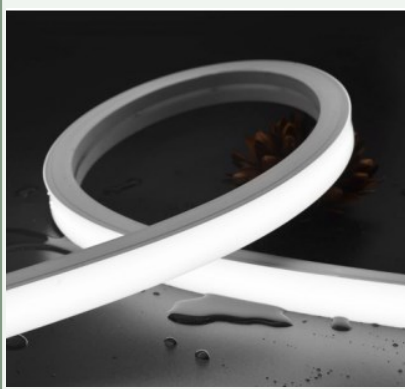


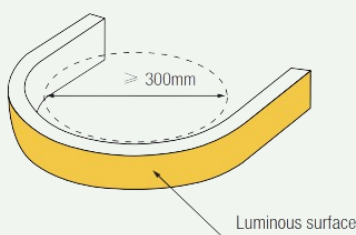
LEDSTRIP

SILICONE LED NEON LIGHT

EE-NL3020/16



Unit: mm
Cross section



16W/m



2100K - 6000K



1050 lm/m
at 4000K



120°



Dimmable
PWM

TECHNICAL FEATURES

Power	16W/m
Input current	24 Vdc
Dimmable	PWM
IP rating	67
Max. amb. Temp.	-25°C up to 55 °C

LIGHTING CHARACTERISTICS WHITE

Light color	2100/2400/2700/3000/3500 /4000/5000/6000K
Beam angle	120°
CRI	RA90+
Lumen / meter	2100K: 836.9 lm/m 2400K: 855.5 lm/m 2700K: 991 lm/m 3000K: 1001 lm/m 3500K: 925.7 lm/m 4000K: 1050 lm/m 5000K: 1067 lm/m 6000K: 962.3 lm/m

MEASUREMENTS AND MATERIAL FEATURES

Measurements	30 x 20 x max.run length mm
Cutable every...	50 mm





LIGHTING CHARACTERISTICS COLORS

Light color	Red/Green/Blue/Yellow/ Pink/RGB/RGBW
Beam angle	120°
CRI	—
SDCM	3
Lumen / meter	
R	435.4 lm/m
G	1071 lm/m
B	221.7 lm/m
Y	352.8 lm/m
P	431.3 lm/m
RGB	461.36 lm/m at RGB
RGBW(2700K)	588.6 lm/m at RGBW
RGBW(3000K)	607.8 lm/m at RGBW
RGBW(4000K)	588.5 lm/m at RGBW
RGBW(6000K)	591.3 lm/m at RGBW

LIGHTING CHARACTERISTICS TUNABLE WHITE

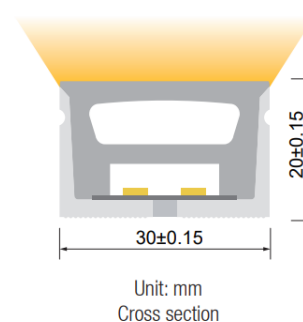
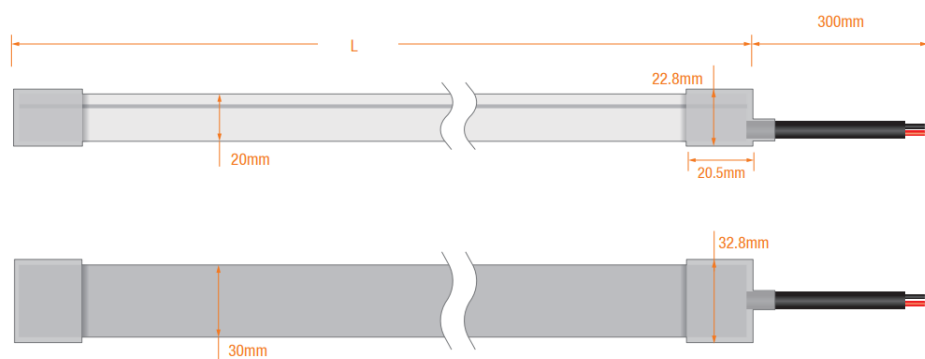
Light color	Tunable white ww+w 2200 to 6000K
CRI	RA90+
Lumen / meter	TW: 1008 lm/m at ww+w

Accessories

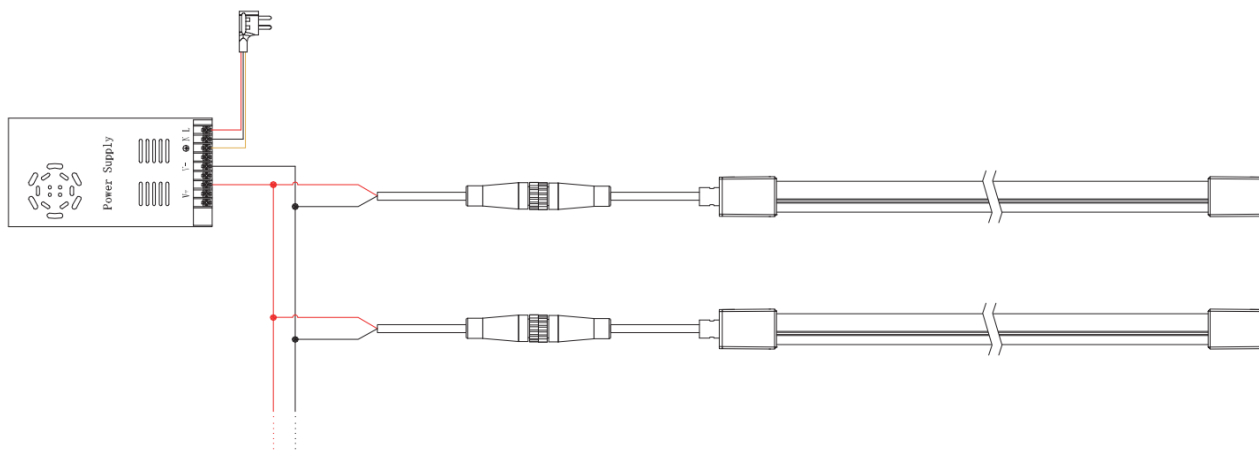
Aluminium profile 1000x33x20mm (L x W x H)	
Mounting Clips 20x33x20mm (L x W x H)	
End Caps IP67: 2 pin for WHT 3 pin for TW 4 pin for RGB 5 pin for RGBW	
Close End cap IP67	

Light color	Unit cut	Max.run length CV	Max.run length CC
2100K	50 mm	5 m	18 m
2400K	50 mm	5 m	18 m
2700K	50 mm	5 m	18 m
3000K	50 mm	5 m	18 m
3500K	50 mm	5 m	18 m
4000K	50 mm	5 m	18 m
5000K	50 mm	5 m	18 m
6000K	50 mm	5 m	18 m
TW	41.66 mm	5 m	-
R	50 mm	5 m	25 m
G	50 mm	5 m	18 m
B	50 mm	5 m	18 m
Y	50 mm	5 m	25 m
P	50 mm	5 m	18m
RGB	41.66 mm	5 m	-
RGBW	41.66 mm		

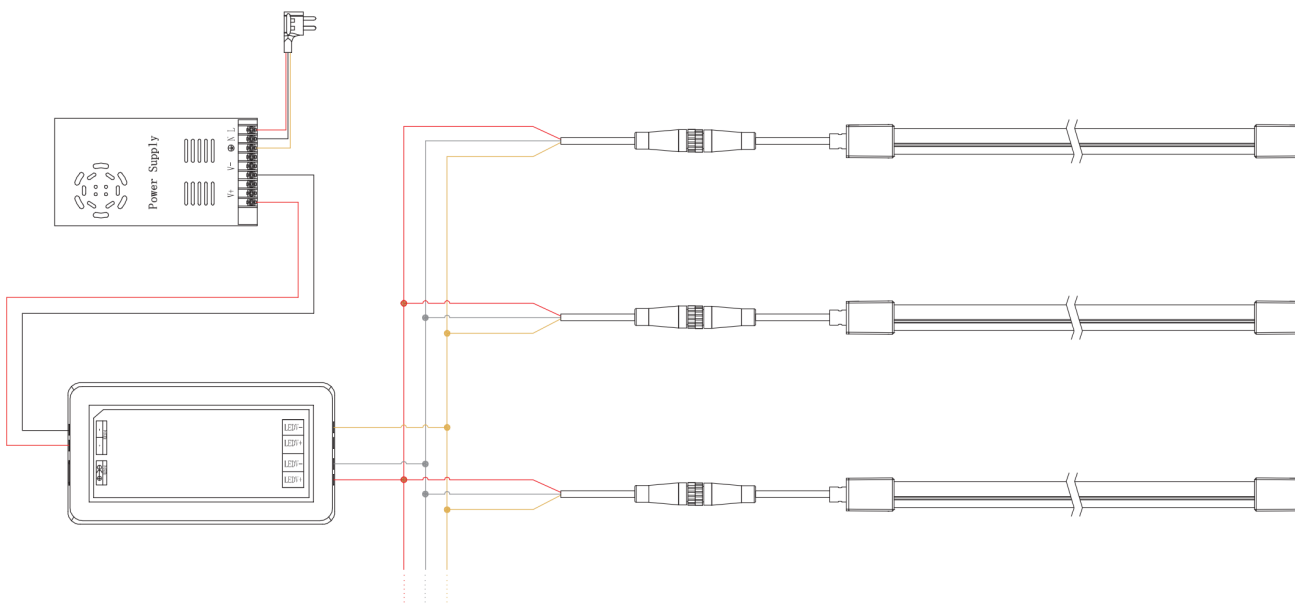
Dimensions



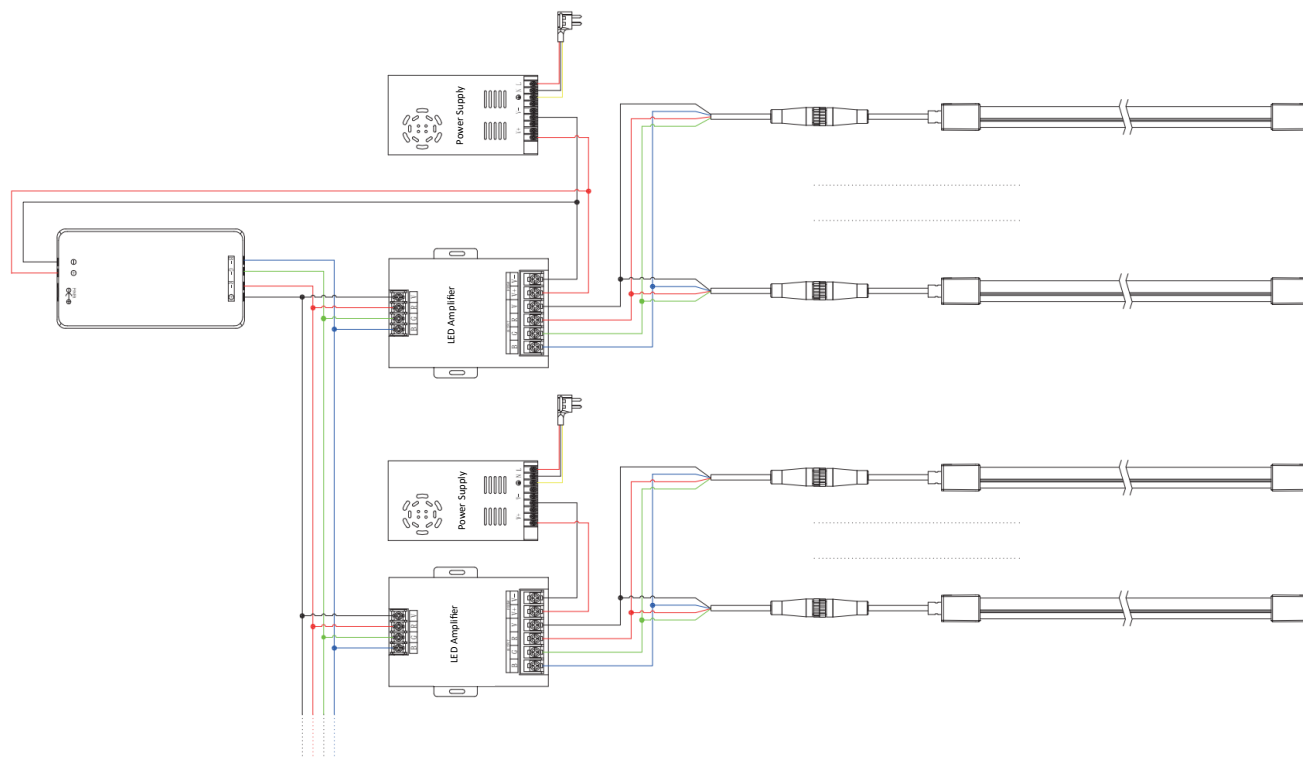
Connection Diagram



Single Color Connection Diagram



Tunable White Connection Diagram



RGB Connection Diagram

PRODUCTTYPE	Dimension	POWER	LIGHT COLOR
EE -NL	3020	/ 16 -	24
	30x20 mm	WATT/M	2400 KELVIN

SUMMARY PRODUCTCODES LED SELECONE NEON LIGHT 10WATT 30x20 mm

- EE-NL3020/16-21 EE-NL3020/16-TW
- EE-NL3020/16-24 EE-NL3020/16-R
- EE-NL3020/16-27 EE-NL3020/16-G
- EE-NL3020/16-30 EE-NL3020/16-B
- EE-NL3020/16-35 EE-NL3020/16-Y
- EE-NL3020/16-40 EE-NL3020/16-P
- EE-NL3020/16-50 EE-NL3020/16-RGB
- EE-NL3020/16-60

Accessories CODES FOR LED SELECONE NEON LIGHT 30x20 mm

- EE-NLCL/30x20
- EE-NLAP/30x20 -1000

