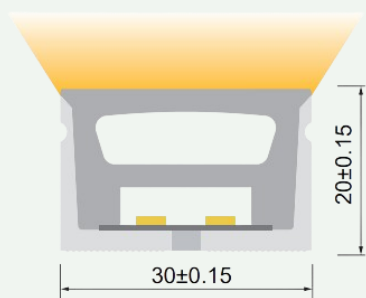
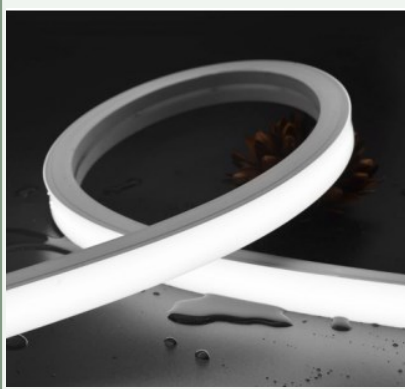


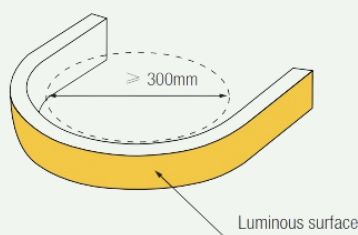
LEDSTRIP

SILICONE LED NEON LIGHT

EE-NL3020/24



Unit: mm
Cross section



24W/m



2100K - 6000K



1511 lm/m
at 4000K



120°



Dimmable
PWM

TECHNICAL FEATURES

Power	24W/m
Input current	24 Vdc
Dimmable	PWM
IP rating	67
Max. amb. Temp.	-25°C up to 35 °C

MEASUREMENTS AND MATERIAL FEATURES

Measurements	30 x 20 x max.run length mm
Cutable every...	50 mm

LIGHTING CHARACTERISTICS COLORS

Light color Red/Green/Blauwe/
Yellow/Pink/RGB/RGBW

Beam angle 120°

CRI —

SDCM 3

Lumen / meter

R 617,5 lm/m

G 1445 lm/m

B 314,3 lm/m

Y 367,8 lm/m

P 613,2 lm/m

RGB 614 lm/m at RGB

RGBW(2700K) 836,8 lm/m at RGBW

RGBW(3000K) 863 lm/m at RGBW

RGBW(4000K) 839,5 lm/m at RGBW

RGBW(6000K) 840,7 lm/m at RGBW

LIGHTING CHARACTERISTICS WHITE

Light color 2100/2400/2700/3000/3500
/4000/5000/6000K

Beam angle 120°

CRI RA90+

Lumen / meter 2100K: 1196 lm/m

2400K: 1226 lm/m

2700K: 1426 lm/m

3000K: 1439 lm/m

3500K: 1333 lm/m

4000K: 1511 lm/m

5000K: 1534 lm/m

6000K: 1390 lm/m





LIGHTING CHARACTERISTICS TUNABLE WHITE

Light color Tunable white ww+w
2200 to 6000K

CRI RA90+

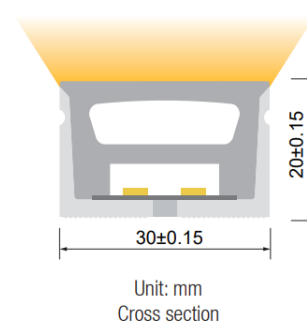
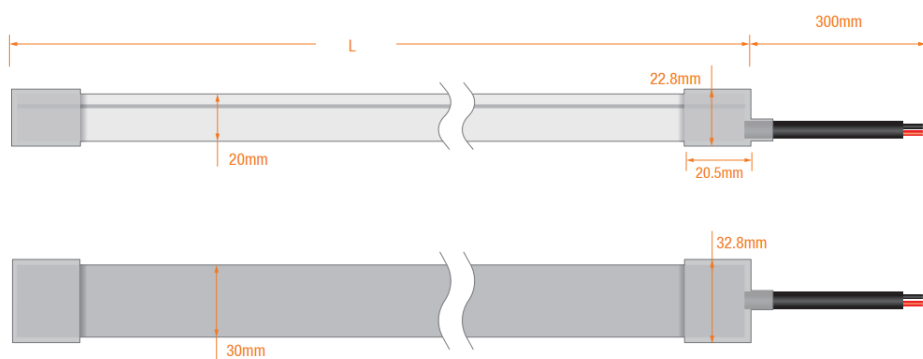
Lumen / meter TW: 1457 lm/m at ww+w

Accessories

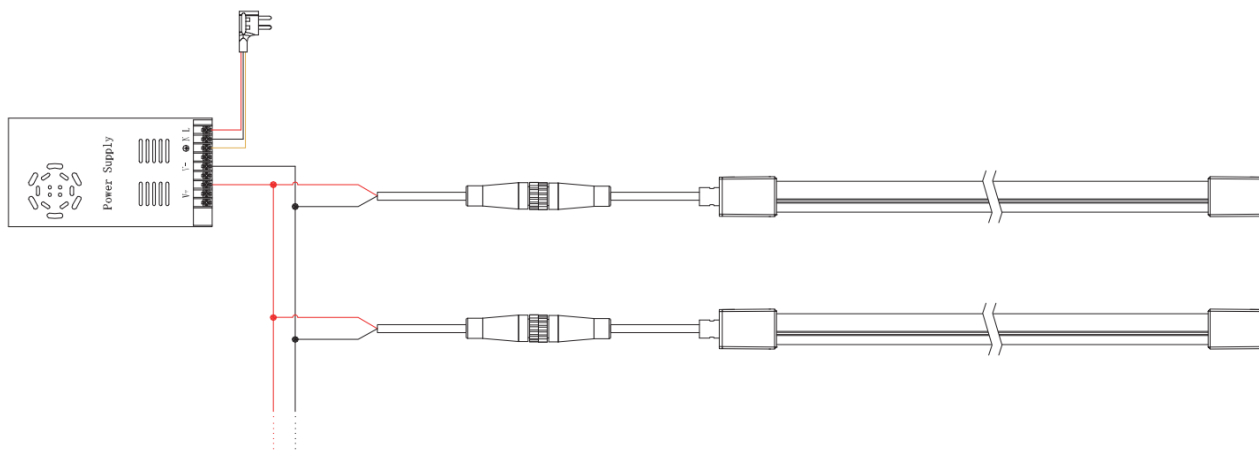
Aluminium profile 1000x33x20mm (L x W x H)	
Mounting Clips 20x33x20mm (L x W x H)	
End Caps IP67: 2 pin for WHT 3 pin for TW 4 pin for RGB 5 pin for RGBW	
Close End cap IP67	

Light color	Unit cut	Max.run length CV	Max.run length CC
2100K	50 mm	5 m	14 m
2400K	50 mm	5 m	14 m
2700K	50 mm	5 m	14 m
3000K	50 mm	5 m	14 m
3500K	50 mm	5 m	14 m
4000K	50 mm	5 m	14 m
5000K	50 mm	5 m	14 m
6000K	50 mm	5 m	14 m
TW	50 mm	5 m	-
R	50 mm	5 m	19 m
G	50 mm	5 m	14 m
B	50 mm	5 m	14 m
Y	50 mm	5 m	19 m
P	50 mm	5 m	14 m
RGB	41.66 mm	5 m	-
RGBW	41.66 mm		

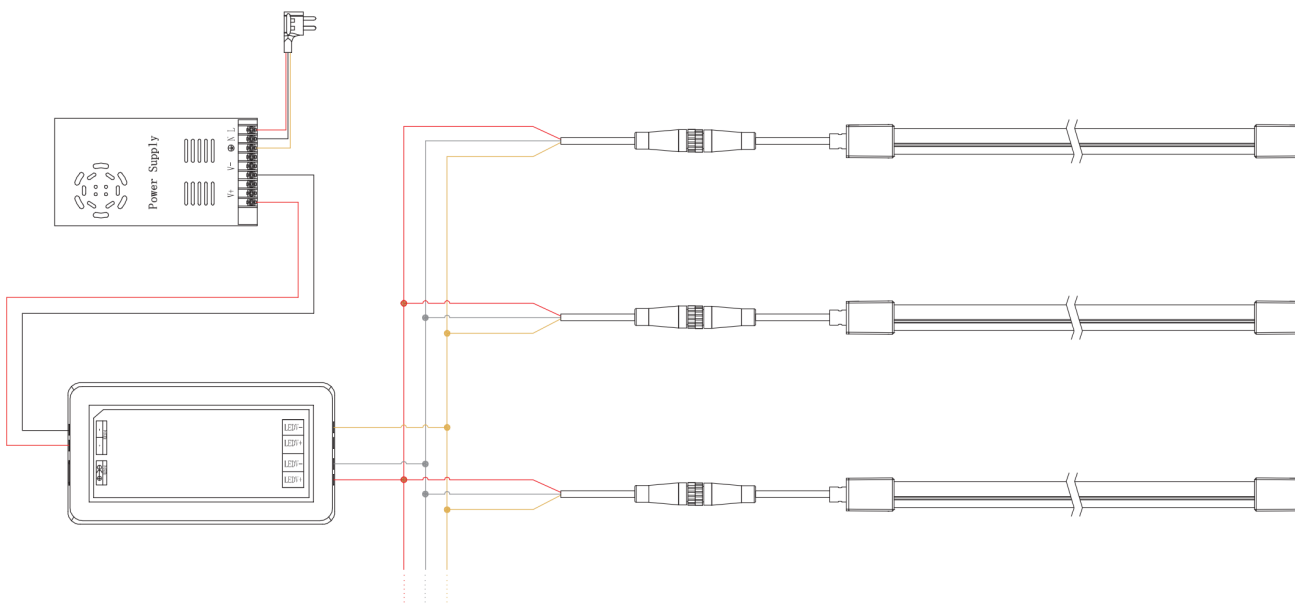
Dimensions



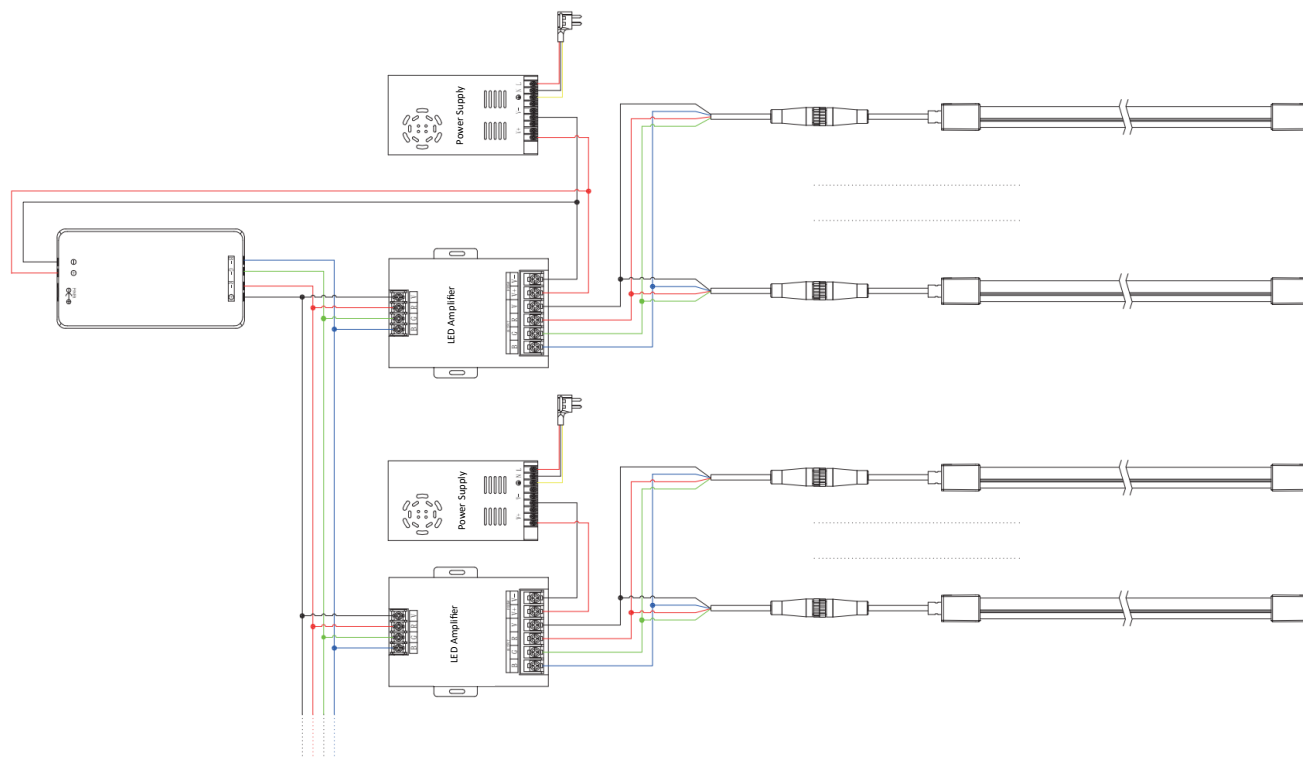
Connection Diagram



Single Color Connection Diagram



Tunable White Connection Diagram



RGB Connection Diagram

PRODUCTTYPE	Dimension	POWER	LIGHT COLOR
EE -NL	3020	/ 24 -	24
	30x20 mm	WATT/M	2400 KELVIN

SUMMARY PRODUCTCODES LED SELECONE NEON LIGHT 24WATT 30x20 mm

- EE-NL3020/24-21 EE-NL3020/24-TW
- EE-NL3020/24-24 EE-NL3020/24-R
- EE-NL3020/24-27 EE-NL3020/24-G
- EE-NL3020/24-30 EE-NL3020/24-B
- EE-NL3020/24-35 EE-NL3020/24-Y
- EE-NL3020/24-40 EE-NL3020/24-P
- EE-NL3020/24-50 EE-NL3020/24-RGB
- EE-NL3020/24-60

Accessories CODES FOR LED SELECONE NEON LIGHT 30x20 mm

EE-NLCL/30x20

EE-NLAP/30x20 -1000

