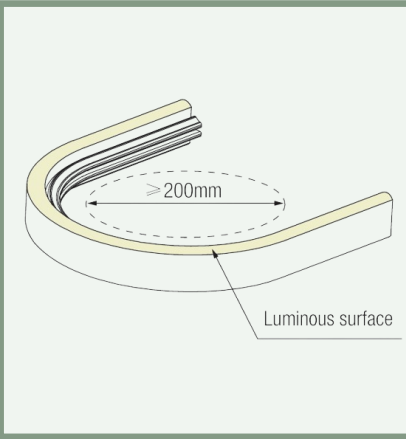
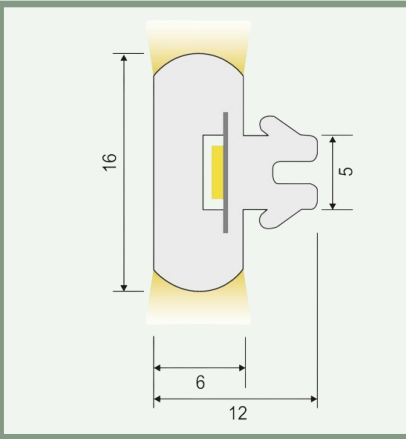
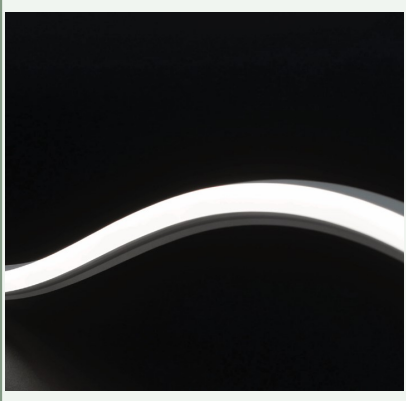


RECESSED

NEON FLEX

EE-NFD1216/10



10W/m



2400 - 6000K



52 - 60
lm/W



2x120°

TECHNICAL FEATURES

Power	10W/m
Input current	24 Vdc
Dimmable	PWM
IP rating	65
Max. amb. Temp.	-25°C up to 45°C

MEASUREMENTS AND MATERIAL FEATURES

Measurements	16 x 12 x 5000/10000 mm
Cutable every...	50 mm

LIGHTING CHARACTERISTICS COLORS

Light color	Red/Green/Blue/Yellow/ Pink/RGB
Beam angle	2x120°
CRI	—
SDCM	3
Lumen / meter	
Red	210 lm/m
Green	550 lm/m
Blue	110 lm/m
Yellow	210 lm/m
Pink	480 lm/m
RGB	220 lm/m at 10W

LIGHTING CHARACTERISTICS WHITE

Light color	2400/2700/3000/4000/6500K
Beam angle	2x120°
CRI	RA90+
SDCM	3
Lumen / watt	2400K: 52 lm/w 2700K: 52 lm/w 3000K: 55 lm/w 4000K: 60 lm/w 6500K: 55 lm/w
Lumen / meter	2400K: 520 lm/m 2700K: 520 lm/m 3000K: 550 lm/m 4000K: 600 lm/m 6500K: 550 lm/m

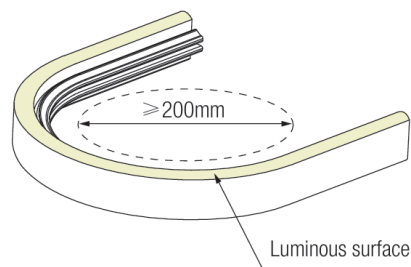
LIGHTING CHARACTERISTICS TUNABLE WHITE

Light color	Tunable white 2700 to 6500K
CRI	RA90+
SDCM	3
Lumen / meter	TW: 580 lm/m at 4000K 10W

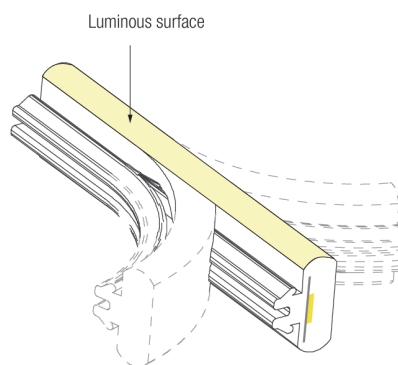
LIGHTING CHARACTERISTICS DMX512 DIGITAL RGB 12.5W

Light color	RGB
CRI	—
SDCM	3
Lumen / meter	220 at RGB

Light color	Unit cut	Max.run length CV	Max.run length CC
2400K	50 mm	5m	13 m
2700K	50 mm	5 m	13 m
3000K	50 mm	5m	13 m
4000K	50 mm	5m	13 m
6500K	50 mm	5m	13 m
TW	62.5 mm	5 m	—
Red	50 mm	5m	17 m
Green	50 mm	5 m	13 m
Blue	50 mm	5m	13 m
Yellow	50 mm	5 m	17 m
Pink	50 mm	5 m	13 m
RGB	50 mm	5 m	—
RGB DMX	100 mm	5m	—

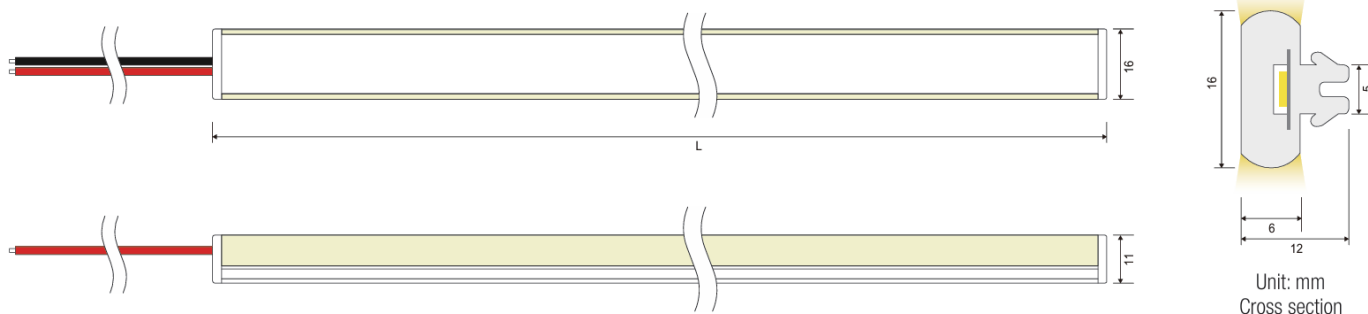


Min bending diameter



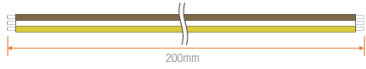







Bend horizontal only

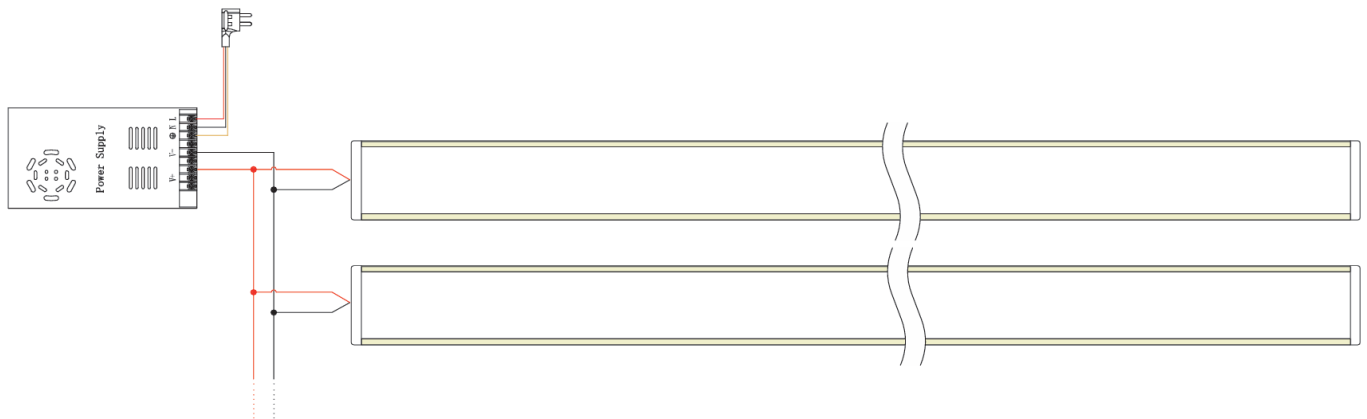
Dimensions:



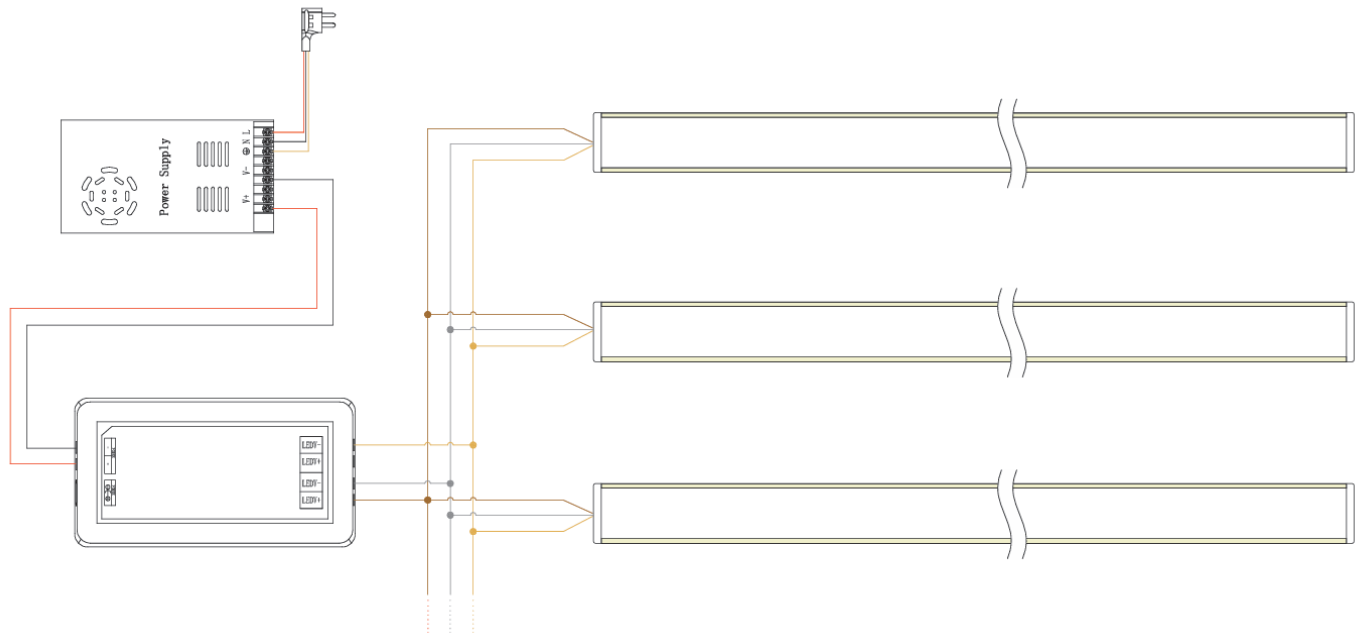
Cable Type:

Cable Type	Schematic Diagram	Specification	Core	Electrical Properties
PVC Cable		20AWG Red&Black 2-core Cable		Red V+ , Black V-
		20AWG Brown&White&Yellow 3-core Cable		Dual-White: Brown V+ , White W- , Yellow WW
		20AWG Red&Green&Black 3-core Cable		Digital RGB: Red V+ , Green DI/DO , Black GND
		20AWG Black&Blue&Red&Green 4-core Cable		Black V+ , Blue B- , Red R , Green G

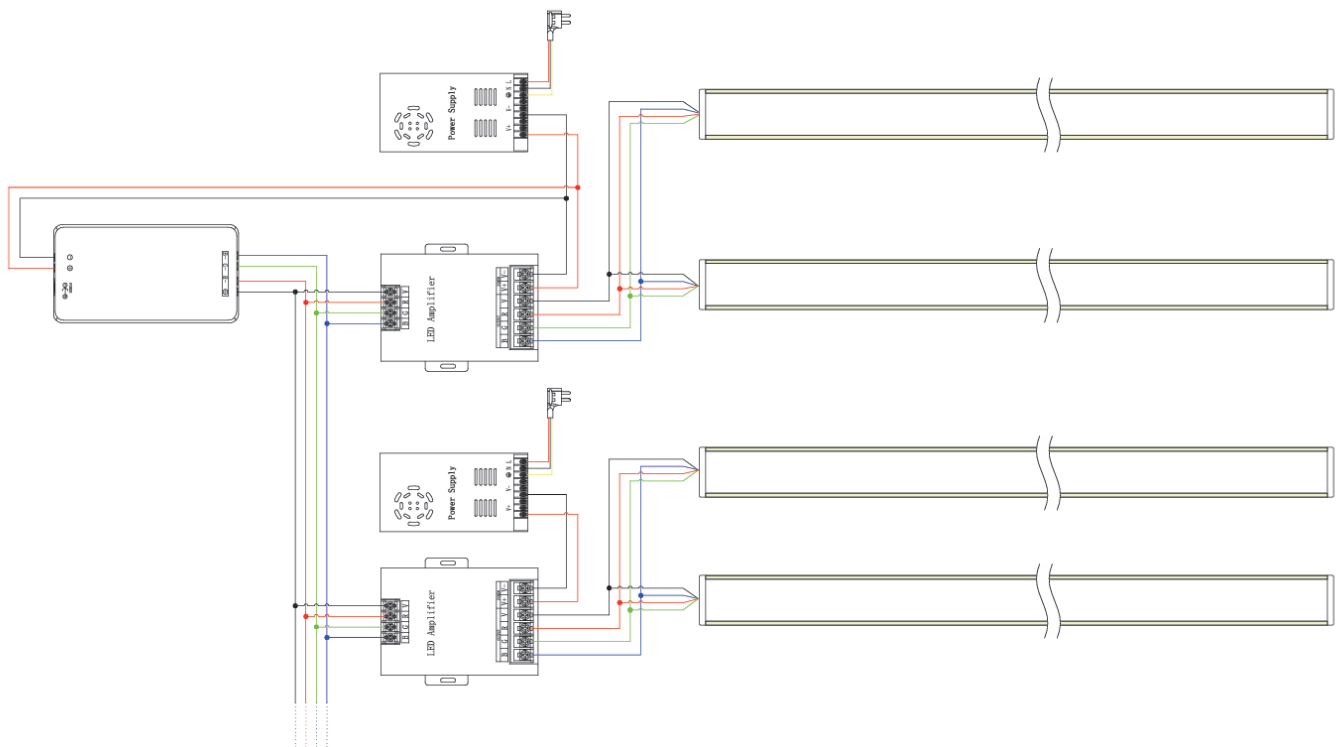
Single Color Connection Diagram:



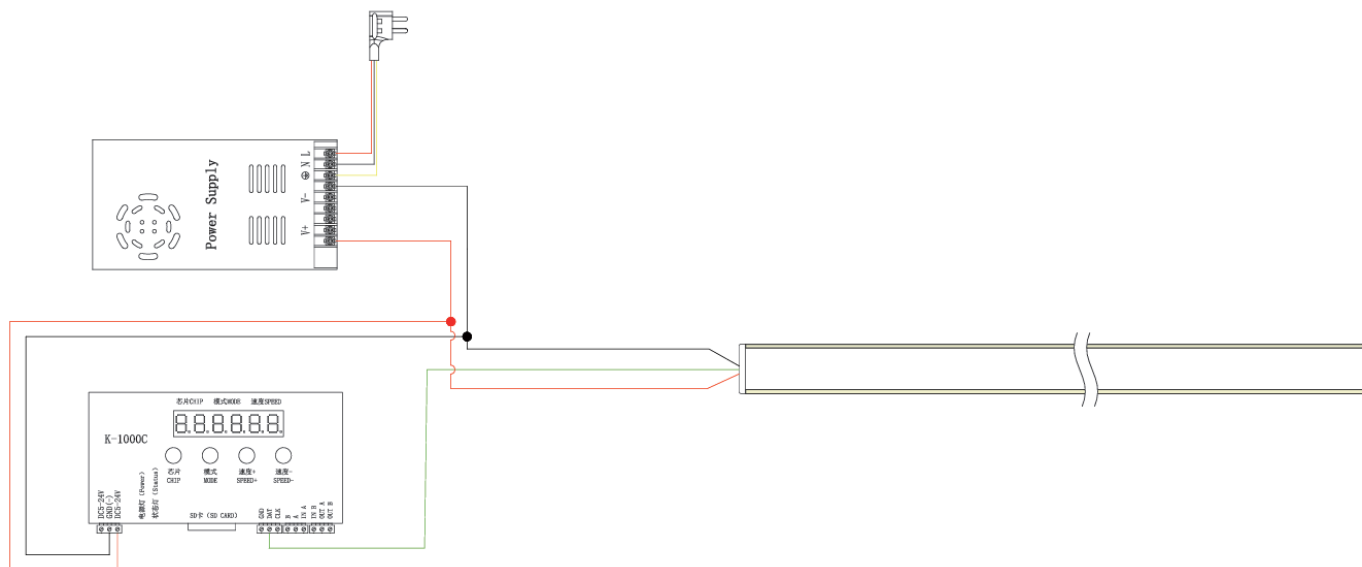
Tunable white Connection Diagram:



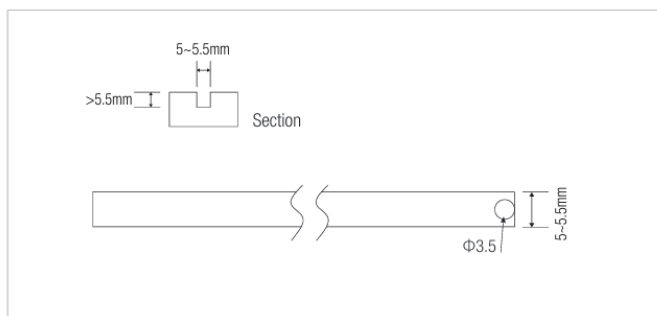
RGB Connection Diagram:



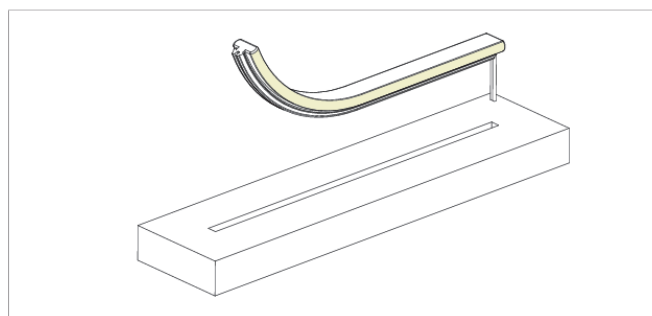
Digital RGB Connection Diagram:



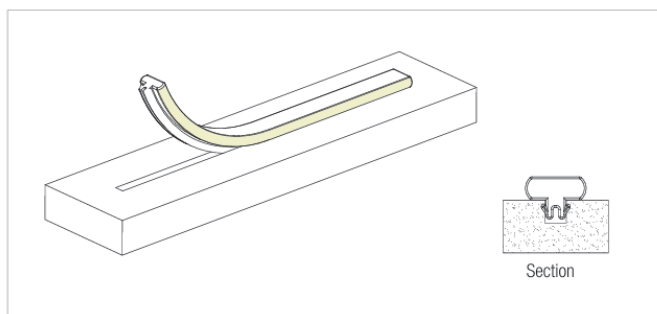
Installation Steps:



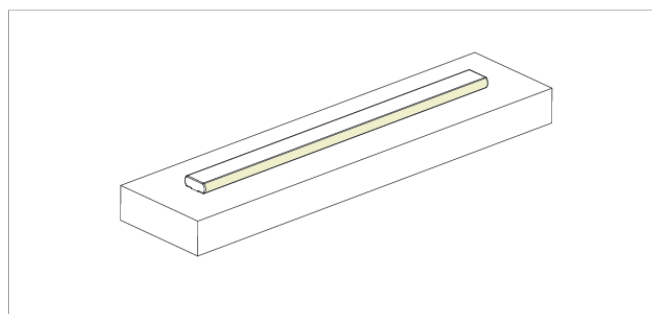
1. Make grooves and outlet holes according to the dimensions shown in the picture.



2. Pass the cable of the light through the reserved hole as shown in the figure.



3. Align the light to the groove, press the glowing surface of the light, and fully embed the light into the groove.



4. Completed.